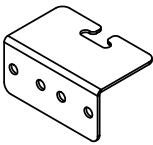
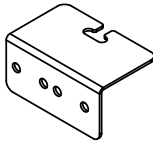
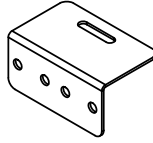


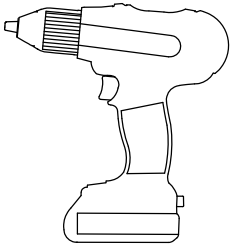


PRIOR TO ASSEMBLY:

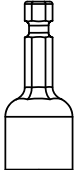
1. INSPECT ALL PACKAGING FOR DAMAGE.
2. REPORT ANY DAMAGE TO THE SHIPPER FOR POTENTIAL REIMBURSEMENT.
3. UNPACK MOUNTING KIT AND INSPECT CONTENTS FOR DAMAGE AND CORRECT QUANTITIES (USE THE FOLLOWING TABLE FOR REFERENCE).

<p>QTY. 2 (7FT KIT)</p>  <p>UNIVERSAL TOP BRACKET, 7FT "Q-SERIES" VERTICAL MANAGEMENT MM6E ATTACHMENT</p>	<p>QTY. 2 (8FT KIT)</p>  <p>UNIVERSAL TOP BRACKET, 8FT "Q-SERIES" VERTICAL MANAGEMENT MM6E ATTACHMENT</p>	<p>QTY. 4 (7FT & 8FT KIT)</p>  <p>UNIVERSAL LOWER BRACKET, "Q-SERIES" VERTICAL MANAGEMENT MM6E ATTACHMENT</p>
<p>QTY. 12 (7FT & 8FT KIT)</p>  <p>5/16"-12, 1/2" LONG THREAD FORMING SCREW</p>	<p>QTY. 6 (7FT & 8FT KIT)</p>  <p>1/4"-20, 3/8" LONG SCREW WITH EXTERNAL TOOTH LOCK WASHER</p>	

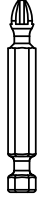
**FOR THIS
INSTALLATION, THE
FOLLOWING TOOLS
ARE REQUIRED:**



CORDLESS DRILL
WITH ADJUSTABLE
TORQUE SETTING OR
SAE SOCKET SET



1/2" NUT DRIVER

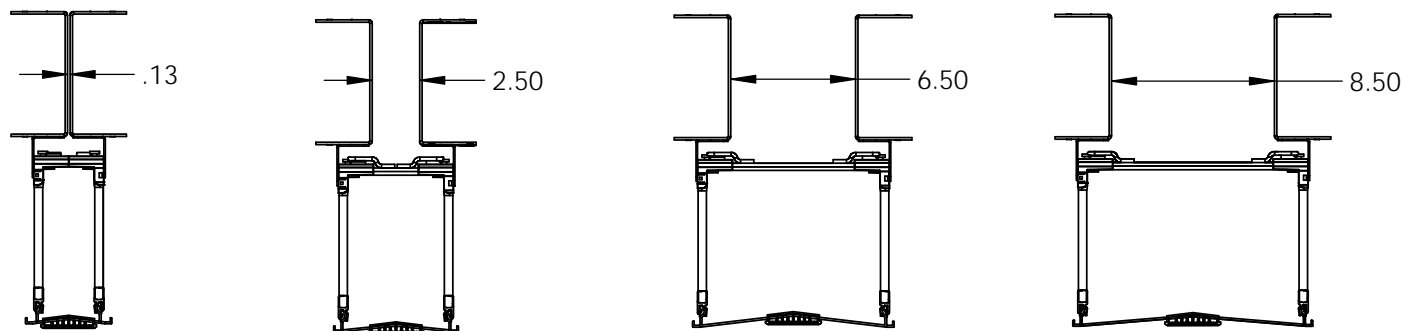


NO. 3 PHILLIPS HEAD
DRIVER BIT

PRIOR TO INSTALLATION OF THE MOUNTING KIT, ENSURE THAT THE VERTICAL CABLE MANAGER IS ASSEMBLED AS SHOWN IN THE INSTRUCTION SHEET 71601933.

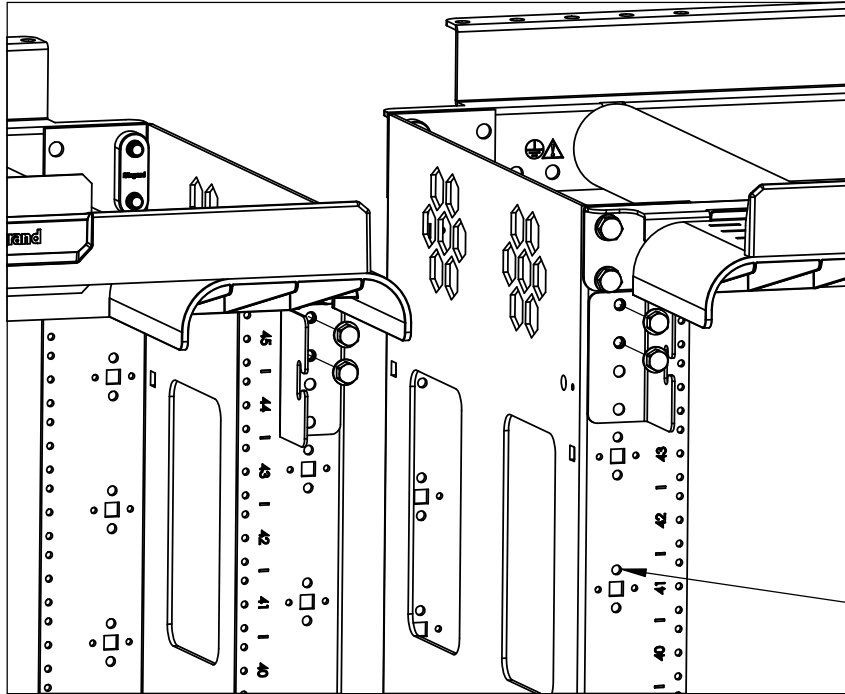
VERIFY THAT THE MM6 RACKS ARE SQUARE, PLUMB AND SPACED ACCORDING TO THE RACK INSTALLATION INSTRUCTIONS. INSTRUCTIONS WILL ACCOMMODATE 4 INCH, 6 INCH, 10 INCH OR 12 INCH WIDE Q-SERIES VERTICAL CABLE MANAGERS.

RACK TO RACK SPACING

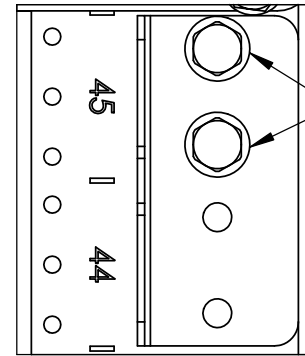


STEP 1:

INSTALL THE UNIVERSAL TOP BRACKETS AT THE TOP OF THE RACKING SYSTEM USING TWO OF THE PROVIDED THREAD FORMING SCREWS PER BRACKET. FOR A 7 FT RACKING SYSTEM, THE TOP OF THE BRACKET WILL ALIGN WITH U-HEIGHT MARKING NUMBER 45. FOR AN 8 FT RACKING SYSTEM, THE TOP OF THE BRACKET WILL ALIGN WITH U-HEIGHT MARKING NUMBER 51. REFER TO THE PICTURES BELOW FOR THE CORRECT ORIENTATION.

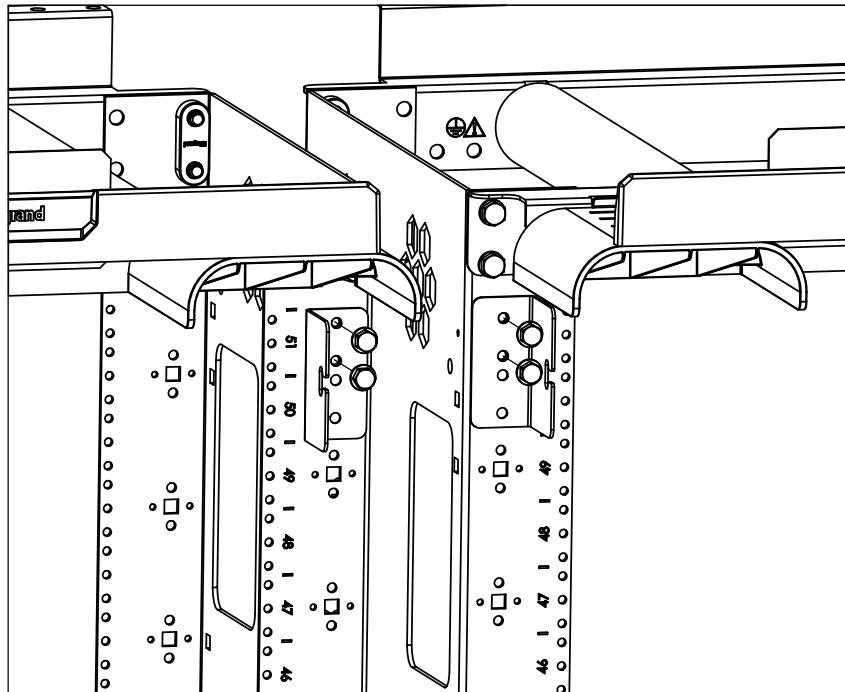


7 FOOT RACK
KIT # 60401478

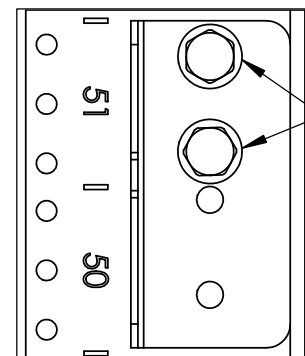


USE TOP TWO
BRACKET
HOLES IN (4)
HOLE PATTERN

TYPICAL (4)
HOLE MOUNTING
PATTERN



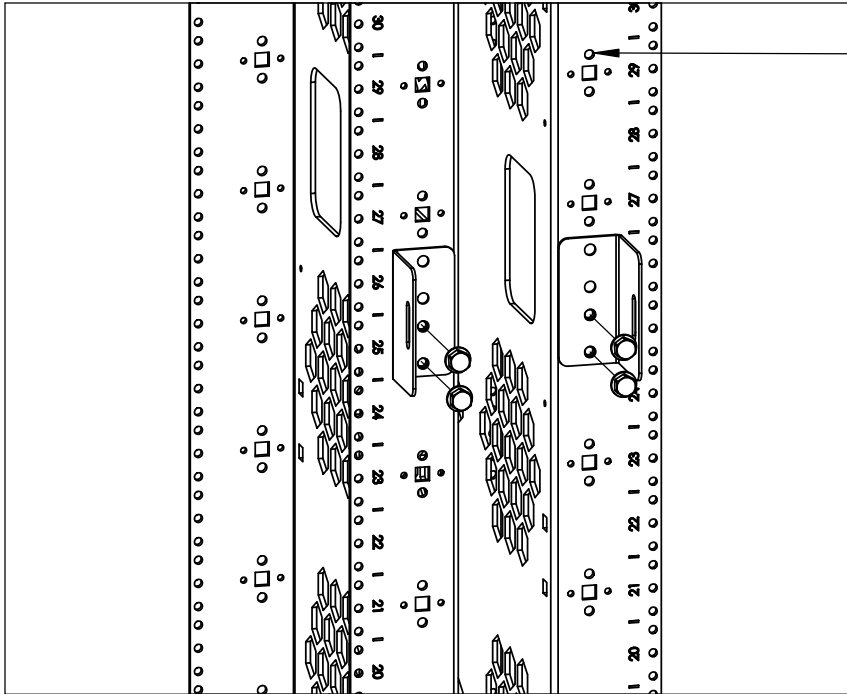
8 FOOT RACK
KIT# 60401477



USE TOP TWO
BRACKET
HOLES IN (4)
HOLE PATTERN

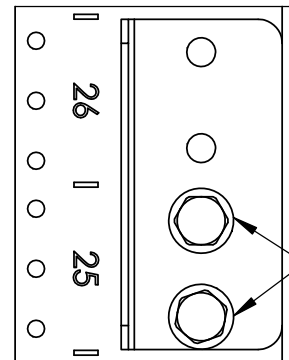
STEP 2:

INSTALL THE UNIVERSAL LOWER BRACKETS ON THE MIDDLE OF THE RACKING SYSTEM USING TWO OF THE PROVIDED THREAD FORMING SCREWS PER BRACKET. FOR BOTH 7FT AND 8FT RACKING SYSTEMS, THE TOP OF THE BRACKET WILL ALIGN WITH U-HEIGHT MARKING NUMBER 26. REFER TO THE PICTURES BELOW FOR THE CORRECT ORIENTATION.



TYPICAL (4)
HOLE MOUNTING
PATTERN

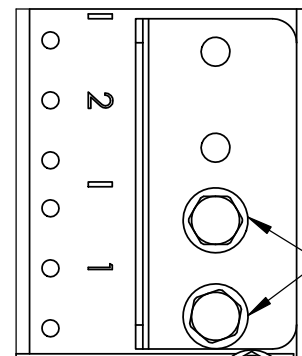
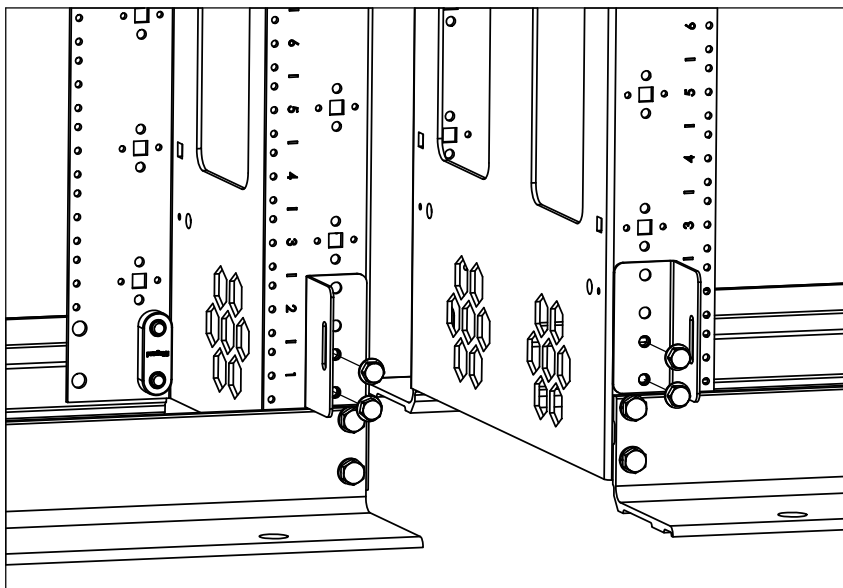
7 FOOT RACK
KIT# 60401478
8 FOOT RACK
KIT# 60401477



USE BOTTOM
TWO BRACKET
HOLES IN (4)
HOLE PATTERN
FOR BOTH 7FT
AND 8FT RACKS

STEP 3:

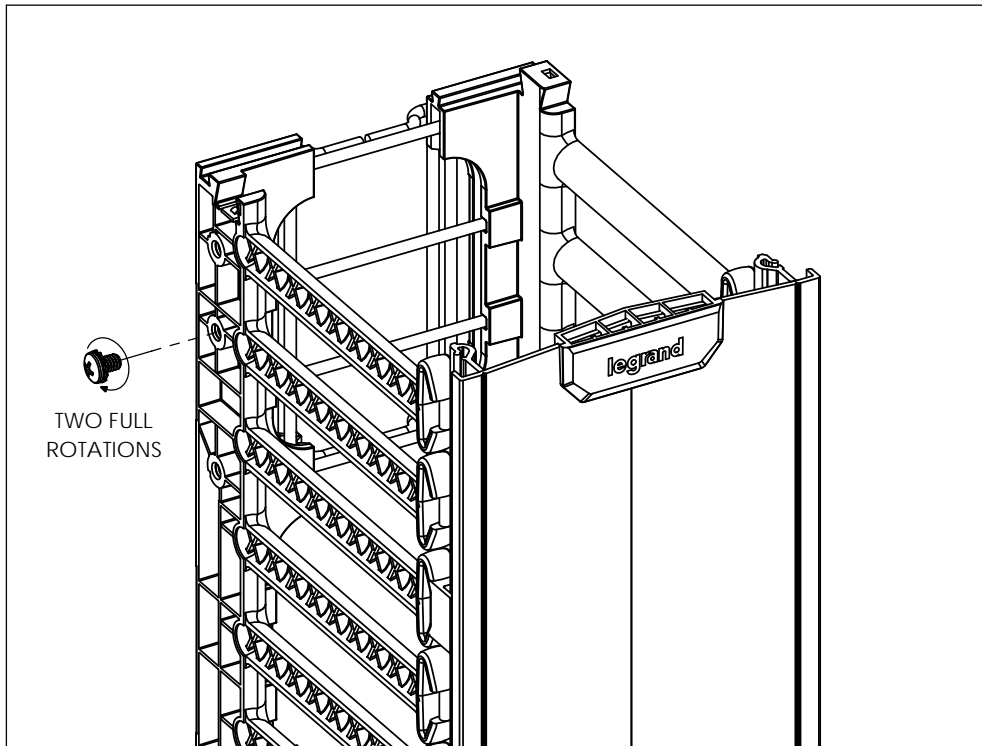
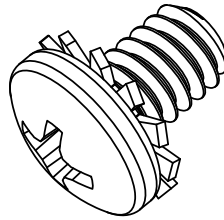
INSTALL THE UNIVERSAL LOWER BRACKETS ON THE BOTTOM OF THE RACKING SYSTEM USING TWO OF THE PROVIDED THREAD FORMING SCREWS PER BRACKET. FOR BOTH 7FT AND 8FT RACKING SYSTEMS, THE TOP OF THE BRACKET WILL ALIGN WITH U-HEIGHT MARKING NUMBER 2. REFER TO THE PICTURES BELOW FOR THE CORRECT ORIENTATION.



USE BOTTOM
TWO BRACKET
HOLES IN (4)
HOLE PATTERN
FOR BOTH 7FT
AND 8FT RACKS

STEP 4:

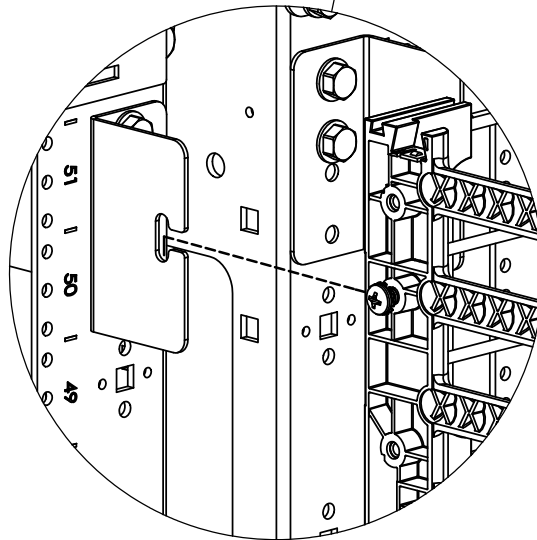
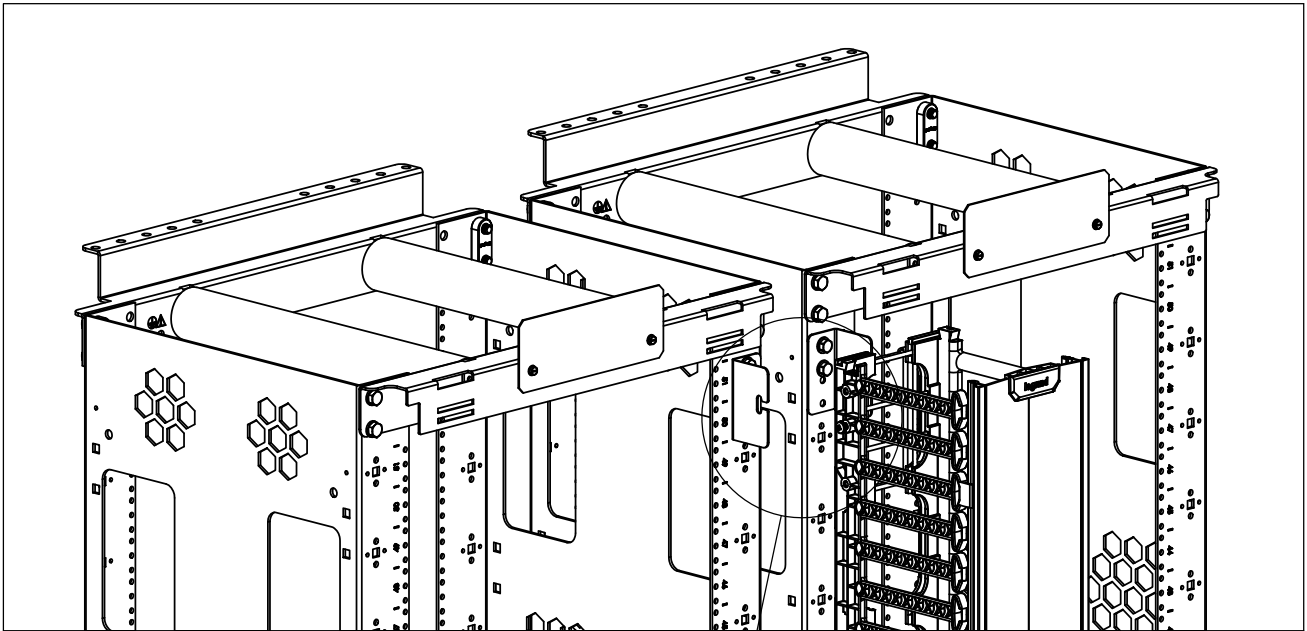
TO INSTALL THE VERTICAL MANAGER ONTO THE 7FT AND 8FT RACKING SYSTEMS, THREAD THE PROVIDED 1/4"-20 SCREW TWO FULL TURNS INTO THE SECOND THREADED INSERT DOWN FROM THE TOP OF THE FINGER SECTION. REFER TO THE PICTURES BELOW FOR CORRECT SCREW SELECTION AND LOCATION. PERFORM THIS STEP ON BOTH SIDES OF THE VERTICAL MANAGER.



REMINDER: Q-SERIES VERTICAL MANAGER SHOULD BE ASSEMBLED AS OUTLINED IN MM6E SECTION OF INSTALLATION MANUAL 71601933

STEP 5:

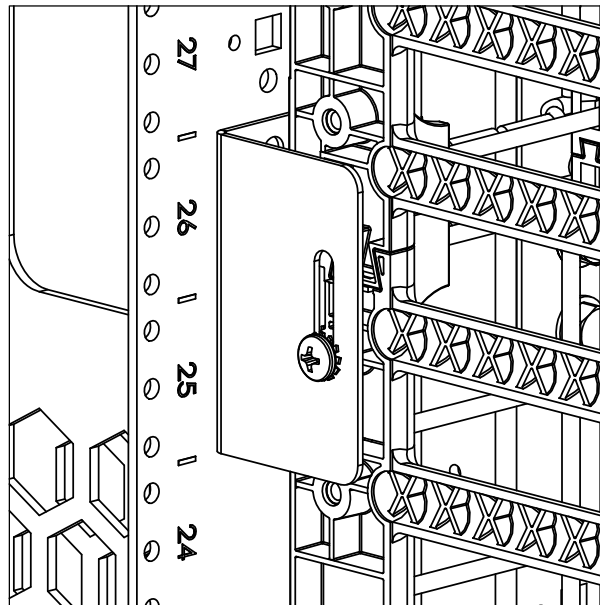
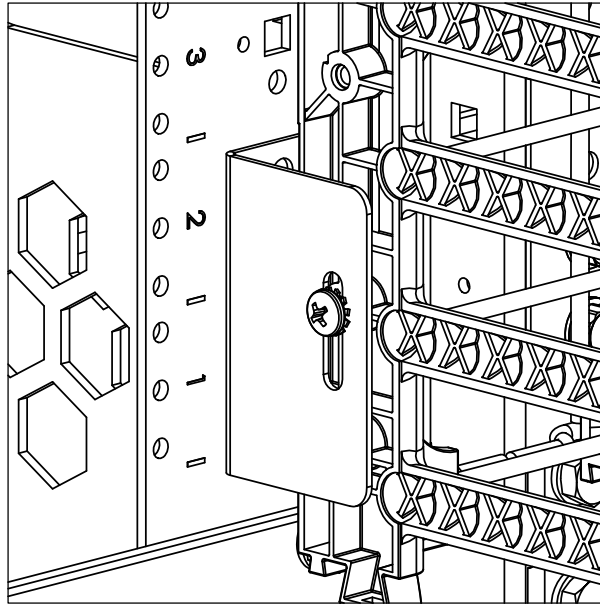
FOR BOTH THE 7FT AND 8FT RACKING SYSTEM, LIFT THE VERTICAL MANAGER INTO POSITION BY ALIGNING THE SCREWS INSTALLED IN STEP 4 WITH THE OPENINGS IN THE TOP BRACKETS AND LOWER IT INTO THE SLOTS AS SHOWN IN THE PICTURE BELOW. (WATERFALLS AND WATERFALL EXTENSION REMOVED FOR CLARITY)



BE SURE THAT THE LOCK
WASHER IS INSTALLED ON
THE OUTSIDE OF THE BRACKET

STEP 6:

USING THE SAME SCREW USED IN STEP 4, SCREW THE VERTICAL MANAGER TO THE BRACKETS AS SHOWN IN THE PICTURES BELOW, STARTING WITH THE BOTTOM BRACKET. DO NOT FULLY TIGHTEN THE SCREWS UNTIL ALL BRACKETS ARE ALIGNED. REPEAT THIS STEP FOR BOTH SIDES OF THE VERTICAL MANAGER.



STEP 7:

TIGHTEN MOUNTING HARDWARE TO A MAXIMUM OF 5 FT-LBS TO ENSURE STABILITY OF ASSEMBLY.

INSTALLATION IS NOW COMPLETE.