

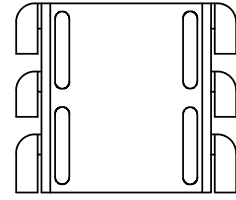
**NOTES**

1. MAXIMUM MOUNTED PATCH PANEL LOAD SHALL NOT EXCEED 50 LBS.
2. SEE SHEET 2 FOR MOUNTING OPTIONS TO CABLE TRAYS.

INSTRUCTION SHEET #: OR-71601927	REV: 00	ECN #:	SHEET: 1 of 2	DWN BY: JS	DATE: 2/10/2017	CHK BY: JQ	DATE: 2/10/2017	APP. BY: CV	DATE: 2/15/2017
-------------------------------------	------------	--------	------------------	---------------	--------------------	---------------	--------------------	----------------	--------------------

### STEP 1

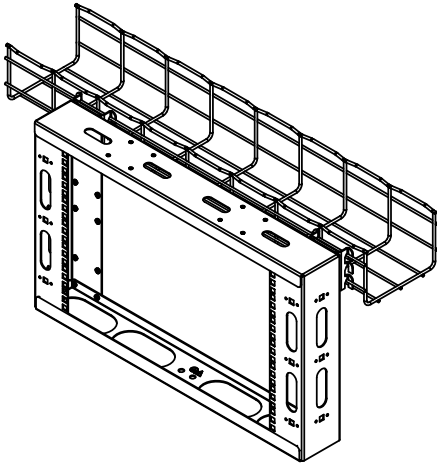
DETERMINE IF THE MOUNTING EQUIPMENT WILL MOUNT TO EITHER A CABLE TRAY OR CEILING MOUNT (THREADED RODS OR HANGERS NOT SUPPLIED).



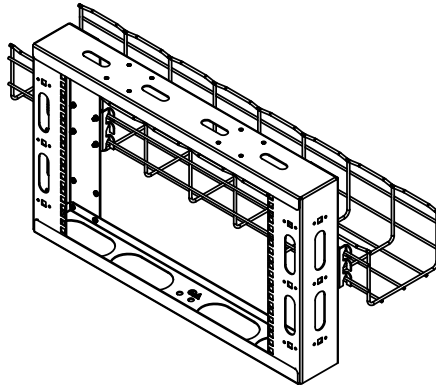
CABLE TRAY BRACKET

### STEP 2

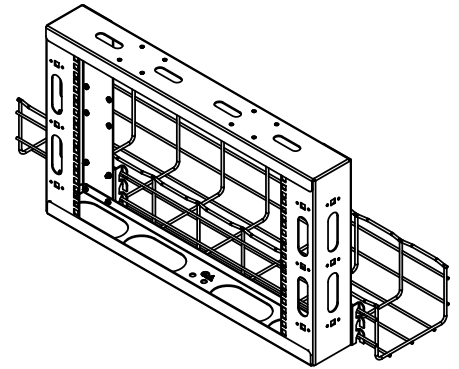
DETERMINE THE MOUNTING POSITION OF THE UNIT. THE MOUNTING OPTIONS ARE: REAR TOP, REAR MIDDLE, REAR BOTTOM, UNDERNEATH PARALLEL, UNDERNEATH PERPENDICULAR.



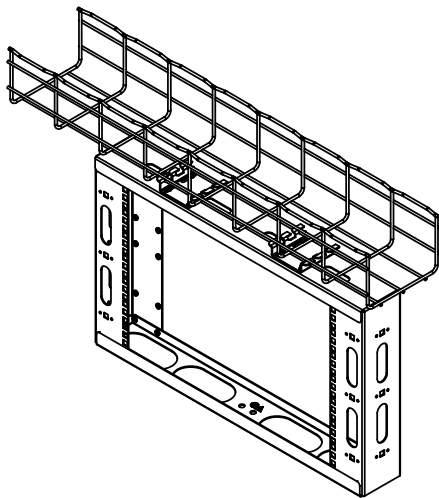
CABLE TRAY  
TOP MOUNTING



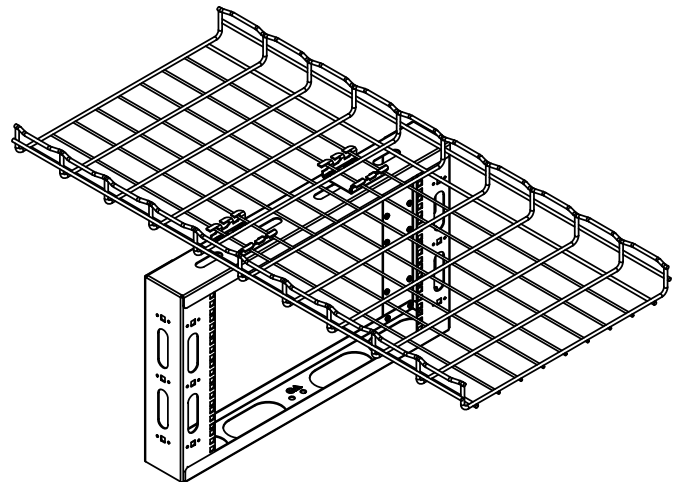
CABLE TRAY  
MIDDLE MOUNTING



CABLE TRAY  
BOTTOM MOUNTING



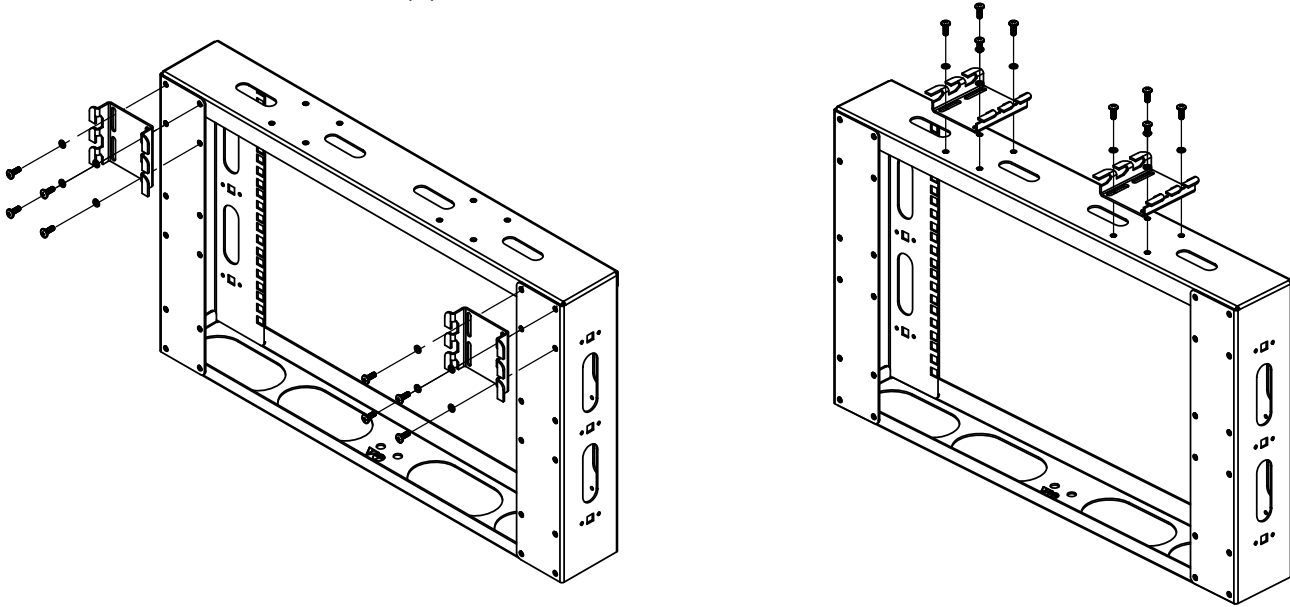
UNDERNEATH PARALLEL



UNDERNEATH PERPENDICULAR

### STEP 3

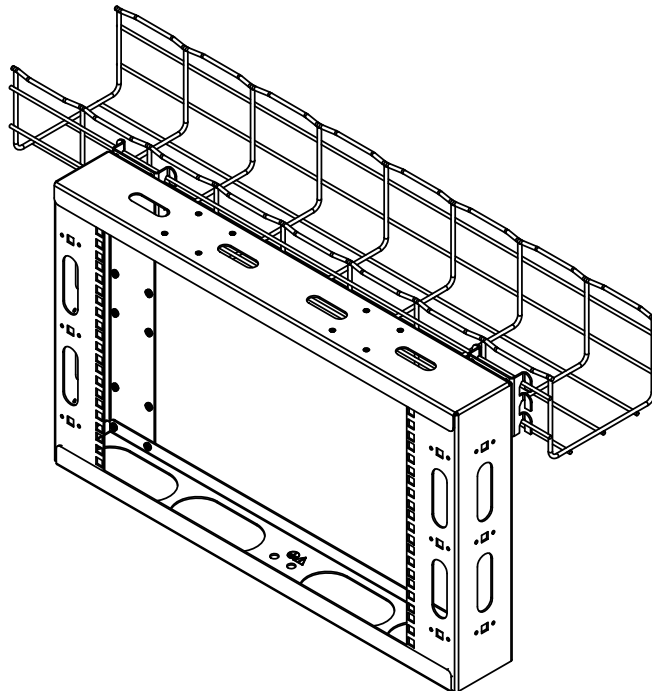
ONCE THE MOUNTING LOCATION IS DETERMINED, MOUNT 2 CABLE TRAY BRACKETS USING (8) SPLIT LOCK WASHERS AND (8) PAN HEAD SCREWS.



CABLE TRAY BRACKETS

### STEP 4

HANG ASSEMBLY ONTO CABLE TRAY WHERE REQUIRED.



INSTALLATION IS NOW COMPLETE.

INSTRUCTION SHEET #: OR-71601927	REV: 00	ECN #:	SHEET: 3 of 3	DWN BY: JPS	DATE:	CHK BY: JQ	DATE: 2/10/2017	APP. BY: CV	DATE: 2/15/2017
-------------------------------------	------------	--------	------------------	----------------	-------	---------------	--------------------	----------------	--------------------