

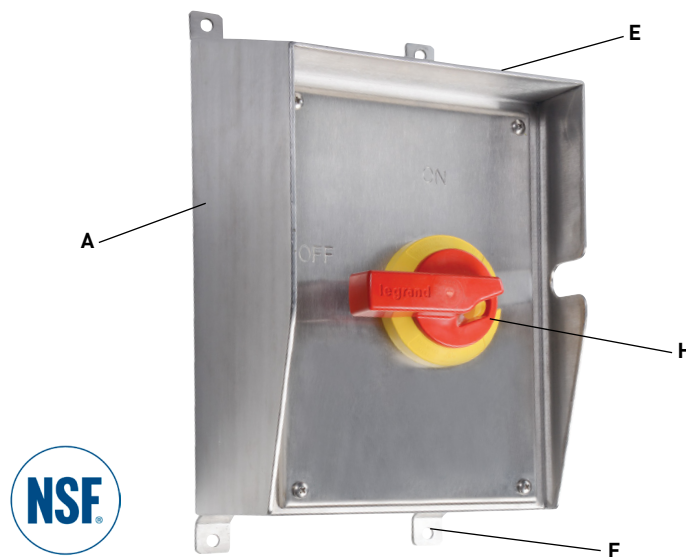


Maximize corrosion resistance.

PSDS30SR, PSDS60SR, PSDS60HPSR, PSDS100SR

Legrand's 316-Grade Sloped-Roof Stainless Steel Safety Switches are designed to provide superior corrosion resistance in harsh environments like food and beverage processing plants where wash-down/hose-down at extreme temperatures is a daily necessity, as well as in applications where salts, acids and chemicals are prevalent. Legrand's Sloped-Roof Stainless Steel Safety Switches with NEMA 4X/12, IP66/67/69 ratings are the best solution for durability and personnel safety in any environment.

Features & Benefits




PSDS60SR

- A. Type 316 grade stainless steel** provides superior resistance to corrosion.
- B. 6 conduit entry points** for flexible installation options.
- C. Certified by the National Sanitation Foundation (NSF)** for hygiene requirements in food and beverage processing.
- D.** Can accommodate up to **3 sets of auxiliary contacts** for control circuit applications.
- E. 15° sloped roof** helps to facilitate run-off and minimize the harborage of contaminants.
- F. 3/4" standoffs on mounting feet** allow adequate space for runoff and inspection behind the switch.
- G.** Water- and dust-tight enclosure rated **NEMA 4X/12** and **IP66/67/69** for protection against high-pressure, high-temperature water from multiple directions.
- H. High-visibility yellow and red handle** can be padlocked to meet OSHA lockout/tagout requirements.
- I. Available breather drain** for field installation.*

*Installation of breather drain brings switch rating to IP66 and NEMA 4X.

3rd Party Compliance

 UL US LISTED UL Listed 767A File #E31169; Complies with CSA standards; NSF Approved; NEMA 4X, 12; IP66, IP67, IP69; OSHA Compliant

Technical Information

Performance

Electrical

Dielectric Voltage Withstand	3000V minimum
Maximum Working Voltage	600V RMS
Current Interrupting	Listed for current interrupting at full-rated current and voltage
Short Circuit Withstand Rating	For use on circuit capable of delivering not more than (see chart on back page) RMS amps at 600VAC
Operations	Mechanical: 10,000 cycles Electrical: 10,000 cycles
Auxiliary Contacts (optional)	10A @ 600VAC; 1 N.O. & 1 N.C.

Mechanical

Impact Resistance	Per UL746C
Terminal Identification	Per UL and CSA
Product Identification	Identification and rating on external and internal labels
Mounting	External adjustable feet with five (5) positions* Can be mounted directly to channel or strut

Environmental

Moisture Resistance	Per UL50, section 35, NEMA Enclosure Type 4X (watertight, hosedown) Per UL50, section 35, NEMA Enclosure Type 12 (dusttight, falling dirt) • IP66/67/69
Flammability	UL94 5VA and VO Classification
Operating Temperature	Maximum continuous: +60°C Minimum continuous: -50°C without impact
UV Resistance	All enclosure materials are UV stabilized

*Mounting feet are welded to enclosure with 3/4" standoff.

Materials

Enclosure Cover	316 Stainless Steel – 14 Gauge on 30A; 12 Gauge on 60/100A
Enclosure Base	316 Stainless Steel – 14 Gauge
Enclosure DIN Rail	316 Stainless Steel
Switch Handle	Valox 357®
Switch Base	Valox 357®
Switch Key	14% Glass-Filled Nylon
Cover Gasket	Silicone Foam
Handle Gasket	Silicone Foam
Mounting Feet	316 Stainless Steel – 12 Gauge
Cover Screws	316 Stainless Steel
Cover Screw O-Ring	Neoprene
Assembly Screws/Hardware	300 Series Stainless Steel

Country of Origin: United States

Warranty

Limited Lifetime Warranty



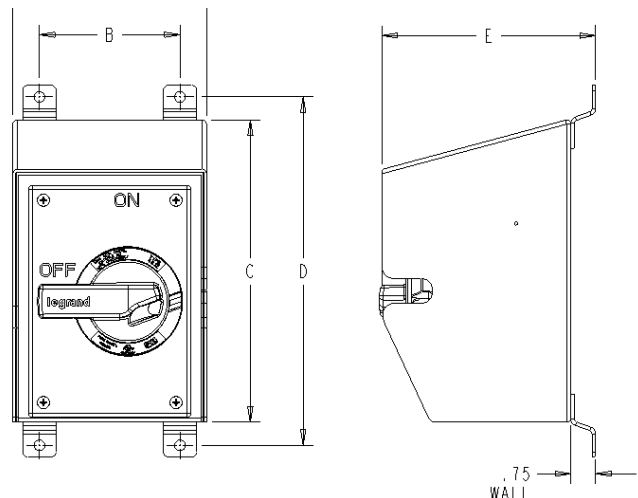
PSDS60SR, PSDS100SR



PSDS30SR

Mounting Dimension Table (inches)

	A	B	C	D	E
30 Amp	5.84	4.24	9.10	10.50	6.52
60/100 Amp	8.30	6.70	12.64	14.03	7.10



Ordering Information

Sloped-Roof Stainless Steel Safety Switches

VOLTAGE	MAXIMUM HORSEPOWER RATING	SLOPED-ROOF SAFETY SWITCH CATALOG NO.	SLOPED-ROOF SAFETY SWITCH WITH AUXILIARY CONTACT**	SLOPED-ROOF SAFETY SWITCH WITH 3 AUXILIARY CONTACTS**	AUXILIARY CONTACT KIT*	REPLACEMENT SWITCH	REPLACEMENT SWITCH WITH AUXILIARY CONTACT	REPLACEMENT SWITCH WITH 3 AUXILIARY CONTACTS	REPLACEMENT COVER FOR STANDARD SWITCH	REPLACEMENT COVER FOR AUXILIARY TYPE	BREATHER DRAIN FOR FIELD INSTALLATION***
30 AMPS	600VAC										
120VAC	1 HP	PSDS30SR	PSDS30AXSR	PSDS30AX3SR	AX30	RS30	RS30AX	RS30AX3	PSDS30RC	PSDS30AXRC	PSDB4
208VAC	2 HP										
240VAC	5 HP										
277VAC	3 HP										
480VAC	5 HP										
600VAC	5 HP										
3ø 240VAC	10 HP										
3ø 480VAC	20 HP										
3ø 600VAC	25 HP										
60 AMPS	600VAC										
120VAC	2 HP	PSDS60SR	PSDS60AXSR	—	AXD60	RS60	RS60AX	—	PSDS60RC	PSDS60AXRC	PSDB4
240VAC	7.5 HP										
277VAC	7.5 HP										
480VAC	10 HP										
600VAC	10 HP										
3ø 240VAC	15 HP										
3ø 480VAC	30 HP										
3ø 600VAC	40 HP										
60 AMPS HP	600VAC										
120VAC	3 HP	PSDS60HPSR	PSDS60HPAXSR	—	AX60	RS60HP	RS60HPAX	—	PSDS60HPRC		PSDB4
240VAC	10 HP										
277VAC	15 HP										
480VAC	20 HP										
600VAC	30 HP										
3ø 240VAC	25 HP										
3ø 480VAC	50 HP										
3ø 600VAC	50 HP										
100 AMPS	600VAC										
120VAC	5 HP	PSDS100SR	PSDS100AXSR	—	AX60	RS100	RS100AX	—	PSDS100RC		PSDB4
240VAC	15 HP										
277VAC	15 HP										
480VAC	30 HP										
600VAC	30 HP										
3ø 240VAC	25 HP										
3ø 480VAC	50 HP										
3ø 600VAC	50 HP										

*For replacement of side mount auxiliary contact on previous design.

**Auxiliary contacts break before switch contacts break for use with VFD.

***Installation of breather drain brings switch rating to IP66 and NEMA 4X.

Interrupting Ratings — RMS Symmetrical Amperes

Short Circuit Ratings: Suitable for use on circuits capable of delivering not more than (see chart below for cat. no. and application) RMS symmetrical amperes, 600VAC maximum.


Cat No.	KA	Fuse/Breaker	Max Size
PSDS30SR (AX)	10	RK1	—
	65	Class J	40A
PSDS60SR (AX)	10	RK1	125A
	65	Class J	70A
PSDS60HPSR (AX)	10	RK1	—
	10	GE Circuit Breaker	—
	65	Class J	100A

Stainless Steel Safety Switches are ideal for a wide range of applications including:

- Poultry Processing
- Seafood Processing
- Meat Processing
- Pharmaceutical Processing
- Food Packaging
- Food Preparation
- Agriculture
- Beverage Processing
- Health Care

Also available...

- Mechanical Interlocks
- Flexcor® Wire Mesh Grips
- Turnlok® Locking Devices
- Portable GFCI
- IEC 309 Industrial Products
- Straight Blade Plugs & Connectors
- Ground Continuity Monitoring (GCM)

 The paper used to print this document is an environmentally responsible paper with 10% post consumer waste, with FSC and SFI Chain of Custody certifications, Lacey Act compliant. 100% of the electricity used to manufacture Flo sheets is generated with Green-e certified renewable energy.

All brand and product names referenced in this document are registered trademarks or trademarks of their respective holders.

For covering patents, see www.legrand.us/patents



Legrand, North America
60 Woodlawn Street
West Hartford, CT 06110
1.877.BY.LEGRAND (295.3472)
www.legrand.us

905.738.9195
www.legrand.ca

FOLLOW US

