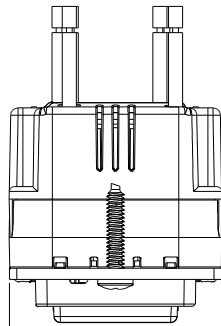
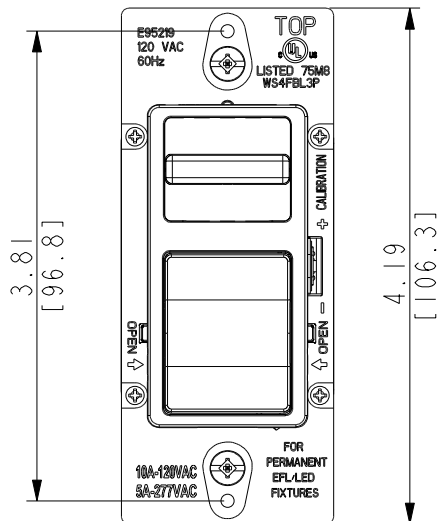


2

REV	EC. NO.	DATE	DESCRIPTION	DFTR	CK.
A			Initial Release		

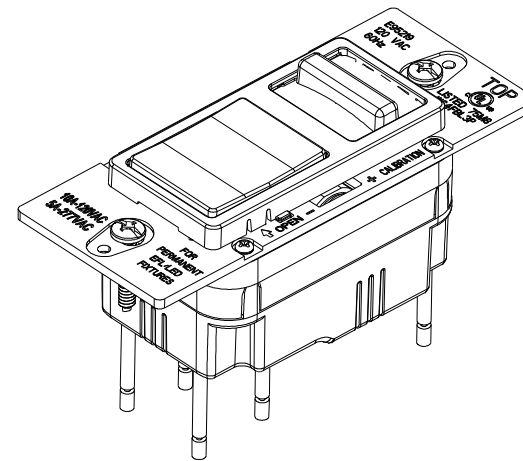
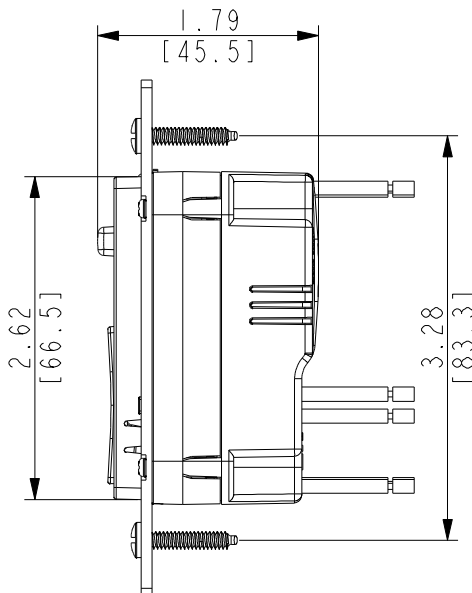


1.72
[43.7]



3.81
[96.8]

4.19
[106.3]



B

B

A

A

3rd Party Compliance:

cULus LISTED

Ratings: 120VAC 10A , 277VAC 5A

Single Pole/3-Way, EFL, LED

Termination: Back and Side Wire

Misc: Copper Wire Only

WS4FBL3P, WIDE SLIDE, EFL/LED DIMMER

MATERIAL	SEE NOTE	UNSPECIFIED TOL. FRAC: ± 1/64 ANGLES ± 1.0 DEC .0 ± 0.02 .00 ± 0.01 .000 ± 0.005	Pass & Seymour 	
FINISH	SEE NOTE		MODEL NAME: WS4FBL3P	
DSGN. BY: JPH	07/13/2017			
DR. BY:		SHT1 of 1	PROJ. DWG. NO.:	REV.:
CK. BY:		SCALE: 1:2	CD1205	A
NOTICE: Copyright 2011 Legrand North America, Inc. Drawings are proprietary and may not be copied or otherwise duplicated or used without express written permission.				

2