

TSDLV1103PTC

Energy-saving dimming for Magnetic Low-Voltage loads.

TSDLV703P*/TSDLV1103P*

Replace your standard switch with the new Toggle Slide Dimmer offering, compatible with MLV dimmable bulbs, features constant memory that returns lights to the previous level after a power failure for automatic control and convenience. The ergonomic slider was designed with the end user in mind, making it easier to adjust in the dark or on the run.

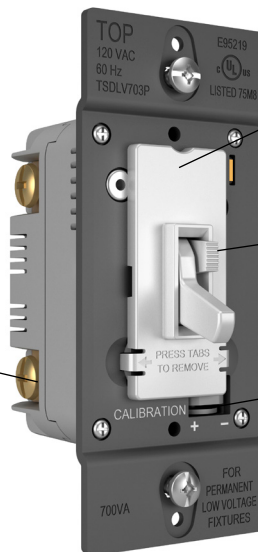
*Denotes color suffix

Features & Benefits

New aesthetically pleasing ergonomic design allows for easier operation

Constant memory returns lights to previous levels after a power failure

Screw-pressure-plate backwire terminals save time, space and money



TSDLV703PW

Interchangeable face plates available in seven colors (TSDKIT*; sold separately)

Convenient operation – combines ON/OFF toggle switch with separate slider for dimming control

Adjustment dial allows users to adjust the bottom of the dimming range

- Preset, Single Pole and 3-Way operation.
- Compatible with magnetic low-voltage fixtures.
- Lifetime warranty.

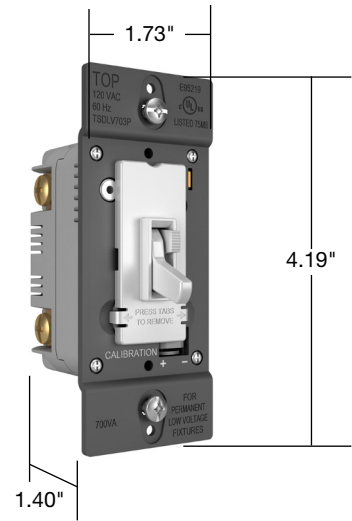
3rd Party Compliance

cULus Listed, Standard UL1472, Standard CSA

Technical Information

Performance

Electrical	
Supply Voltage	120VAC
Ratings	700VA; 1100VA
Frequency	60Hz
Installation	Single Pole or 3-Way
Environmental	
Application	Indoor Use Only
Mechanical	
Enclosure Material	Polycarbonate



TSDLV703PW

Warranty

Lifetime

Ordering Information

Magnetic Low Voltage (MLV) Dimmers


Catalog Number	Description	Color	Voltage	Rating
TSDLV703PTC	Preset, Single Pole and 3-Way	Three interchangeable Face Colors: Ivory, White, Light Almond	120VAC 60Hz	700VA
TSDLV703PW	Preset, Single Pole and 3-Way	Face Color: White	120VAC 60Hz	700VA
TSDLV703PLA	Preset, Single Pole and 3-Way	Face Color: Light Almond	120VAC 60Hz	700VA
TSDLV703PI	Preset, Single Pole and 3-Way	Face Color: Ivory	120VAC 60Hz	700VA
TSDLV703P	Preset, Single Pole and 3-Way	Face Color: Brown	120VAC 60Hz	700VA
TSDLV703PBK	Preset, Single Pole and 3-Way	Face Color: Black	120VAC 60Hz	700VA
TSDLV703PRED	Preset, Single Pole and 3-Way	Face Color: Red	120VAC 60Hz	700VA
TSDLV703PGRY	Preset, Single Pole and 3-Way	Face Color: Gray	120VAC 60Hz	700VA
TSDLV1103PTC	Preset, Single Pole and 3-Way	Three interchangeable Face Colors: Ivory, White, Light Almond	120VAC 60Hz	1100VA
TSDLV1103PW	Preset, Single Pole and 3-Way	Face Color: White	120VAC 60Hz	1100VA
TSDLV1103PLA	Preset, Single Pole and 3-Way	Face Color: Light Almond	120VAC 60Hz	1100VA
TSDLV1103PI	Preset, Single Pole and 3-Way	Face Color: Ivory	120VAC 60Hz	1100VA
TSDLV1103P	Preset, Single Pole and 3-Way	Face Color: Brown	120VAC 60Hz	1100VA
TSDLV1103PBK	Preset, Single Pole and 3-Way	Face Color: Black	120VAC 60Hz	1100VA
TSDLV1103PRED	Preset, Single Pole and 3-Way	Face Color: Red	120VAC 60Hz	1100VA
TSDLV1103PGRY	Preset, Single Pole and 3-Way	Face Color: Gray	120VAC 60Hz	1100VA
TSDKIT		Brown		
TSDKITBK		Black		
TSDKITGRY		Gray		
TSDKITI	Interchangeable Faces	Ivory		
TSDKITLA		Light Almond		
TSDKITW		White		
TSDKITRED		Red		

Vertical Markets

- Office
- Residential
- Multiple Dwelling
- Hospitality/Lodging

Available in the radiant® collection

- GFCI Receptacles
- Tamper-Resistant and Standard Duplex Receptacles
- Paddle Switches
- Fan Controls
- Sensors
- Timers
- Home Automation Controls
- USB Charging Devices
- Night Lights
- Screwless Wall Plates

 The paper used to print this document is an environmentally responsible paper with 10% post consumer waste, with FSC and SFI Chain of Custody certifications, Lacey Act compliant. 100% of the electricity used to manufacture Flo sheets is generated with Green-e certified renewable energy.

All brand and product names referenced in this document are registered trademarks or trademarks of their respective holders.



Legrand, North America
60 Woodlawn Street
West Hartford, CT 06110
1.877.BY.LEGRAND (295.3472)
www.legrand.us
905.738.9195
www.legrand.ca

