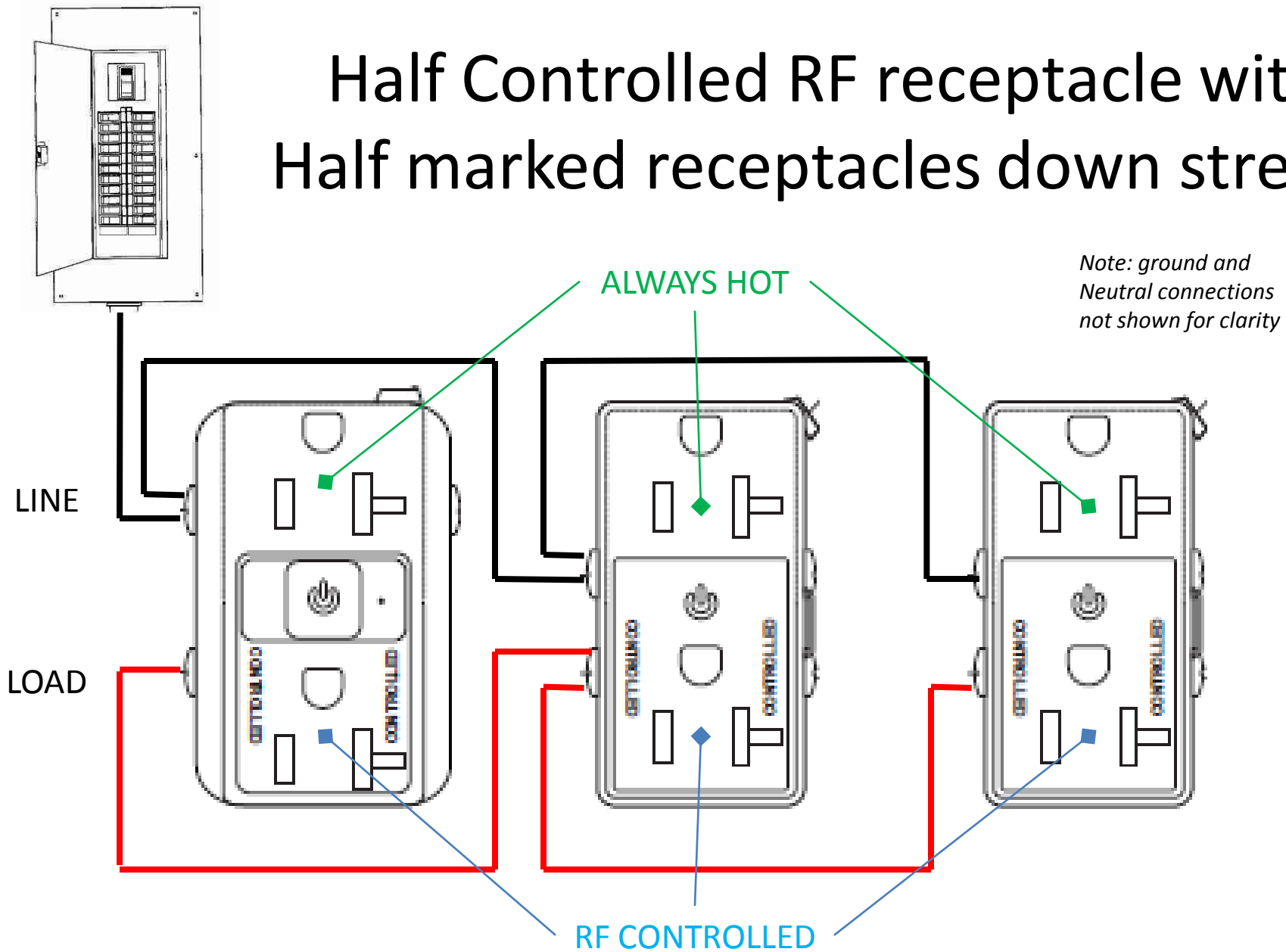


Half Controlled RF receptacle with Half marked receptacles down stream



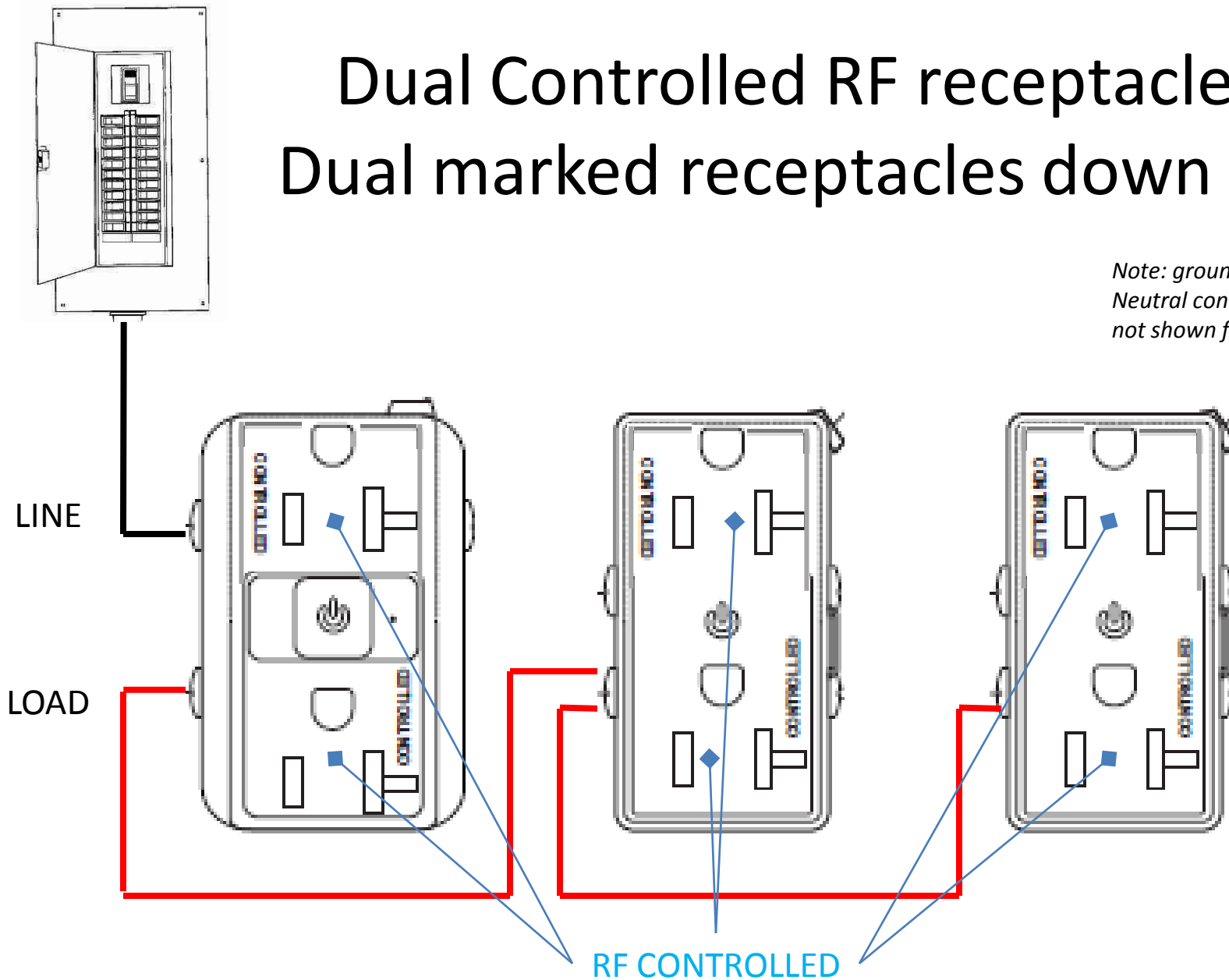
RF26252CH (15A)
RF26352CH (20A)

26252CH (15A)
26352CH (20A)

26252CH (15A)
26352CH (20A)

Dual Controlled RF receptacle with Dual marked receptacles down stream

Note: ground and Neutral connections not shown for clarity

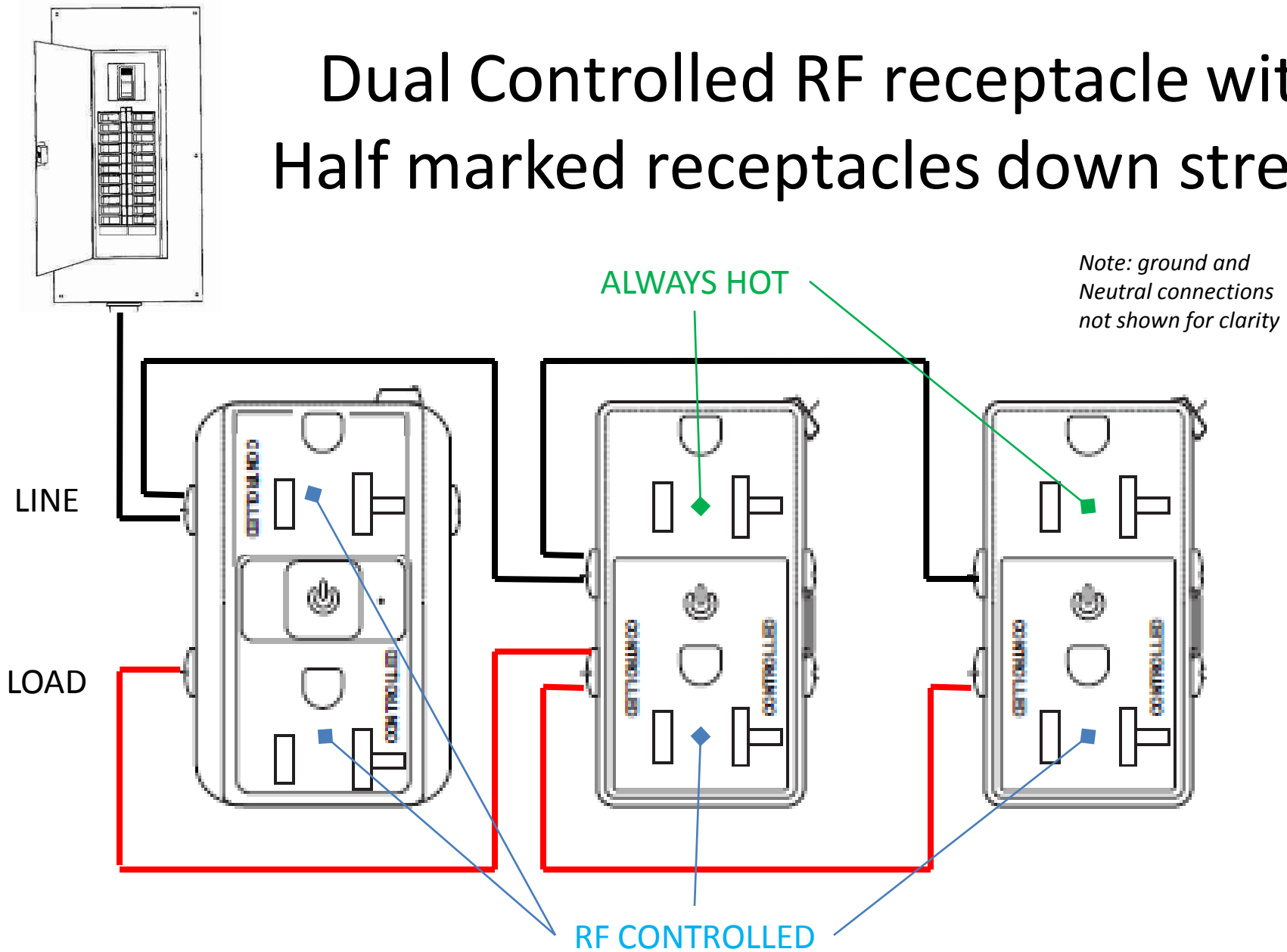


RF26252CD (15A)
RF26352CD (20A)

26252CD (15A)
26352CD (20A)

26252CD (15A)
26352CD (20A)

Dual Controlled RF receptacle with Half marked receptacles down stream

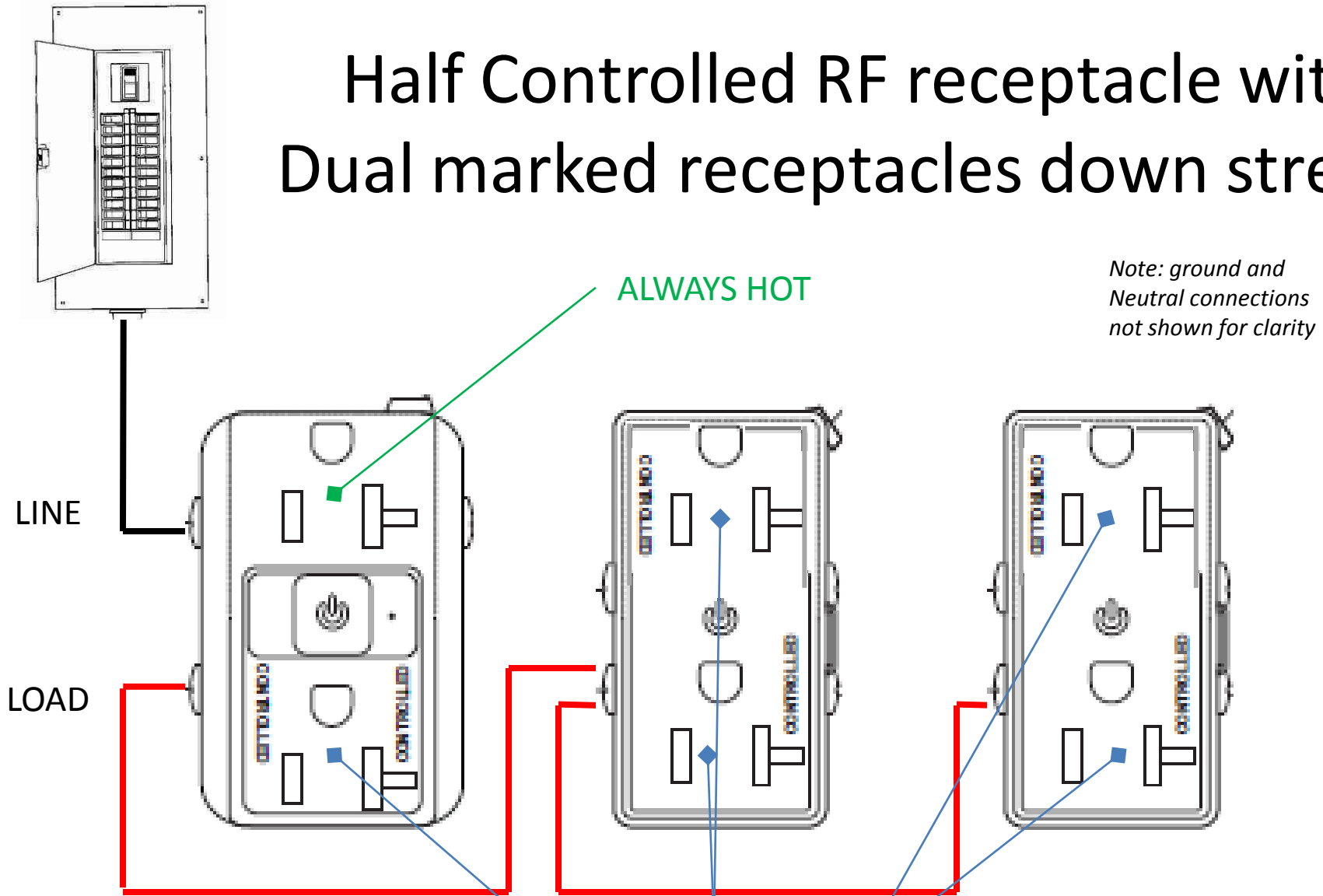


RF26252CD (15A)
RF26352CD (20A)

26252CH (15A)
26352CH (20A)

26252CH (15A)
26352CH (20A)

Half Controlled RF receptacle with Dual marked receptacles down stream



RF26252CH (15A)
RF26352CH (20A)

26252CD (15A)
26352CD (20A)

26252CD (15A)
26352CD (20A)