

**Catalog Number(s) • Numéro(s) de catalogue • Número(s) de catálogo: HCL453PMM and HMR**

Country of Origin: Made in China • Pays d'origine : Fabriqué en Chine • País de origen: Hecho en China



**READ AND SAVE THESE INSTRUCTIONS**

To be installed by a certified electrician or other qualified person.

**WARNING:** To prevent severe shock or electrocution, always turn power off at the service panel before installing this product, working on the circuit or changing a lamp.

**CAUTION**

- To reduce the risk of overheating and possible damage to this product or other equipment do not use this product to control a receptacle, a motor operated appliance or a transformer based appliance.
- Do not use this product with loads whose power requirements exceed the maximum power (stated in watts, amperes or volt-amperes) of the dimmer.
- Use only with incandescent, compatible dimmable CFL/LED bulbs which screw into conventional incandescent lamp sockets, or MLV loads (compatible bulbs listed at www.legrand.us).
- A 5 watt minimum load is required.
- Do not connect this product to a power source other than 120VAC, 60Hz.
- Use copper wire only.
- Always slide the Air Gap Switch to the full down (OFF) position when changing a light bulb.
- For MLV loads:
  - The maximum VA rating of this dimmer applies to the transformer input of the MLV, not the load connected to the transformer secondary of the MLV.
  - Do not use to control a solid state electronic low voltage transformer.
  - Do not use with inoperative or missing lamps. Use of this dimmer with inoperative or missing lamps can create an over current condition which may damage the transformer. Use transformers that incorporate thermal protection or a fuse at the primary windings.

**LISEZ ET CONSERVEZ CES INSTRUCTIONS**

Ce dispositif doit être installé par un électricien certifié ou une autre personne qualifiée.

**AVERTISSEMENT :** afin d'éviter tout choc électrique ou électrocution grave, toujours éteindre l'alimentation sur le panneau de service avant d'installer ce produit, de travailler sur le circuit ou de changer une lampe.

**MISE EN GARDE :**

- Pour réduire le risque de surchauffe et d'autres dommages possibles sur ce produit ou d'autres appareils, ne pas utiliser ce produit pour contrôler une prise électrique, un appareil à moteur ou un appareil avec transformateur.
  - Ne pas utiliser ce produit avec des ampoules dont les besoins en énergie dépassent la puissance maximale (exprimée en watts, en ampères ou en voltampères) du variateur.
  - Utiliser uniquement ce produit avec des ampoules compatibles, à incandescence, fluo-compactes/DEL, à intensité réglable, pouvant être vissées dans des douilles conventionnelles pour ampoules à incandescence, ou des charges de transformateur (ampoules compatibles répertoriées sur le site www.legrand.us).
  - Une ampoule d'au moins 5 watts est requise.
  - Ne brancher ce produit qu'à une source d'alimentation de 120 V c.a., 60 Hz.
  - N'utilisez que des fils en cuivre.
  - Au moment de changer l'ampoule, faire glisser l'interrupteur Air Gap jusque dans sa position la plus basse (OFF).
  - Pour les charges de transformateur :
    - La capacité maximale en VA de ce dispositif s'applique à l'entrée du transformateur et non pas à la charge au niveau de la partie secondaire du transformateur.
    - Ne pas s'en servir pour commander un transformateur électronique basse tension à semi-conducteurs.
  - N'utilisez pas ce dispositif avec des lampes défectueuses ou manquantes.
- L'utilisation de cette unité avec des lampes défectueuses ou manquantes peut créer une situation de surintensité qui risque d'endommager le transformateur. Utilisez des transformateurs équipés d'une protection thermique ou d'un fusible au niveau des enroulements primaires.

**LEA Y GUARDE ESTAS INSTRUCCIONES**

La instalación debe estar a cargo de un electricista certificado u otra persona calificada.

**ADVERTENCIA:** Para evitar una fuerte descarga eléctrica o la electrocución, siempre desconecte el suministro eléctrico en el panel de servicio antes de instalar este producto, trabajar en el circuito o cambiar una lámpara.

**PRECAUCIÓN**

- Para reducir el riesgo de sobrecalentamiento y posibles daños a este producto u otros equipos, no use este producto para controlar un receptáculo, un dispositivo accionado por motor o un dispositivo con transformador.
- No use este producto con cargas cuyos requisitos de potencia superen la potencia máxima (expresada en vatios, amperios o voltio-ampereos) del regulador.
- Úselo solo con bombillas CFL/LED incandescentes regulables compatibles que se inserten en casquillos para lámparas incandescentes convencionales o con cargas MLV (bombillas compatibles detalladas en www.legrand.us).
- Se requiere una carga mínima de 5 W.
- No conecte este producto a una fuente de alimentación que no sea de 120 V AC, 60 Hz.
- Use solamente cables de cobre.
- Siempre deslice el interruptor de espacio de aire a la posición totalmente hacia abajo (apagado) al cargar una bombilla.
- Para las cargas MLV:
  - La capacidad nominal máxima de VA de este regulador corresponde a la entrada del transformador de MLV, no a la carga conectada al transformador secundario del MLV.
  - No lo use para controlar un transformador de bajo voltaje electrónico de estado sólido.
  - No lo use con lámparas defectuosas o faltantes. El uso del regulador con lámparas defectuosas o faltantes puede crear una condición de corriente en exceso que puede dañar el transformador. Use los transformadores que tienen protección térmica o un fusible en los arrollamientos primarios.

**IMPORTANT NOTES:**

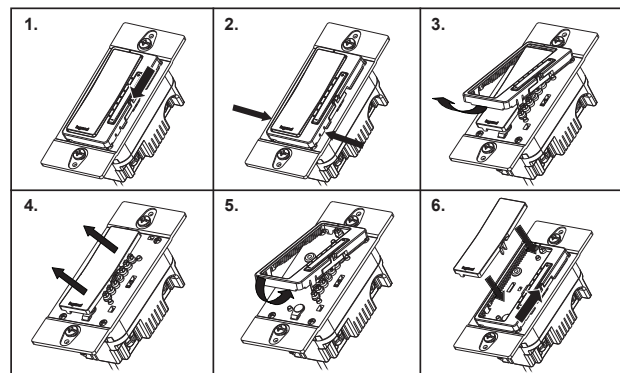
- All dimmers can be damaged by improper wiring. Check for short circuits prior to installing the dimmer with a lamp load in the circuit.

**Procedure for short circuit check:**

- Disconnect power to circuit by removing fuse or turn circuit breakers OFF.
  - Install a switch instead of the dimmer. Turn the switch to the ON position.
  - Turn power ON. If the circuit breaker trips, a short circuit is present. If the light fails to turn ON and OFF with the switch, the wiring may be incorrect.
  - Correct wiring, if necessary, and reset.
  - Install the dimmer only after the light operates properly with the switch.
- Protect this product from dust and dirt. The dimmer can be damaged by contaminants encountered during the construction process. If lighting is required prior to the construction process completion, then a switch should be temporarily installed in place of this product. This product should not be installed until the construction process is complete.

**Any dimmer damage due to improper installation is not covered under warranty.**

**DIRECTIONS**



**Figure 1 / Figure 1 / Figura 1**

- If color change kit was provided, and a different color is desired, see the Color Change Procedure, (Figure 1), if not proceed to step #2.
- Disconnect power to the circuit by removing the fuse or turning the circuit breaker to the off position.
- Remove wall plate and switch mounting screws, pull existing switch from wall box.
- Disconnect existing switch from circuit. For existing 3-way installations: identify the "Common" wire (wire connected to the terminal marked common, this terminal may also be of a different color). For new installation identify wire connected to power source or load.
- Connect dimmer as shown in the applicable installation diagram using #12 or #14 AWG wire stranded or solid copper conductors. Note that the dimmer and remote positions may not be reversed from that shown. Strip the wire to the length shown on the back of the product.
- Install product in wall box, with the word "Top" on the strap right side up, using mounting screws provided.
- Attach wall plate and then restore power to the unit.
- The dimmer may require adjustment to the low end setting to reliably start and/or remove flickering in bulbs. Make adjustment as stated in the "User Adjustable Parameters" section of the DIMMER OPERATION section.

**NOTE:** It is normal for the dimmer to feel warm during operation. Use a separate neutral wire for each phase of a multiphase system containing a dimmer, and for high power single phase applications where flickering is present.

Any combination of dimmer models and other devices may be ganged together. De-rate the maximum load according to the following table:

	Rated Load	3 Gang (or more) Installation
<b>Incd./Hal.</b>	700W	650W
<b>MLV</b>	700VA	650VA
<b>CLF/LED</b>	450W	450W

**Single-Pole Installation**

- NOTE:** Wire colors indicated are those of the device only, not the wires in the wall box. Be sure to test wall box wires before making any connections.
- Connect the device following the single-pole wiring diagram shown.

**Three-Way Installation**

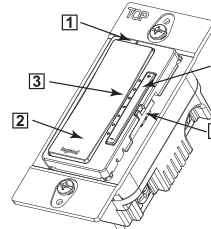
- NOTE:** Three-way or multi-location applications require the use of a Multi-Location Remote HMR, in conjunction with a Preset Dimmer. A regular three-way switch should not be used to control a Multi-Location Dimmer. Doing so may damage the control and, in turn, void the unit's warranty.

See Wiring Diagram Figures 2-5 below.

**OPERATION**

**User Interface – Overview**  
The user interface of the dimmer consists of:

- [1] Locator LED
- [2] ON/OFF Pushbutton
- [3] Seven-Element LED Bar Graph
- [4] Air Gap Switch
- [5] RAISE/LOWER Rocker buttons



**LED Indicators**

**Load Off –** When the dimmer is powered, but the load is OFF, the locator LED [1] will be on at the full intensity (if enabled), and all LEDs in the bar graph [3] will be off.

**Load On –** When the dimmer is operating the load (load ON), the locator LED [1] will be off, and the bar graph [3] will be illuminated starting from the bottom, to indicate the present load brightness level.

**Setup Modes –** The function of the LEDs varies with each specific setup mode, and will be detailed in those descriptions.

**ON/OFF Pushbutton [2]**

- Momentary push of ON/OFF button with Load OFF fades load on to LDL (last dim level) at 50%/second.
- Momentary push of ON/OFF button with Load ON fades load off at a rate of 50%/second (from full on, it will take 2 sec to off).
- Push and hold of ON/OFF button for approximately 2s with load ON fades load off over approximately 30s ("go to bed" feature). During the slow fade-off interval the top-most lit LED in the bar graph will flash at approximately 3Hz (3 times per second).
- Double-tap of ON/OFF button with Load ON fades load to maximum brightness at 50%/second.

**RAISE Rocker button (+) [5]**

- Momentary push with Load ON increases brightness 1 increment (approx. 7% of max brightness).
- Push and hold for more than 0.5 seconds with Load ON ramps brightness up at 20%/second (approx 5 sec from min to max).

**LOWER Rocker button (-) [5]**

- Momentary push with Load ON decreases brightness 1 increment (approx 7% of max brightness).
- Push and hold for more than 0.5 seconds with load ON ramps brightness down at 20%/second (approx 5 sec from max to min).

**Air gap switch [4]**

- Slide to OFF position before replacing load. Slide to ON position after load has been replaced.

**USER-ADJUSTABLE PARAMETERS**

**Min Level Trim**

- Hold LOWER Rocker button (-) [5] down for approximately 10s after minimum brightness reached. Bar graph LEDs will flash to indicate calibration mode activated.
- Pressing ON/OFF pushbutton [2] cycles through 12 preset trim levels, which are displayed on the bar graph.
- Pressing either the Raise or Lower rocker button [5] exits calibration and stores selected trim level.

The default value for the min level trim is set to a level adequate for stable operation of a typical LED load.

**Max Level Trim (energy saver)**

- Hold RAISE Rocker button (+) [5] down for approximately 10s after maximum brightness reached. Bar graph LEDs will flash to indicate cal mode activated.
- Pressing ON/OFF pushbutton [2] cycles through 12 preset trim levels, which are displayed on the bar graph.
- Pressing either Raise or Lower rocker pushbuttons exits calibration and stores selected trim level.

The default value for the max level trim is 100%.

**Disable/Enable Locator LED [1]**

Holding the ON/OFF pushbutton [2] down for approximately 10s with load OFF, until Locator LED flashes once in confirmation, disables operation of the Locator LED when load is off. Continuing to hold the button for an additional 2s (12s total), until the Locator LED flashes twice in confirmation, enables the Locator LED operation.

**Factory Reset**

With the unit in the OFF state, hold down the ON/OFF pushbutton [2] for 15 seconds. The bar graph and locator LEDs will flash 3 times to indicate that the minimum and maximum trim levels and locator LED parameters have been reset to defaults.

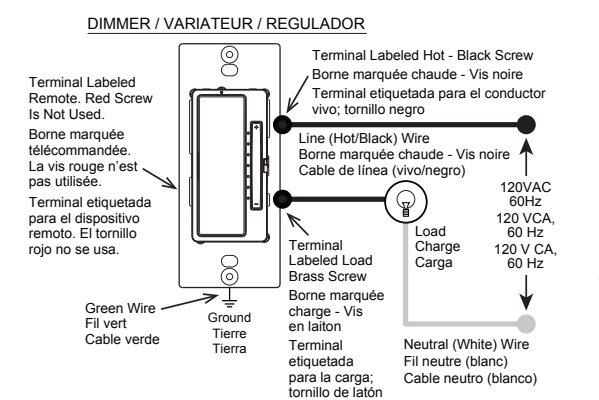
**Power Failure Recovery**

In the case of a power failure, the dimmer saves its last operating state to memory. When power is restored, if the dimmer load was on, the dimmer will automatically fade, at 20%/second rate, to the level at the time of the power failure.

**WIRING DIAGRAMS / SCHÉMAS DE CÂBLAGE / DIAGRAMAS DE CABLEADO**

**Single Location Control (Using Existing Single Pole Switch Wiring)**  
**Contrôle de localisation unique (à l'aide du câblage de commutation unipolaire existant)**

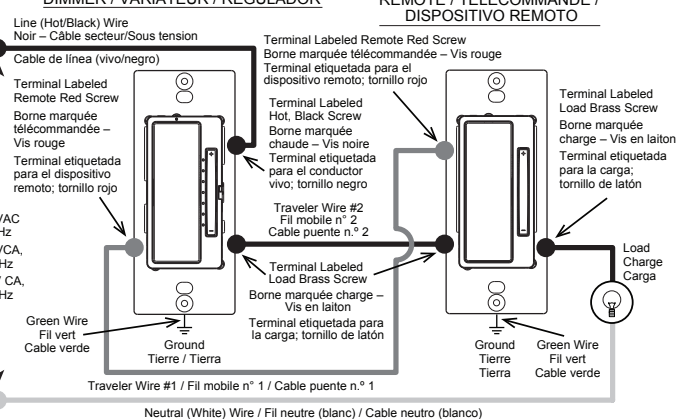
**Control de una sola ubicación (con el cableado del interruptor unipolar existente)**



**Figure 2 / Figure 2 / Figura 2**

**Two Location Control (Using Existing 3-Way Switch Wiring)**  
**Contrôle de localisation double (à l'aide du câblage de commutation à trois voies existant)**

**Control de dos ubicaciones (con el cableado del interruptor de 3 vías existente)**

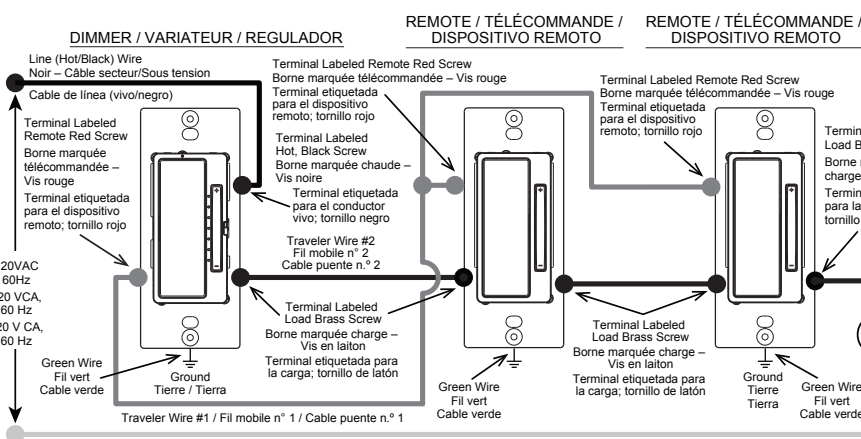


**Figure 3 / Figure 3 / Figura 3**

**Two or More Location Control (Up to 9 Remotes) Wiring Option A: Connecting Load Through Remotes**  
**Contrôle de localisation double ou davantage (jusqu'à 9 télécommandes) Option de câblage A :**

**Raccordement d'une charge par le biais de télécommandes**

**Opción de cableado A para control de dos o más ubicaciones (hasta 9 dispositivos remotos) A:**  
**Conexión de la carga a través de dispositivos remotos**

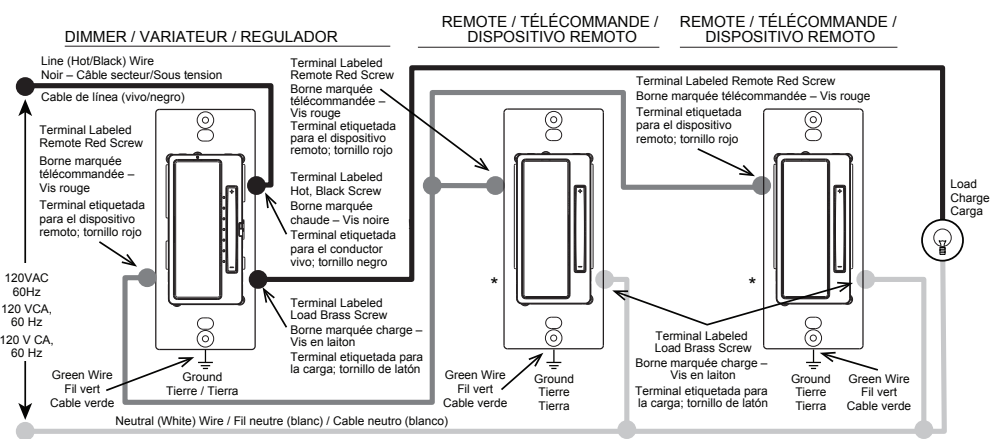


**Figure 4 / Figure 4 / Figura 4**

**Two or More Location Control (Up to 9 Remotes) Wiring Option B: Connecting Remote To Neutral**  
**Contrôle de localisation double ou davantage (jusqu'à 9 télécommandes) Option de câblage B :**

**Raccordement de la télécommande au neutre**

**Opción de cableado B para control de dos o más ubicaciones (hasta 9 dispositivos remotos):**  
**Conexión de dispositivo remoto a neutro**



**Figure 5 / Figure 5 / Figura 5**

\*Either load terminal can be used / \*N'importe quelle borne de charge peut être utilisée / \*Se puede usar cualquier terminal de carga.

