

the radiant[®] *collection*

Wi-Fi Smart Plug-in
Tru-Universal Dimmer



table of contents

before you start	3
installation and setup	4-7
getting to know your dimmer.....	8-9
specifications.....	10
regulatory information	12-15
warranty.....	16
support.....	17

before you start

Review this guide in its entirety before beginning device installation. Consult an electrician with any questions or if you are unsure of your abilities.

⚠ Caution: To reduce the risk of injury and/or overheating and damage to other equipment:

- Connect the smart plug-in dimmer to a 120 VAC, 60 Hz power source ONLY.
- This smart plug-in dimmer is intended for lamps with dimmable bulbs ONLY.
- For dry, indoor use ONLY.
- To reduce the risk of electric shock, this equipment has a grounding type plug that has a third (grounding) pin. This plug will only fit into a grounding type outlet. If the plug does not fit into the outlet, contact a qualified electrician to install the proper outlet. Do not change the plug in any way.

Visit the Legrand website at www.legrand.us/radiant/smart-lighting/support for installation videos or to learn more about your smart device.

installation & setup

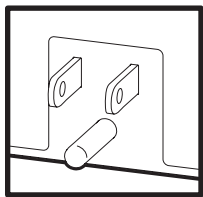
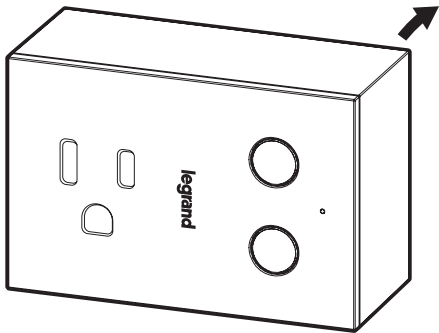
step one | plug in the smart dimmer

Insert the lamp to be controlled into the outlet on the smart plug-in dimmer.

The smart dimmer up/down buttons can be reversed for use in outlets with the ground plug up:

- Hold the bottom button while plugging in your dimmer. The dimmer automatically adjusts the orientation.

NOTE: See page 8 for feature details.



installation & setup

step two | test the smart plug-in dimmer

NOTE: See page 8 for feature details.

- 1 When the lamp is off, press the top button to turn your lamp on.
- 2 Hold the bottom button to decrease the light level.
- 3 Hold the top button to increase the light level.
- 4 Press the bottom button to turn your lamp off.

TROUBLESHOOTING TIP:

If the lamp is not responding to the dimmer, confirm that the outlet is powered, that any switch that normally powers the lamp is on, and that the bulb(s) are functional.

installation & setup

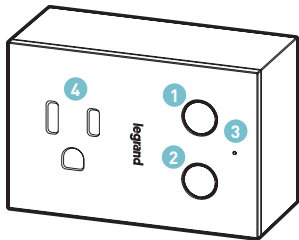
step three | set up your system

- 1 Download and launch the Smart Lights app by Legrand. The app is available on the App Store or on Google Play.
- 2 Connect your smart plug-in dimmer to your home network by following the step by step instructions in the app.
- 3 Use the app to control your smart plug-in dimmer.





Google Play and the Google Play logo are trademarks of Google LLC. App Store is a service mark of Apple Inc., registered in the U.S. and other countries.

getting to know your dimmer

Item	Name	Description
1	Top Button	Button Control Features <ul style="list-style-type: none">• Top button: Press to turn the light on or double-tap to raise the dimming percentage to 100%.• Bottom button: Press to turn the light off.• Press and hold any button to quickly change the dimming percentage by 20% per second.• To return to factory default, with the device off press and hold both dim (-) for 10s.
2	Bottom Button	
3	LED Locator Light	Indicates the current state of the device. See "LED Locator Light Explanations" for detail.
4	Outlet	Plug your dimmable lamp into the socket.



LED LOCATOR LIGHT EXPLANATIONS

LED Color	State of Light	Explanation
	Solid Amber	System is not ready. Wait for blinking Amber
	Blinking Amber	Device is ready for setup on your network
	Solid White	Device is connected to your network and is switched off
	Blinking Red	Warns of an overload or short circuit while your device is on

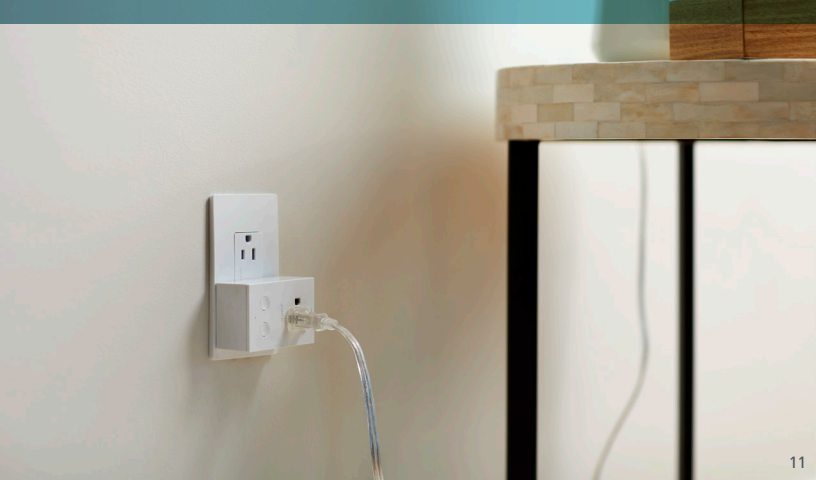
NOTE: When it is turned on, the smart dimmer recalls the most recent dimming level.

specifications

Load	Rating
Incandescent/Halogen	300 W
CFL/LED	100 W

Legrand reserves the right to change specifications without notice.

NOTE: *The dimmer ships in forward phase mode to accommodate most load types. For loads that require reverse phase dimming, such as ELV loads, adjust the phase using the app.*



regulatory information

FCC NOTICE

This device complies with Part 15 of the FCC rules. Operation is subject to the following two conditions: (1) this device may not cause harmful interference, and (2) this device must accept any interference received, including interference that may cause undesirable operation.

This equipment has been tested and found to comply with the limits for a Class B digital device, pursuant to Part 15 of the FCC Rules. These limits are designed to provide reasonable protection against harmful interference in a residential installation. This equipment generates, uses, and can radiate radio frequency energy and, if not installed and used in accordance with the instructions, may cause harmful interference to radio communications. However, there is no guarantee that interference will not occur in a particular installation.

If this equipment does cause harmful interference to radio or television reception, which can be determined by turning the equipment off and on, the user is encouraged to try to correct the interference by one or more of the following measures:

- Reorient or relocate the receiving antenna
- Increase the separation between the equipment and receiver
- Connect the equipment into an outlet on a circuit different from that to which the receiver is connected
- Consult the dealer or an experienced radio/TV technician for help

regulatory information

This equipment complies with FCC radiation exposure limits set forth for an uncontrolled environment. This equipment should be installed and operated with a minimum distance of 20 cm between the transmitter's radiating structure(s) and the body of the user or nearby persons.

NOTE: Any changes or modifications to this device that are not expressly approved by the manufacturer will void the warranty and the user's authority to operate the equipment.

FCC ID: A3LCWAM210S



WiFi® is a registered trademark of Wi-Fi Alliance®.

IC NOTICE

This device complies with Industry Canada license-exempt RSS standards. Operation is subject to the following two conditions: (1) this device may not cause interference; and (2) this device must accept any interference, including interference that may cause undesired operation of the device.

RF EXPOSURE STATEMENT

This equipment meets the SAR evaluation limits given in RSS-102 Issue 5 requirements at the minimum separation distance of 15 mm to the human body. Note: Any changes or modifications to this device that are not expressly approved by the manufacturer, will void the warranty and the user's authority to operate the equipment.

IC ID: 649E-CWAM210S

warranty

This product is warranted under normal use against defects in workmanship and materials for as long as you own it. If the product fails due to a manufacturing defect during normal use, return it for a replacement at the store where purchased or contact technical support at 1-877-833-3303.

A dated sales receipt must be provided for all replacement requests (legible copies are acceptable).

Additional warranty details are available at <http://www.legrand.us> under your device's product page.

support


IF YOU NEED HELP INSTALLING YOUR SMART PLUG-IN DIMMER, TALK TO OUR TECHNICAL SUPPORT TEAM:

PHONE: 1-877-833-3303

8:00 a.m. to 8:00 p.m. EST (M-F). 8:00 a.m. to 5:00 p.m. EST (Sat)

EMAIL: smartlighting@legrand.us

CHAT: <https://www.legrand.us/radiant/smart-lighting.aspx>

(Click on the  icon to open a dialogue box)



Legrand, North America

50 Boyd Avenue
Syracuse, NY 13209
1-877-833-3303
www.legrand.us