

Taking accurate measurements of each window is crucial to a good finished installation. Please follow these instructions for each shade, taking careful notes of the actual measurements.

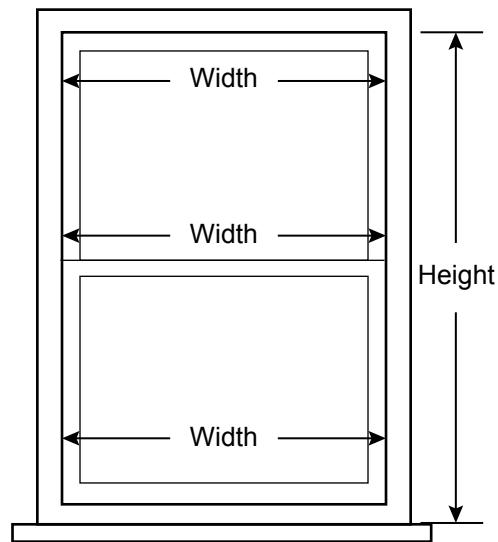
- All measurements should be taken to the 1/8" of an inch.
- Use a steel 1" inch measuring tape. Alternatively, a quality laser measuring tool may also be used.
- Measure level, taking care that the tape is not sagging.
- Ensure that the measures are identified for the specific window. Do not assume that similar looking windows have the same dimensions.
- Shade measurements are for the system. Note that fabric panels will be narrower than the shade system.

INSIDE MOUNT

When measuring for Inside Mount, or inside the window casing:

To find the width, measure the exact distance between the inside surfaces of the window frame at the top, middle, and bottom, and use the **narrowest** width. Do not make any width deductions. The factory will make the necessary deductions.

To find the height, measure the exact distance from the inside surface at the top of the window to the sill:



Tips for Inside Mounting

- An Inside Mount allows you to mount the shade inside the window casing so that the fascia sits back into the window casing.
- Inside Mounting of shades emphasizes the actual size of the window, and allows trim work to be visible.
- Note your depth clearance before your purchase to ensure you have the minimum depth required to mount inside the frame.
- Solarfective takes the appropriate deductions for inside mount, so do not make allowances on your inside mount measurements.
- Windows that are not level or square may not be appropriate for an inside mount shade. Instead consider using an outside mount.

OUTSIDE MOUNT

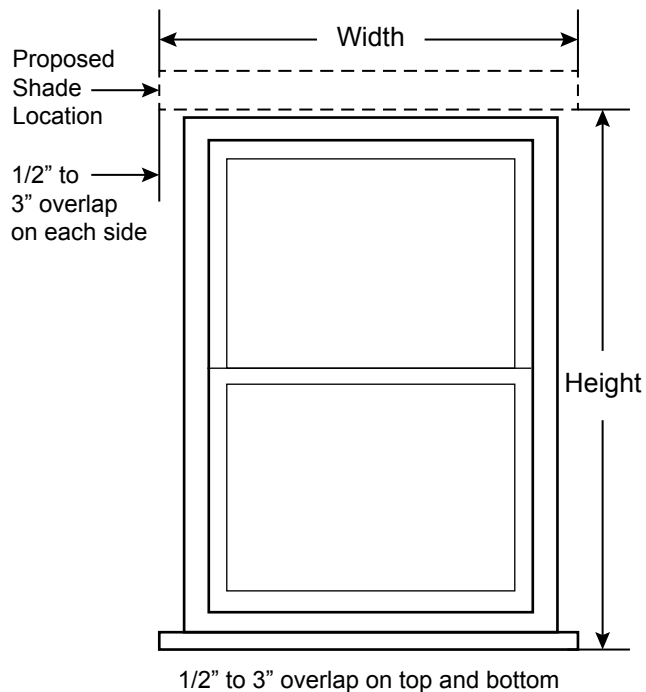
When measuring your window for Outside Mount, or outside the window casing:

To find the width, measure the outside width of the window frame, taking into consideration the sidewalls if any. If you would like to overhang the mullions specify how much each side. (Typically 1 ½ - 3" each side, if site conditions allow).

To find the height, measure from the sill to the position of the top of the shade. If there is no sill, measure to where the shade is to reach.

In a case of more than a single window in a row(e.g. two windows side-by-side), when shades are desired to be balanced to mullions, measure from the outside of the farthest left mullion or wall to the center of the next mullion then from the center of that mullion to the outside of the right mullion or wall.

Measure center of mullion to center of mullion for all shades in the middle of a run of three windows or more.



Tips for Outside Mounting

- An Outside Mount allows you to mount the fascia above the window casing or on molding.
- Outside Mounting of shades gives the illusion of a longer and wider window and can make a narrow window look larger.
- An Outside Mounted shade may be necessary if the window is not deep enough to accommodate the shade brackets.