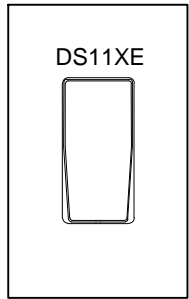
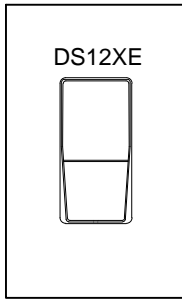


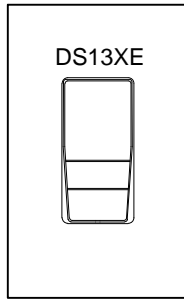
WIRELINK DIMMER AND KEYPAD STATION CONTROLS (1) LOAD ONLY



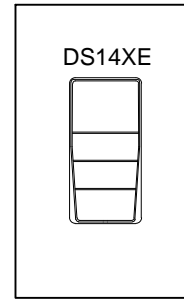
1 BUTTON



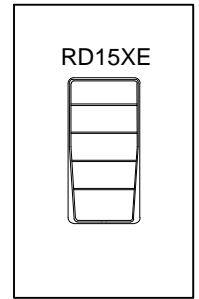
2 BUTTON



3 BUTTON

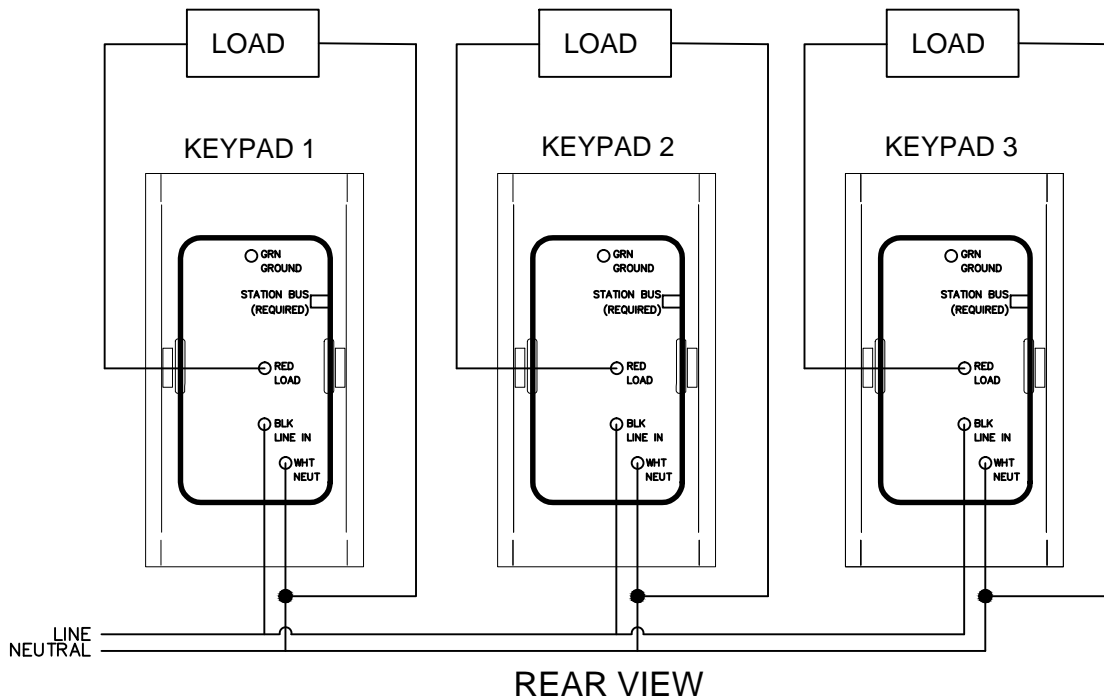


4 BUTTON



5 BUTTON

FRONT VIEW



REAR VIEW

STATION MUST OPERATE AS A FULLY PROGRAMMABLE KEYPAD ON THE ARCHITECTURAL DIMMING SYSTEM.

| | | | |
|---|----------|-----------|------|
| Wattstopper | | | |
| <small>www.legrand.us/wattstopper</small> | | | |
| <small>Phone: 800-879-8585</small> | | | |
| Title | | | |
| STATION DS1XTE KEYPAD WIRING | | | |
| Scale | Drawing# | Date | Rev. |
| None | 100-506 | 10/9/2017 | A |