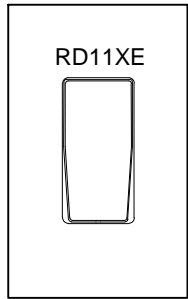
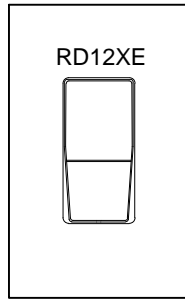


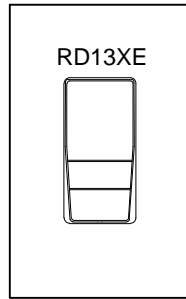
# RADIOLINK DIMMER AND KEYPAD STATION CONTROLS UP TO (2) LOADS



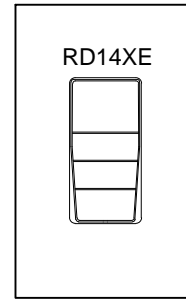
1 BUTTON



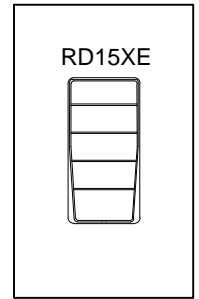
2 BUTTON



3 BUTTON

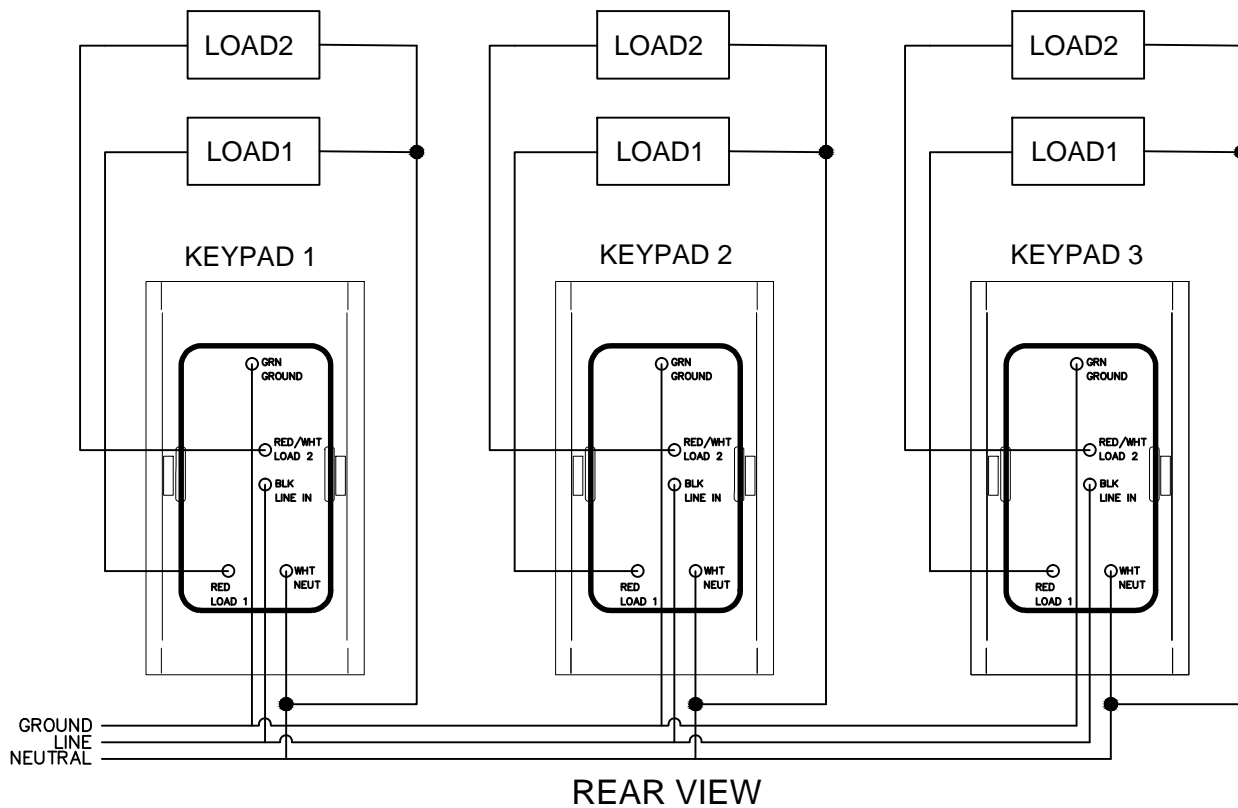


4 BUTTON



5 BUTTON

## FRONT VIEW



## REAR VIEW

STATION MAY OPERATE STANDALONE OR  
INTEGRATE WIRELESSLY AS A FULLY  
PROGRAMMABLE KEYPAD ON THE ARCHITECTURAL  
DIMMING SYSTEM.

<b>Wattstopper</b>			
<small>www.legrand.us/wattstopper</small>			
<small>Phone: 800-879-8585</small>			
<b>STATION RD1XTE KEYPAD WIRING</b>			
Scale	Drawing#	Date	Rev.
None	100-505	10/9/2017	A