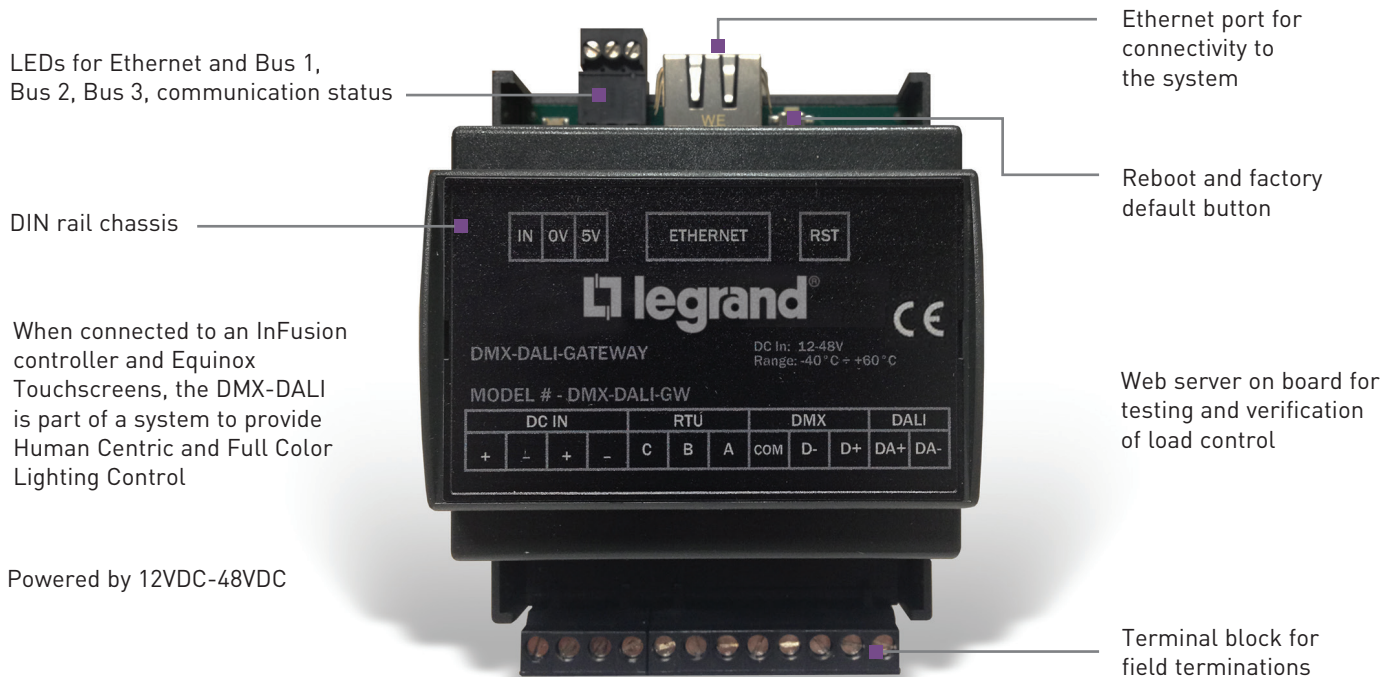


DMX DALI GATEWAY

DMX-DALI-GW



Description

The DMX-DALI-GATEWAY (DMX-DALI-GW) provides a full DMX universe of 512 channels as well as 64 channels of DALI control in one simple solution.

Legrand provides the DMX-DALI single-part solution, giving the installer more flexibility to integrate either in a DMX platform or a DALI platform or both at the same time, if needed. This product is Ethernet based and is programmed via the Design Center software, providing simple programming of DMX and DALI systems.

Highlights

This combined DALI and DMX solution provides improved integration of applications requiring multi-faceted control of color and lighting levels as well as individual fixture control capabilities. In addition, the DMX-DALI-GW can be configured to act as a gateway back into the system through a stage lighting control console.

Operation

The DMX DALI GATEWAY (DMX-DALI-GW) simultaneously processes information to and from one or more DMX and/or DALI devices, and provides a full DMX universe of 512 channels as well as 64 channels of DALI control. The information is transmitted via Ethernet, in controlled packets, to the Controller which acts as the central control point. The Controller conversely transmits controlled packets back to the DMX-DALI-GW to be distributed to each connected bus. The controller manages the information, load status and levels, making the interface simple to use.

Applications

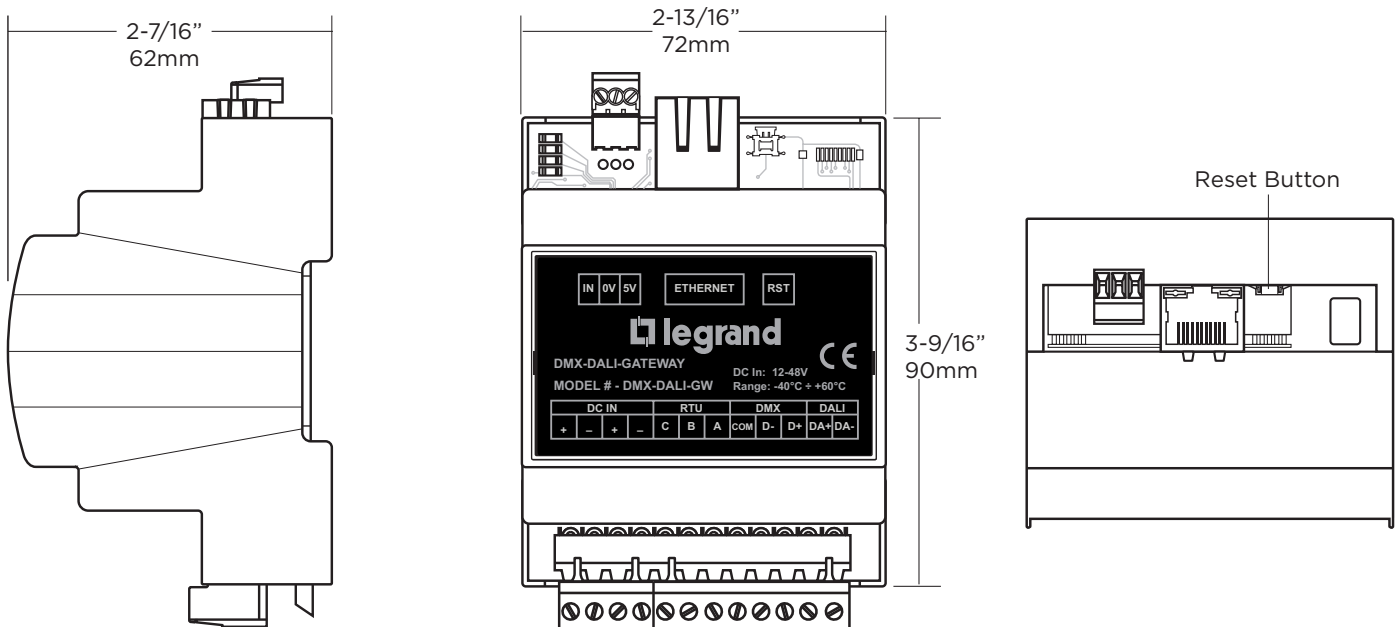
The DMX-DALI-GATEWAY is ideal for systems incorporating DMX or DALI control within Legrand's Architectural Dimming system.

PROJECT		LOCATION/ TYPE	
---------	--	-------------------	--

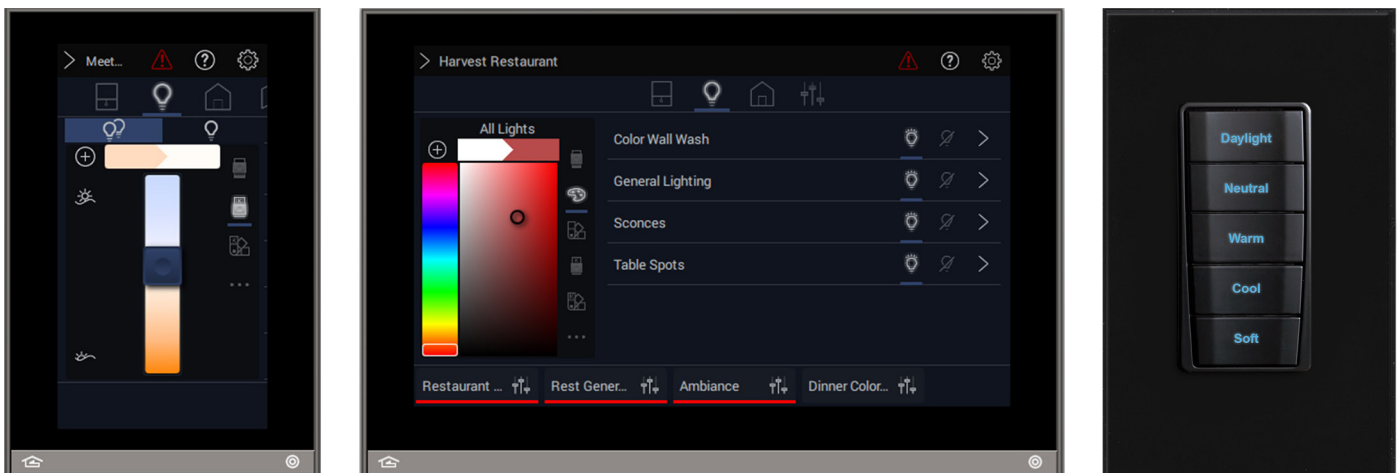
Features

- Full support of a universe of 512 DMX channels
- DALI support of 64 channels of control or management of 1-16 groups
- Using any InFusion controller and interface, such as the Equinox touchscreens, provides complete control of CCT, HSIC, HSL, RGB, or RGBW lighting
- On-board web server for setup, testing, and verification of load control
- Programmed via Design Center software (3.4 or later)
- When paired with the Lumenetix LED Drivers (Blanco 2, Blanco 3), the InFusion platform provides simple control of intensity and CCT for tunable white lighting control. With Lumenetix Araya 5, the InFusion platform can support intensity, CCT, as well as hue and saturation for controlling tunable color

Controls and Dimensions

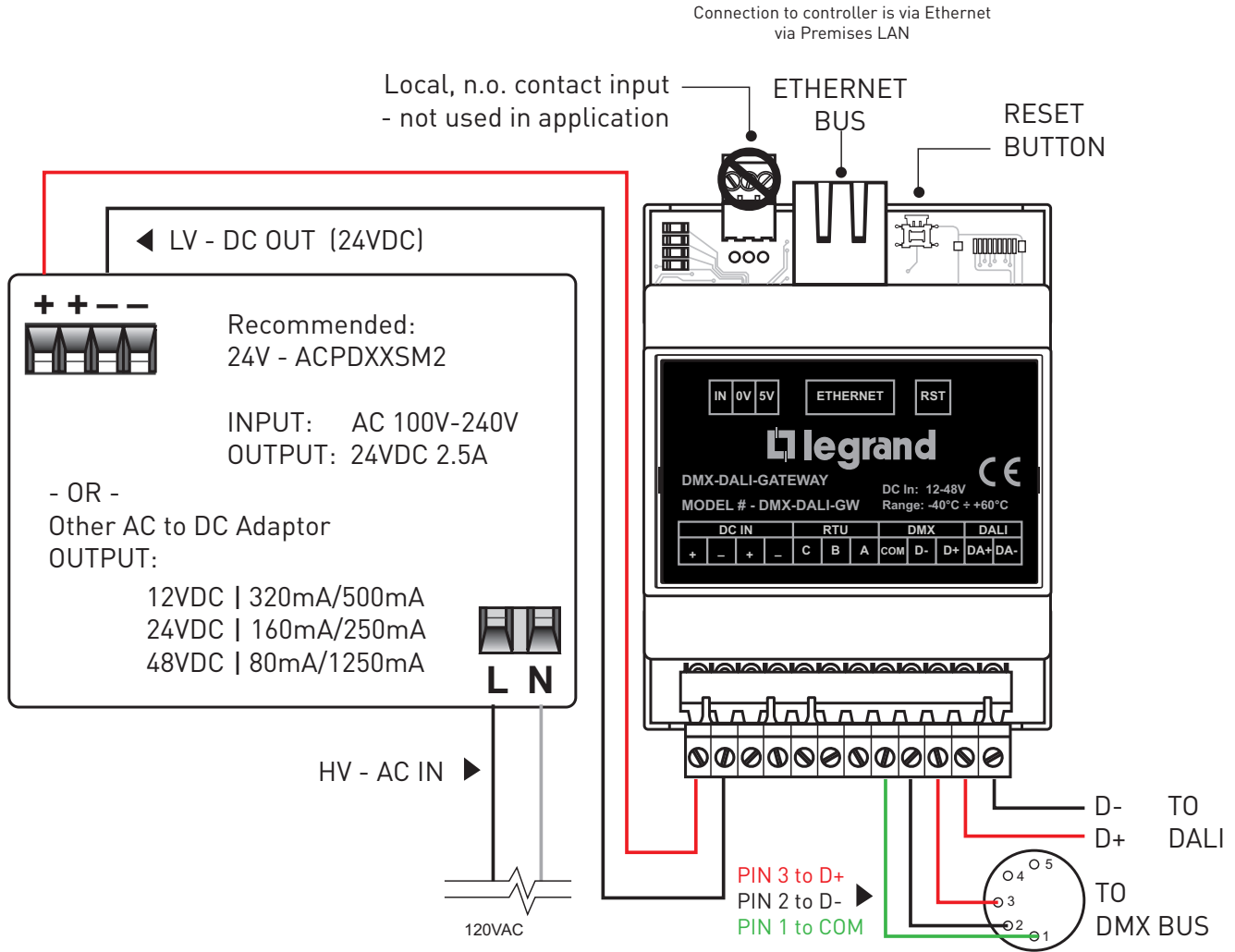


Color Control User Interfaces



DMX-DALI Installation

Electrical contractor to provide (1) 120V circuit input to the power supply that may or may not be provided by Legrand. We also recommend using the Legrand LS-8E DIN Rail enclosure for stand alone DMX/DALI installations.



Dimensions (HWD)

3.4" x 2.8" x 2.3"

86 mm x 70 mm x 58 mm

Specifications

Model	DMX-DALI-GW
Ambient storage temperature	-40-60°C / -40-140°F
Ambient operating temperature	-40- 40°C / -40-104°F
Cooling	Convection
DMX Bus	512 channels of DMX, supports RDM technology. Recommended to only use up to 32 DMX devices per output. Use DMX-SPLITTER to add additional outputs and devices
DALI Bus	64 channels of support, with built in 125mA power supply or manage 1-16 groups
Ethernet	10/100 Mbit baseT FULL DUPLEX AUTO NEGOTIATION
Maximum power draw	500mA
Minimum power draw	40mA
Voltage	12Vdc- 48Vdc (320mA-80mA)
Weight	.3 lbs -or- 125g
IEC 61547	Equipment for general lighting purposes - EMC immunity requirements
IEC 61000-3-2	Electromagnetic compatibility (EMC) - Part 3-2: limits - limits for harmonic current emissions (equipment input current ≤ 16 A per phase)
CE listed	Yes

System Compatibility

InFusion

Ordering Information

Catalog #	Description	Voltage	Misc.
<input type="checkbox"/> DMX-DALI-GW	DMX-DALI-GATEWAY	12VDC-48VDC	Supports control of DMX and DALI
<input type="checkbox"/> DMX-SPLITTER	1 x 4 DMX Splitter/Repeater	12VDC-48VDC	
<input type="checkbox"/> ACPDXSM-2	DIN Power Supply	120-240VDC, 24VDC output	
<input type="checkbox"/> LS-8E	8" x 8" Din Enclosure		
<input type="checkbox"/> DMX-DALI-KIT	DMX-DALI-GW packed with ACPD power supply and DIN enclosure		
<input type="checkbox"/> COM-POE-SWITCH	8 Port PoE Ethernet Switch		