



# Three-wire Multi-way Fluorescent Architectural Dimmer (ADFE-16A, ADFE277-10A)

High-capacity spec-grade dimmers for performance and energy savings

Adjust light output to ideal levels with slider

Adjustable low-end trim



For single-pole or multi-way applications

On/Off/Preset control

Ideal for commercial applications; matching 120 and 277V models

PROJECT
LOCATION/TYPE

## Product Overview

### Description

The ADFE-16A and ADFE277-10A Three-Wire Fluorescent Architectural Dimmers are designed to replace standard light switches or dimmers. The devices provide easy on/off and preset dimming control of fluorescent lighting loads via the on/off buttons and sliders. Each device allows for ideal light levels regardless of the activity taking place in a room.

### Operation

With ADFE Fluorescent Dimmers, users can brighten and dim the connected lights by moving the slider up and down. Users reduce lighting levels by moving the slider down, or increase brightness by moving the slider up. To turn lighting on or off, users press the on/off switch. Lighting will come on to the preset level, determined by the slider position.

### Multi-way Operation & Low-end Trim

The ADFE dimmers can be used in both single-pole and multi-way applications. In a three-way application, a dimmer is installed in one location and a three-way switch in the other location. This provides the user with on/off and dimming control from the dimmer and on/off control from the switch. In a multi-way installation, one or more four-way switches are installed between the dimmer and three-way switch. The dimmers are factory trimmed for operation with the compatible ballasts, but the low-end trim may be adjusted if desired.

### Applications

The ADFE dimmers can be used to save energy and reduce utility costs in applications where fluorescent lighting loads are common, such as private offices and conference rooms.

## Features

- Replaces standard single-pole or 3-way switch
- Operates specific fluorescent loads
- Large switch turns connected load on or off
- Slider control for easy dimming or brightening
- Provides multi-way control when used with 3-way and 4-way switches
- Smooth and continuous dimming
- No current leakage to load when switch is in off position for safety
- Choice of five decorator colors (White, Ivory, Light Almond, Grey and Black)
- Includes wallplate for single or multi-gang installation

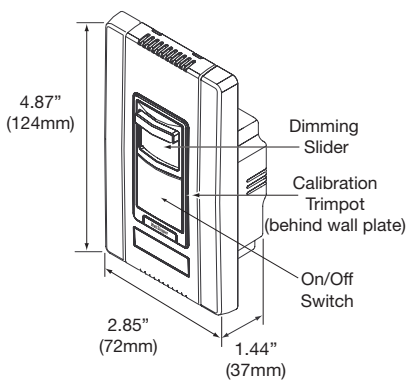


## Specifications

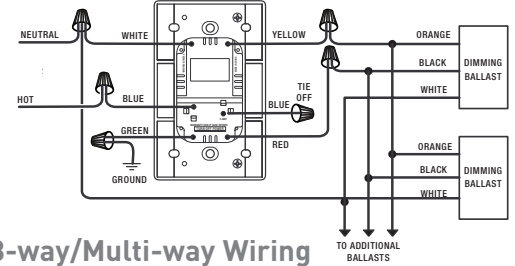
- ADFE-16A: 120 VAC; 60 Hz
- ADFE277-10A: 277VAC; 60 Hz
- Load ratings (compatible fluorescent loads only):
  - ADFE-16A: 0.3-16A; no derating required for multi-gang installations
  - ADFE277-10A: 0.3-10A; no derating required for multi-gang installations
- Filtered output for RFI suppression
- Includes voltage compensation circuitry for stabilized light output
- Use only one dimmer in a 3-way/multi-way circuit
- For indoor use only
- UL and cUL listed
- Five year warranty

## Controls & Wiring

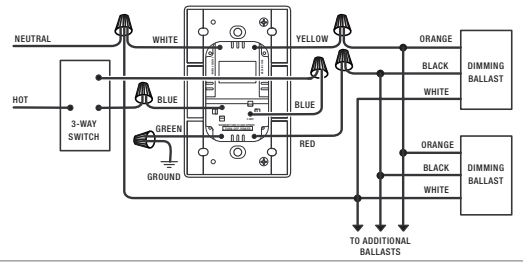
### Product Controls



### Single-pole Wiring



### 3-way/Multi-way Wiring



### Compatible Ballasts

Lutron: 1% - Hi-Lume, Hi-Lume 3D	Lutron: 5% - Compact SE	Lutron: 10% - Eco-10
<b>ADFE-16A:</b> HL3-T426-120-1-S, HL3-T432-1201-S, FDB-T524-120-1, FDB-T524-120-2, FDB-T539-120-1, FDB-T539-120-2, FDB-T554-120-1, FDB-T554-120-2, FDB-2427-120-1, FDB-2427-120-2, FDB-2427-120-3, FDB-3627-120-1, FDB-3627-120-2, FDB-3627-120-3, FDB-4827-120-1, FDB-4827-120-2, FDB-4827-120-3, FDB-6027-120-1, FDB-6027-120-2, FDB-7280-120-1, FDB-8480-120-1, FDB-9680-120-1 <b>ADFE277-10A:</b> HL3-T426-277-1-S, HL3-T432-277-1-S, FDB-T524-277-1, FDB-T524-277-2, FDB-T539-277-1, FDB-T539-277-2, FDB-T554-277-1, FDB-T554-277-2, FDB-2427-277-1, FDB-2427-277-2, FDB-2427-277-3, FDB-3627-277-1, FDB-3627-277-2, FDB-3627-277-3, FDB-4827-277-1, FDB-4827-277-2, FDB-4827-277-3, FDB-6027-277-1, FDB-6027-277-2 <b>Both Models:</b> H3DT832CUNV110, H3DT832CUNV117, H3DT832CUNV210, H3DT832CUNV217	<b>ADFE-16A:</b> FDB-T418-120-1-S, FDB-T418-120-2-S, FDB-T426-120-1-S, FDB-T426-120-2-S, FDB-T432-120-1-S, FDB-T432-120-2-S, FDB-T442-120-1-S, FDB-T442-120-2-S, FDB-1643-120-1, FDB-1643-120-2, FDB-1643-120-3, FDB-1227-120-1, FDB-2227-120-2, FDB-2227-120-3, FDB-2243-120-3, FDB-2243-120-2 <b>ADFE277-10A:</b> FDB-T418-277-1-S, FDB-T418-277-2-S, FDB-T426-277-1-S, FDB-T426-277-2-S, FDB-T432-277-1-S, FDB-T432-277-2-S, FDB-T442-277-1-S, FDB-T442-277-2-S, FDB-1643-277-1, FDB-1643-277-2, FDB-1643-277-3, FDB-2227-277-1, FDB-2227-277-2, FDB-2227-277-3, FDB-2243-277-3, FDB-2243-277-2	<b>ADFE-16A:</b> E3-T514C-120-1, E3-T514C-120-2, E3-T521C-120-1, E3-T521C-120-2, ECO-T528-120-1, ECO-T528-120-2, ECO-T524-120-1, ECO-T524-120-2, ECO-T5H39-120-1, ECO-T5H39-120-2, ECO-T554-120-1, ECO-T554-120-2, ECO-T539-120-1, ECO-T539-120-2, ECO-T539-120-3, ECO-T540-120-1, ECO-T540-120-2, ECO-T540-120-3, ECO-T550-120-1, ECO-T550-120-2, ECO-T817-120-1, ECO-T817-120-2, ECO-T817-120-3, ECO-T825-120-1, ECO-T825-120-2, ECO-T832-120-1-L, ECO-T832-120-1-T, ECO-T832-120-2-L, ECO-T832-120-2-T, ECO-T832-120-3 <b>ADFE277-10A:</b> E3-T514C-277-1, E3-T514C-277-2, E3-T521C-277-1, E3-T521C-277-2, ECO-T528-277-1, ECO-T528-277-2, ECO-T524-277-1, ECO-T524-277-2, ECO-T5H39-277-1, ECO-T5H39-277-2, ECO-T554-277-1, ECO-T554-277-2, ECO-T539-277-1, ECO-T539-277-2, ECO-T539-277-3, ECO-T540-277-1, ECO-T540-277-2, ECO-T540-277-3, ECO-T550-277-1, ECO-T550-277-2, ECO-T817-277-1, ECO-T817-277-2, ECO-T817-277-3, ECO-T825-277-1, ECO-T825-277-2, E3-T832C-277-1, ECO-T832-277-1-L, ECO-T832-277-1-T, ECO-T832-277-1, E3-T832C-277-2, ECO-T832-277-2-L, ECO-T832-277-2-T, ECO-T832-277-2, ECO-T832-277-3

## Ordering Information

Catalog No.	Color	Description	Voltage	Load Rating
<input type="checkbox"/> ADFE-16A-W	White	Three-Wire Fluorescent 16A Multi-way Architectural Dimmer	120 VAC, 60 Hz	0.3-16A
<input type="checkbox"/> ADFE-16A-I	Ivory			
<input type="checkbox"/> ADFE-16A-LA	Lt. Almond			
<input type="checkbox"/> ADFE-16A-G	Grey			
<input type="checkbox"/> ADFE-16A-B	Black			
<input type="checkbox"/> ADFE277-10A-W	White	Three-Wire Fluorescent 10A Multi-way Architectural Dimmer	277 VAC, 60 Hz	0.3-10A
<input type="checkbox"/> ADFE277-10A-I	Ivory			
<input type="checkbox"/> ADFE277-10A-LA	Lt. Almond			
<input type="checkbox"/> ADFE277-10A-G	Grey			
<input type="checkbox"/> ADFE277-10A-B	Black			