



# Magnetic Low Voltage Multi-way Architectural Dimmer (ADMLV-703, ADMLV-1603)

High-capacity spec-grade dimmers for performance and energy savings

Adjust light output to ideal levels with slider

Adjustable low-end trim



For single-pole or multi-way applications; no neutral required

On/Off/Preset control

Easy personal labeling for identifying controlled lighting load

PROJECT
LOCATION/TYPE

## Product Overview

### Description

The ADMLV-703 and ADMLV-1603 Magnetic Low Voltage Architectural Dimmers provide easy on/off and preset dimming control of magnetic low voltage lighting loads via a switch and a slider. Designed to replace a standard light switch or dimmer, the devices allow for ideal light levels regardless of the activity taking place in a room. Each dimmer includes a wallplate with a slot for a user-supplied label behind a clear window.

### Operation

The ADMLV-703 and ADMLV-1603 are designed to dim permanently installed magnetic low voltage loads, and are not intended for use to control receptacles, fluorescent lights or motorized appliances. With ADMLV dimmers, users can brighten and dim the connected lights by moving the slider up and down. To lower lighting levels, users move the slider down. To raise lighting levels, users move the slider up. To turn lights on or off, users press the switch. Lighting will come on to the preset level, determined by the slider position.

### Multi-way Operation & Low-end Trim

The ADMLV-703 and ADMLV-1603 can be used in both single-pole and multi-way applications. In a three-way application, an ADMLV dimmer is installed in one location and a three-way switch in the other location. This provides the user with on/off and dimming control from the dimmer and on/off control from the switch. In a multi-way installation, one or more four-way switches are installed between the dimmer and three-way switch. The dimmers also allow the low-end trim to be set to accommodate different magnetic transformers. Users simply remove the wallplate and adjust the calibration dial.

### Applications

The ADMLV-703 and ADMLV-1603 can be used to save energy and reduce utility costs in a wide range of applications where magnetic low voltage lighting loads are common, such as accent lighting.

## Features

- Replaces standard single-pole or 3-way switch
- Operates magnetic low voltage loads
- Large switch turns connected load on or off
- Slider control for easy dimming or brightening
- Provides multi-way control when used with 3-way and 4-way switches
- No current leakage to load when switch is in off position for safety
- Choice of five decorator colors (White, Ivory, Light Almond, Grey and Black)
- Includes wallplate for single or multi-gang installation

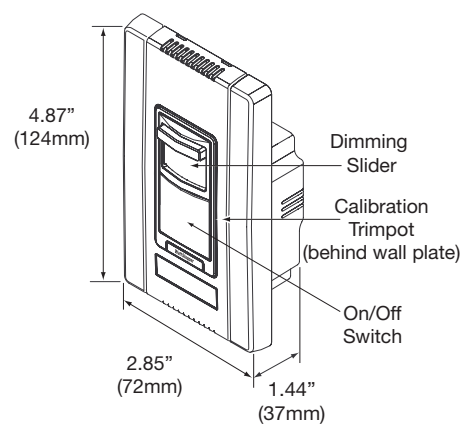


## Specifications

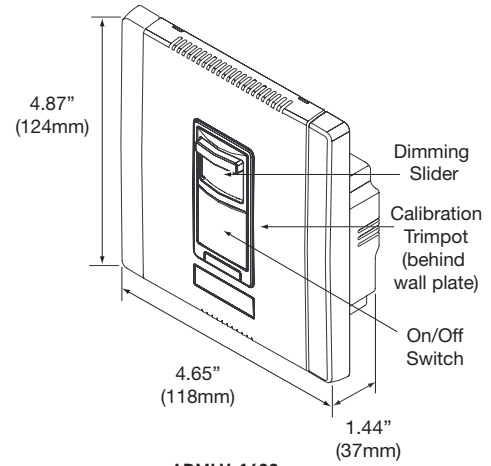
- 120 VAC; 60 Hz
- No neutral required
- Load ratings (magnetic low voltage):
  - ADMLV-703: 40-700VA
  - ADMLV-1603: 40-1600VA, see derating chart
- Filtered output for RFI suppression
- Includes voltage compensation circuitry for stabilized light output
- Use only one dimmer in a 3-way/multi-way circuit
- For indoor use only
- UL and cUL listed
- Five year warranty

## Controls & Wiring

### Product Controls

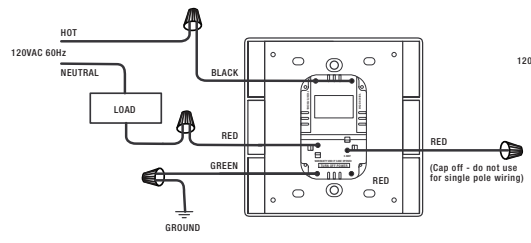


**ADMLV-703**

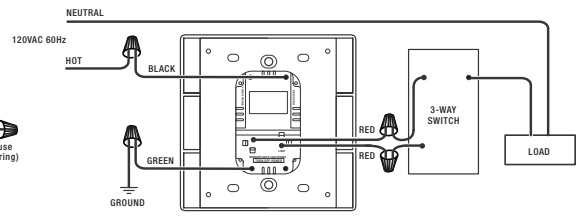


**ADMLV-1603**

### Single-pole Wiring



### 3-way/Multi-way Wiring



### Multi-gang Derating Information

Dimmer Catalog #	Maximum Load	Fins are NOT removed		Fins ARE removed	
		2-gang	3-gang	2-gang	3-gang
ADMLV-703	700VA	no derating required			
ADMLV-1603	1600VA	1600VA	1600VA	1600VA	1550VA

## Ordering Information

Catalog No.	Color	Description	Voltage	Load Rating
<input type="checkbox"/> ADMLV-703-W	White	Magnetic Low Voltage 700VA Multi-way Architectural Dimmer	120 VAC, 60 Hz	40-700VA
<input type="checkbox"/> ADMLV-703-I	Ivory			
<input type="checkbox"/> ADMLV-703-LA	Lt. Almond			
<input type="checkbox"/> ADMLV-703-G	Grey			
<input type="checkbox"/> ADMLV-703-B	Black			
<input type="checkbox"/> ADMLV-1603-W	White	Magnetic Low Voltage 1600VA Multi-way Architectural Dimmer	120 VAC, 60 Hz	40-1600VA
<input type="checkbox"/> ADMLV-1603-I	Ivory			
<input type="checkbox"/> ADMLV-1603-LA	Lt. Almond			
<input type="checkbox"/> ADMLV-1603-G	Grey			
<input type="checkbox"/> ADMLV-1603-B	Black			