

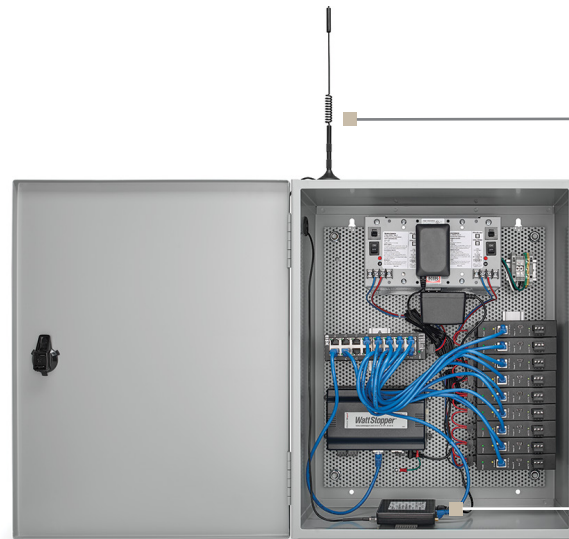
CONNECTED SERVICES

| RACCESS

Remote diagnostic support for start-up and troubleshooting

Factory-provided programming and configuration

Real-time system overview and training for facility managers/personnel



Relocatable cellular antenna

Dedicated priority access to Wattstopper experts

Customer-initiated remote diagnostic testing with notification of device problems

Dedicated 4G LTE modem for a secure connection

Description

RACCESS is the first offer within Wattstopper's new Connected Services suite of remote support services that supports new networked Digital Lighting Management (DLM) and Architectural Dimming (AD) lighting control systems. RACCESS employs hardware and software technology that make it possible to enhance our 1st year warranty and deliver the best installation and start-up experience to electrical contractors and the best first year experience to building owners. With a dedicated, secure cellular gateway, Wattstopper experts can connect to the system and provide immediate support, addressing many issues remotely that used to require an on-site visit for resolution. Beyond the first year, RACCESS provides the remote connectivity required to add future Connected Services that will ensure maximum energy savings and functionality over the life of your lighting control system.

Services Provided

Services included with RACCESS:

- New dedicated phone number for remote technical support
- Device diagnostic checks to ensure devices are connected to the network prior to on-site start-up
- Remote diagnostic support to troubleshoot system start-up issues
- Remote programming and configuration support for (sequence of operation changes, schedule changes, etc.)
- Device health checks with notification of device problems
- Summary report of all diagnostics activity at the conclusion of the 1st Year Enhanced Warranty

Enhanced 1st Year Warranty

With RACCESS, Wattstopper provides an Enhanced 1st Year Warranty that goes beyond a typical product warranty to provide the best possible experience with newly installed DLM and AD systems. While under warranty, RACCESS customers have the ability to call an expert who can adjust the way a room operates or change the lighting schedule. The Enhanced 1st Year Warranty is available to the electrical contractor and building owner throughout installation and the first year. Service agreement options are available to extend RACCESS beyond the 1st year.

System Requirements

RACCESS is compatible with new DLM and AD projects that have a Wattstopper Segment Manager LMSM-3E or LMSM-6E and Segment Manager user interface software version 2.2.x or later, and an InFusion controller (for Architectural Dimming). Projects must have SCOM (on-site start-up), SDRAW (design services) and an LMSM-ENC1 or LMNC-x networked cabinet. Our services team provides the SDRAW, SCOM, and the remote access hardware.

Regional Verizon cellular service coverage plus adequate signal strength must be present in the location where the modem is installed.

For retrofit of existing networked DLM and AD projects please contact sales.

PROJECT	LOCATION/ TYPE

Infrastructure Equipment

Secure Cellular Gateway Specifications

- Input Power: 12VDC, 1.5A
- Operating Temperature: -4°F to 140°F (-20°C to 60°C)
- Operating Humidity: 10%-85% operating, non-condensing
- Certifications: FCC, Verizon Carrier Certified
- Antenna Connection: SMA female
- Dimensions: (L x W x D) 3.3" x 4.0" x 0.9" (84mm x 102mm x 23mm)

Antenna Specifications

- Antenna Type: 12" Omni Directional High Gain 6.5dBi max
- Mounting: Magnetic, vertical orientation

- Cable Type: 12.5 FT SMA male connector
- Operating Temperature: -40°F to 131°F (-40°C to 55°C)
- Weight: 4oz
- Dimensions: (L x W) 12.5" x 1.5" (318mm x 38mm)

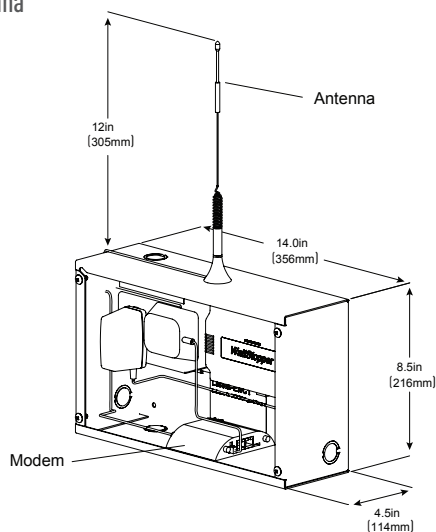
Cellular Connectivity

- Carrier: Verizon
- Wireless: 4G LTE
- Complimentary 1st year data plan provided by Wattstopper

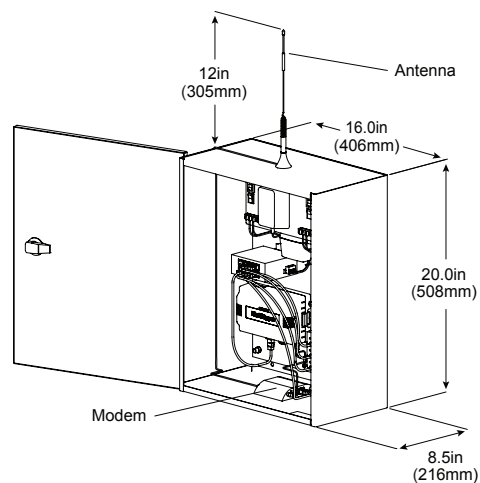
NOTE: Cellular data plan can be renewed after the first year—see service agreement options

Installation and Wiring

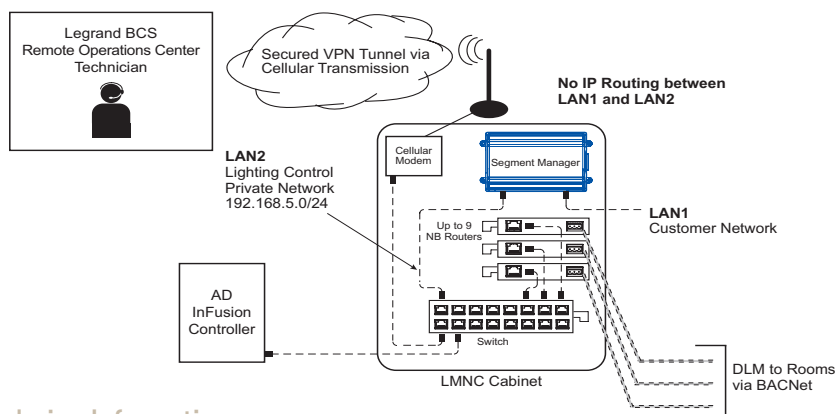
LMSM-ENC1 Network Enclosure with 3E Segment Manager, Modem and Antenna



LMNC-x Network Enclosure with 6E Segment Manager, Modem and Antenna



RACCESS Network Topology



Network Security

- Remote access connection only upon customer request
- Ports closed until needed (silent mode)
- Customer and lighting network segregation (no routing)
- Customer authentication and activity logging

Ordering Information

Catalog #	Description
<input type="checkbox"/> RACCESS-6	First year enhanced warranty for use with Segment Manager LMSM-6E DLM and AD systems; includes 4G LTE modem, 1st year cellular service data plan, and external antenna
<input type="checkbox"/> RACCESS-3	First year enhanced warranty for use with Segment Manager LMSM-3E DLM and AD systems; includes 4G LTE modem, 1st year cellular service data plan, and external antenna

Note: Cellular equipment and service plan are provided as part of an active RACCESS 1st Year Enhanced Warranty. Legrand reserves the right to modify, disable, and request return of the equipment.