

EQUINOX 40 LCD KEYPAD

EQ40TB-TI-II



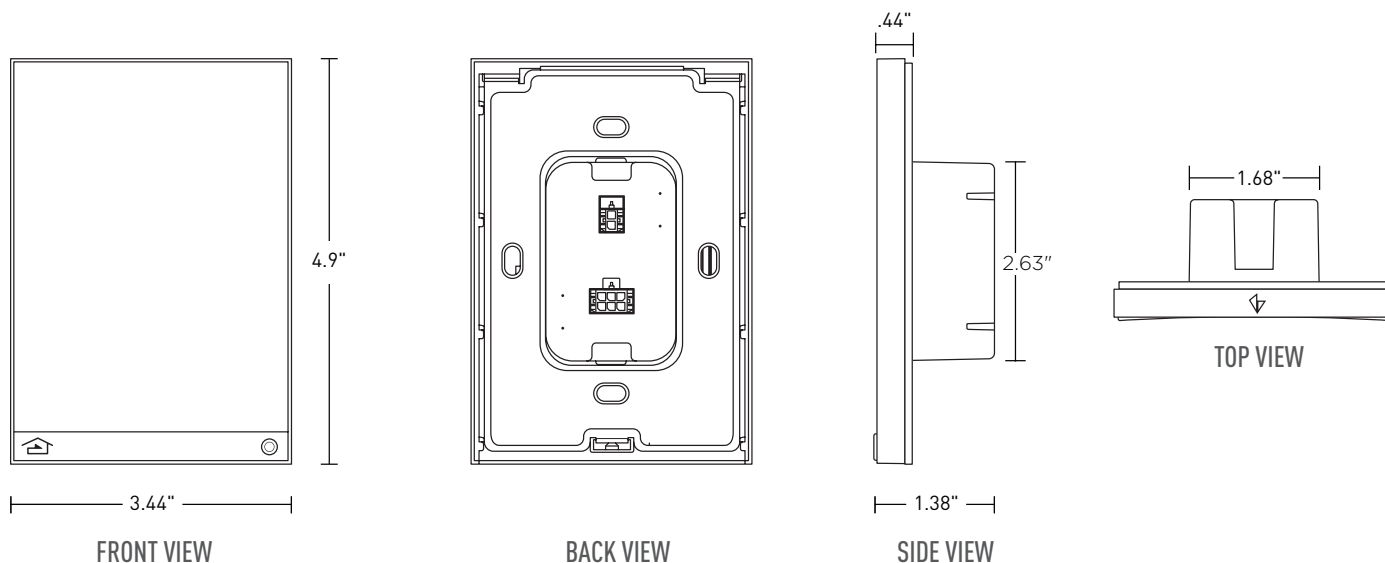
Description

Equinox 40 is a small, form factor LCD keypad that provides control of scenes, shades, audio, and climate in a single-gang keypad. It offers a simple navigation experience and is consistent with Equinox touchscreens and apps. Utilizing the power of Design Center software, Equinox 40 can be configured with multiple mini widget combinations and access to between 9-15 programmable lighting or scene buttons (depending on the configuration selected). Scene names and mini-widget combinations can be re-programmed through Design Center.

Operation

Equinox 40 is compatible with InFusion Design Center 3.1 software or higher and connects via Station Bus. Because it is powered by and communicates via Station Bus, Equinox 40 is a perfect addition to or upgrade from existing keypads to the digital environment. Each keypad can be configured with three independent mini-widgets, making the Equinox 40 an elegant choice for areas where lighting and climate control are desired. The auto-configuration capability in Design Center allows integrators to efficiently create intuitive screens that are consistent with the entire Equinox family of products.

PROJECT		LOCATION/ TYPE	
---------	--	-------------------	--



Highlights

An LCD keypad station that fits into a standard wall box, Equinox 40's on-wall profile is aesthetically identical to other Equinox touchscreens. Its abilities exceed that of a normal keypad, giving the user more control without being excessive. The mini widget interface simplifies control of climate and scenes. Equinox 40 can accept local sensor input through its auxiliary input port on the back of the keypad.

Applications

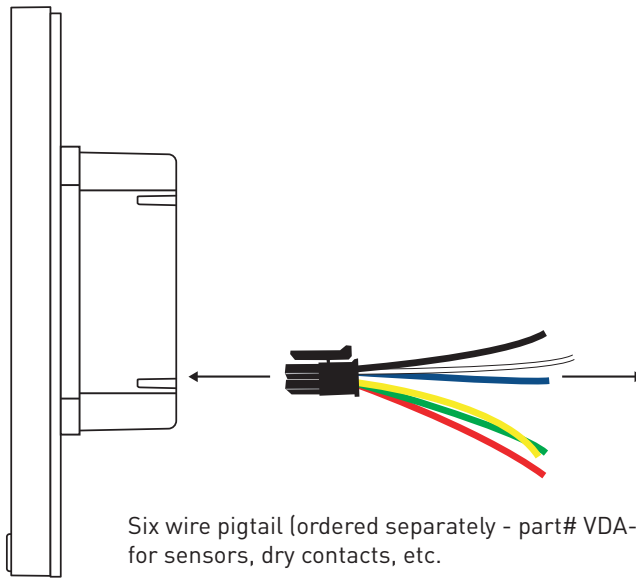
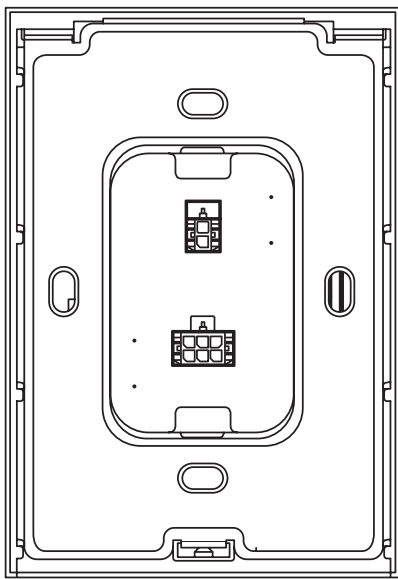
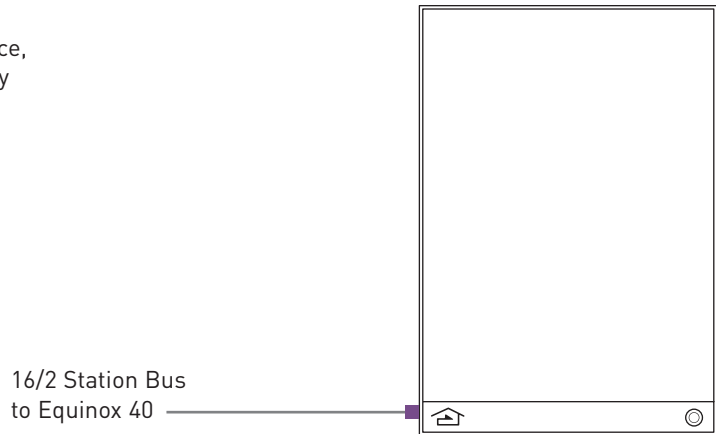
Equinox 40 is used on rooms or areas requiring more than eight buttons for control or that require a local audio or climate interface. The keypad can also be used as an easy upgrade to an LCD keypad from existing keypads to control multiple adjoining spaces or multiple sub-systems. Scene names and controlled functions can be dynamically updated as space use and needs evolve.

Features

- 4.3" LCD panel with projected capacitive touch interface
- Titanium TrimLine II frame; black glass-to-edge surface aesthetic
- Unique, mini graphical user interface, aesthetically identical to other Equinox devices
- Ambient light sensor for auto day/night backlighting
- Active proximity sensors for approach and auto sleep modes
- Up to four possible mini widget combinations
- Powered by InFusion Controllers
- Connected and powered via Station Bus
- Uses standard US and European single-gang wall box mechanics
- Dynamically updates when loads are adjusted or controlled
- Low power consumption (3.05 watts)
- Tap, swipe, press, and hold to navigate

Wiring Diagram

Connect via 16/2 Station Bus for power and control. Auxiliary connections to the station are wired to a six wire pigtail (ordered separately) for sensors, dry contacts, etc. Each auxiliary connection supplies a 15mA @ 12VDC power source, eliminating the need for an external power supply. Auxiliary powered devices using the black wire should not be earth grounded unless isolated.



Dimensions (LxWxD)

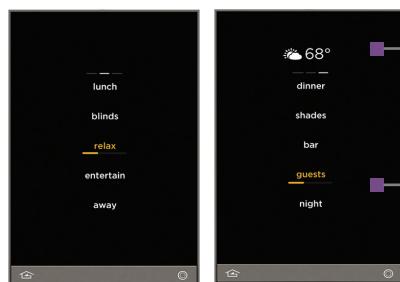
On-wall surface	4.9" x 3.44" x 0.44" (124mm x 87mm x 11mm)
Overall	4.9" x 3.44" x 1.38" (124mm x 87mm x 35mm)

Specifications

Model	EQ40TB-TI-II
Hard buttons	Left-home; right-programmable
Display	Active matrix color LCD
Display size	4.3" diagonal
Display resolution	480 x 272 pixels
Colors	16 bit color
Wiring connections	2 wire 600V pigtail (included) - 6 wire aux. pigtail (ordered separately)
Operating temperature	32°F - 95°F (0°C - 35°C)
Ambient operating humidity	5-95% non-condensing
Certification	CE, RoHS

Mini Widget Combinations

Equinox 40 has multiple mini widget areas at the top and middle of the LCD keypad



TOP WIDGET AREA – Comfort

Provides 5 options: temperature, adjust temperature, weather, clock, or blank

MIDDLE WIDGET AREA – Scenes

Swipe left or right through personalized pages based on user requirements and preferences

Supported Button Count - max, five per page

System Compatibility

InFusion

Ordering Information

Catalog #	Description	Voltage	Misc.
<input type="checkbox"/> EQ40TB-TI-II	Equinox 40 LCD Keypad	24V or 36V (based on controller voltage)	16 Bit color
<input type="checkbox"/> VDA-0015	6-wire Auxiliary Pigtail Assembly, 1 each		
<input type="checkbox"/> VDA-0015-L	6-wire Auxiliary Pigtail Assembly, package of 25		
<input type="checkbox"/> VDA-0040	2-wire Auxiliary Pigtail Assembly, 1 each		Each switch comes with one 2-wire pigtail
<input type="checkbox"/> VDA-0040-L	6-wire Auxiliary Pigtail Assembly, package of 25		
<input type="checkbox"/> VDA-01246-L	4-wire Auxiliary Pigtail, package of 25		