



# Incandescent Multi-way Paddle Dimmer (HD-703, HD-1103)

Dim lighting for increased energy savings

Adjust light output to ideal levels with slider

No derating required for 700W dimmer



For single-pole or multi-way applications; no neutral required

On/Off/Preset control

Ideal for both commercial and residential applications

PROJECT
LOCATION/TYPE

## Product Overview

### Description

The HD-703 and HD-1103 Incandescent Paddle Dimmers provide easy on/off and preset dimming control via a paddle switch and a low-profile slider. Designed to replace a standard light switch or dimmer, the devices allow for ideal light levels regardless of the activity taking place in a room. This provides versatility and customization for the user to apply to any setting.

### Operation

The Incandescent Paddle Dimmers brighten and dim the connected lights when the slider is moved up and down. As the slider is moved up towards the top of the product the connected lights will brighten. As the slider is moved towards the bottom of the product, the connected lights will dim. The paddle switches the lights on and off. The lights will turn back on to the preset level, determined by the position of the slider.

### Optional Multi-way Control

The HD-703 and HD-1103 dimmers can be used in either single-pole or multi-way applications. In a three-way application, an HD dimmer is installed in one location and a three-way switch is installed in the other location. If additional control locations are required, one or more four-way switches are installed in the middle of the circuit. A multi-way installation provides the user with on/off and dimming control from the dimmer, and on/off control from the switch(es).

### Applications

The HD-703 and HD-1103 dimmers are ideal for any space where dimming control of incandescent loads is desired. Installing paddle dimmers in spaces that may be used for multiple tasks, such as conference rooms or living/family rooms, allows users to set the lights to the most appropriate levels for specific activities. Additionally, in spaces such as lobbies and entrances lower light levels—still welcoming for visitors entering a building, but not necessarily at 100% throughout the entire day—are ideal.

## Features

- Replaces any standard single-pole or 3-way switch
- Operates incandescent and halogen loads
- LED for easy location in darkened rooms
- Large paddle switch turns connected load on or off
- Slider control for easy dimming or brightening
- Quickly recalls the last user setting
- No current leakage to load when switch is in off position for safety
- Choice of six decorator colors (NEMA White, NEMA Ivory, Almond, Light Almond, Grey and NEMA Black)
- Compatible with decorator wallplates

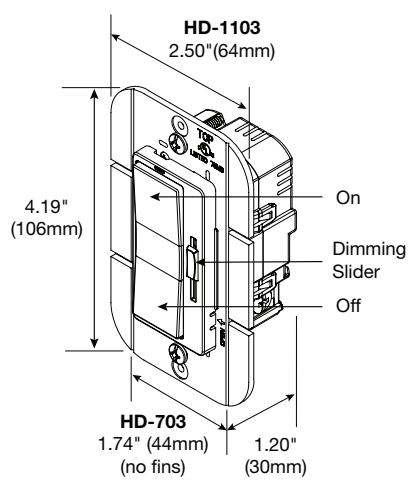


## Specifications

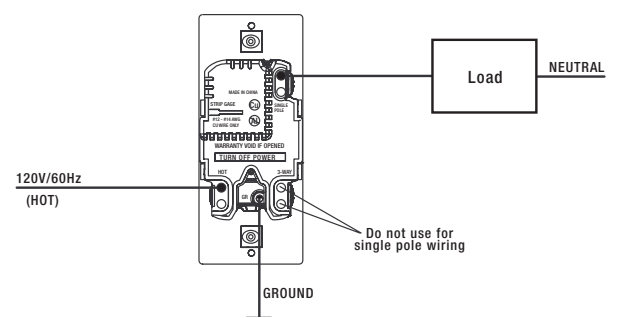
- 120VAC; 60Hz
- No neutral required
- Load ratings (incandescent):
  - HD-703: 50-700W; no derating required for multi-gang installation
  - HD-1103: 50-1100W; derating required - see chart below
- Filtered output for RFI suppression
- Use only one dimmer in a 3-way/multi-way circuit
- For indoor use only
- UL and cUL listed
- Five year warranty

## Controls & Wiring

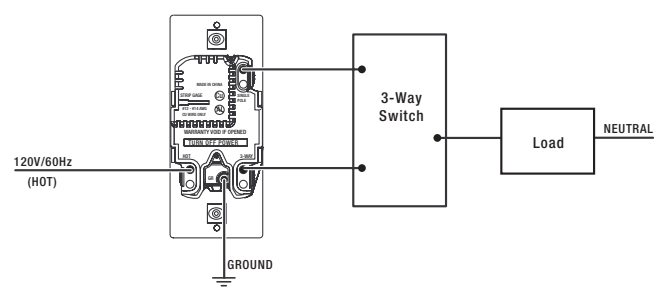
### Product Controls



### Single-pole Wiring



### 3-way/Multi-way Wiring



### Multi-gang Derating Information

Dimmer Catalog #	Maximum Load	2-Gang Installation (One fin removed from HD-1103)	3-Gang Installation (Both fins removed from HD-1103)
HD-703	700W	No derating required	
HD-1103	1100W	1000W	800W

## Ordering Information

Catalog No.	Color	Description	Voltage	Load Rating
<input type="checkbox"/> HD-703-W	White	Incandescent 700W Multi-way Paddle Dimmer	120VAC, 60Hz	50-700W
<input type="checkbox"/> HD-703-I	Ivory			
<input type="checkbox"/> HD-703-A	Almond			
<input type="checkbox"/> HD-703-LA	Lt. Almond			
<input type="checkbox"/> HD-703-G	Grey			
<input type="checkbox"/> HD-703-B	Black			
<input type="checkbox"/> HD-1103-W	White	Incandescent 1100W Multi-way Paddle Dimmer	120VAC, 60Hz	50-1100W
<input type="checkbox"/> HD-1103-I	Ivory			
<input type="checkbox"/> HD-1103-A	Almond			
<input type="checkbox"/> HD-1103-LA	Lt. Almond			
<input type="checkbox"/> HD-1103-G	Grey			
<input type="checkbox"/> HD-1103-B	Black			

Order wallplate separately.