

# Universal Multi-way Paddle Dimmer (HDA-703)

Dim lighting for increased energy savings

Adjust light output to ideal levels with slider

On/Off/Preset control



Controls all load types; selectable forward or reverse phase control operation

For single-pole or multi-way applications

Ideal for both commercial and residential applications

PROJECT
LOCATION/TYPE

## Product Overview

### Description

The HDA-703 Universal Paddle Dimmer provides easy on/off and preset dimming control via a paddle switch and a low-profile slider. Designed to replace a standard light switch or dimmer, the device allows for ideal light levels regardless of the activity taking place in a room. This provides versatility and customization for the user to apply to any setting.

### Operation

The HDA-703 Universal Paddle Dimmer brightens and dims the connected lights when the slider is moved up and down. As the slider is moved up the connected lights will brighten. As the slider is moved down, the connected lights will dim. The paddle switches the lights on and off. The lights will turn back on to the preset level, determined by the position of the slider. The HDA-703 dimmer can be used in either single-pole or multi-way applications. In a three-way application, an HDA dimmer is installed in one location and a three-way switch is installed in the other location. A multi-way installation provides the user with on/off and dimming control from the dimmer, and on/off control from the switch(es).

## Features

- Replaces any standard single-pole or 3-way switch
- Operates incandescent, halogen, electronic low voltage (ELV), magnetic low voltage (MLV), electronic fluorescent (EFL), compact fluorescent (CFL), and light emitting diode (LED) loads
- LED for easy location in darkened rooms
- Large paddle switch turns connected load on or off
- Slider control for easy dimming or brightening
- Quickly recalls the last user setting
- No current leakage to load when switch is in off position for safety
- Choice of six decorator colors (NEMA White, NEMA Ivory, Almond, Light Almond, Grey and NEMA Black)
- Compatible with decorator wallplates

## Universal Operation

The HDA-703 dimmer controls LED, ELV, MLV, CFL, EFL, incandescent and halogen loads. It features selectable forward or reverse phase control operation for optimal control of different load types. A switch, hidden behind the wallplate, changes the dimmer from the factory default forward phase control operation to reverse phase control operation. The dimmer also allows easy low-end trim calibration for use with different load types.

## Applications

The HDA-703 Universal Dimmer offers a single product solution for dimming control using any type of load. Installing paddle dimmers in spaces that may be used for multiple tasks, such as conference rooms or living/family rooms, allows users to set the lights to the most appropriate levels for specific activities. They are recommended as stand-alone replacements for single-pole or multi-way light switches for all commercial and residential applications, except those without a neutral wire at the dimmer location.





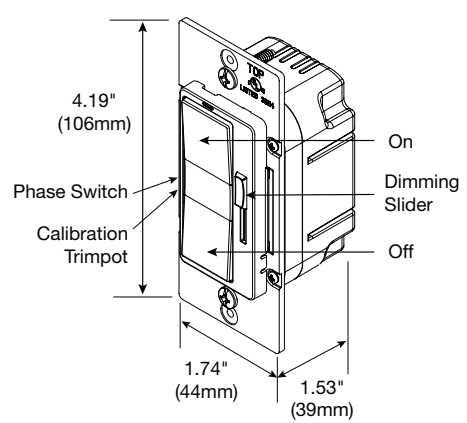
## Specifications

- 120VAC; 60Hz
- Minimum load 6W; maximum load ratings:
  - Incandescent, halogen, ELV: 700W
  - CFL, LED: 450W
  - MLV: 500VA
  - EFL: 5.5A
- Maximum load ratings for reverse phase control applications in 3-gang installations:
  - Incandescent, halogen, ELV: 650W
  - EFL: 5A

- No derating for forward phase control applications
- Neutral required
- Filtered output for RFI suppression
- Use only one dimmer in a 3-way/multi-way circuit
- For indoor use only
- UL and cUL listed
- Five year warranty

## Controls & Wiring

### Product Controls

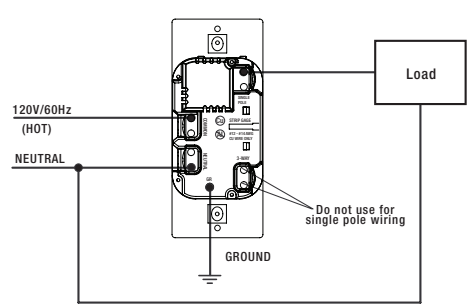


### Compatible Lamps

#### CFL

Manufacturer	Models
Ecosmart	ES5CCDF052 (8TC05), ES5M814DIM2 (40114), ES5M10123 (10123), BPESL11R20/DIM/ESM (2R2014DIM), ES5R315DIM50K (2R3015DIM), ES5R315DIM35K (2R3015DIM), ES5R214DIM50K (2R2014DIM)
Feit	BPESL15T/DM, BPESL23T/DM
Bright Effects	LBP13TC/DM
GE	FLE15HT3/2/DV/SW, FLE26HT3/2/DV/SW, FLE26/2/DV/R40
Philips	EL/A PAR38 DIM 20W, EL/A R30 DIM 16W, EL/A R40 DIM 20W, EL/mdT DIM 15W, EL/mdT DIM 20W
TCP	2R2014DIM, 2R3016DIM, 2R4019DIM, 8A08WH, 8TC05F, 8T03CL, 40114, 40123
Sylvania	CF5EL/DECO/DIM, CF14EL/TWIST/827/DIM, CF14EL/R20/DIM, CF15EL/BR30/DIM, CF19EL/BR40/DIM, CF24EL/TWIST/DIM
Halco	CFL15/27/DIM, CFL15/27/R30/DIM, CFL23/27/DIM, CFL23/27/R40/DIM

### Single-pole Wiring

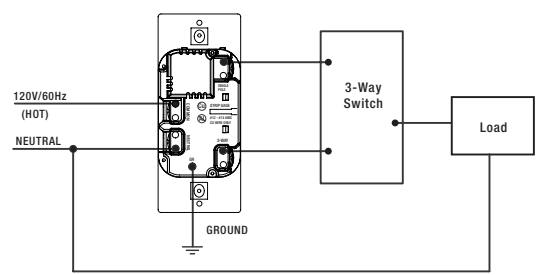


### Compatible Ballasts

#### Fluorescent

Manufacturer	Models
Advance Mark 10®	REZ-132-SC, REZ-2532-SC, REZ-3532-SC, REZ-154, REZ-2554, REZ-1Q18-M2, REZ-2Q18-M2, REZ-1T42-M2, REZ-2Q26-M2, REZ-2T42-M3, REZ-1TTS40, REZ-1TTS40-SC, REZ-2TTS40, REZ-2TTS40-SC, IEZ-2S24-D
Advance Ambistar	REB-2S26-M1-LS-DIM, REB-2S26-M1-BS-DIM
Lutron Tu-Wire®	2W-T426-120-1-S, 2W-T426-120-2-S, 2W-T432-120-1-S, 2W-T432-120-2-S, 2W-T832-120-1-S, 2W-T832-120-2-S
Sylvania/Osram	QTP1x32T8/UNV DIM, QTP2x32T8/UNV DIM, QTP3x32T8/UNV DIM, QTP4x32T8/UNV DIM

### 3-way/Multi-way Wiring



## Ordering Information

Catalog No.	Color	Description	Voltage	Load Rating
<input type="checkbox"/> HDA-703-W	White	Universal Multi-way Dimmer	120VAC, 60Hz	Incandescent, ELV, Halogen: 6-700W CFL/LED: 6-450W MLV: 500VA EFL: 5.5A
<input type="checkbox"/> HDA-703-I	Ivory			
<input type="checkbox"/> HDA-703-A	Almond			
<input type="checkbox"/> HDA-703-LA	Lt. Almond			
<input type="checkbox"/> HDA-703-G	Grey			
<input type="checkbox"/> HDA-703-B	Black			

Order wallplate separately.