

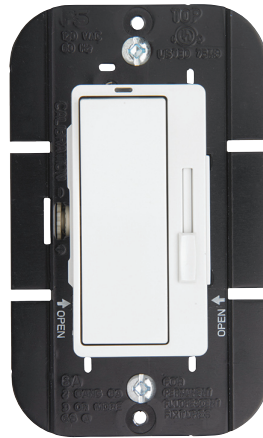


Two-wire Fluorescent Multi-way Paddle Dimmer (HDFM-8A)

Dim lighting for increased energy savings

Adjust light output to ideal levels with slider

Adjustable low-end trim



For single-pole or multi-way applications; no neutral required

On/Off/Preset control

Suitable for commercial or residential applications

PROJECT
LOCATION/TYPE

Product Overview

Description

The HDFM-8A Fluorescent Multi-way Paddle Dimmer provides easy on/off and preset dimming control of two-wire dimmable fluorescent lighting loads via a paddle switch and a low-profile slider. Designed to replace a standard light switch or dimmer, the device allows for ideal light levels regardless of the activity taking place in a room.

Operation

With Fluorescent Paddle Dimmers, users can brighten and dim the connected lights by moving the slider up and down. As the slider is moved up towards the top of the product the connected lights will brighten. As the slider is moved towards the bottom of the product, the connected lights will dim. The paddle switches the lights on and off. The lights will turn back on to the preset level, determined by the position of the slider.

Multi-way Control & Low-end Trim

The HDFM-8A can be used in both single-pole and multi-way applications. In multi-way applications, a HDFM-8A dimmer is installed in one location and a three-way switch is installed in the other location. If additional control locations are required, one or more four-way switches are installed in the middle of the circuit. A multi-way installation provides the user with on/off and dimming control from the dimmer, and on/off control from the switch(es). The dimmers also allow easy low-end trim calibration for use with different compatible dimming ballasts. Users simply remove the wallplate to adjust the calibration dial.

Applications

The HDFM-8A can be used to save energy and reduce utility costs in applications where fluorescent lighting loads are common, such as private offices and conference rooms.

Features

- Replaces any standard single-pole or 3-way switch
- Operates specific fluorescent loads
- LED for easy location in darkened rooms
- Large paddle switch turns connected load on or off
- Slider control for easy dimming or brightening
- Quickly recalls the last user setting
- No current leakage to load when switch is in off position for safety
- Choice of six decorator colors (NEMA White, NEMA Ivory, Almond, Light Almond, Grey and NEMA Black)
- Compatible with decorator wallplates

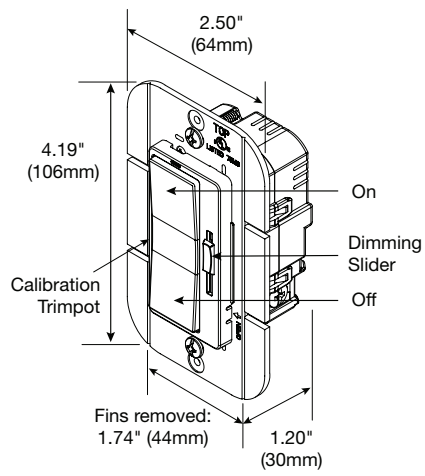


Specifications

- 120VAC; 60Hz
- No neutral required
- Load rating (compatible fluorescent loads only): 0.3 - 8A; derating required - see chart below
- Filtered output for RFI suppression
- Includes voltage compensation circuitry for stabilized light output
- Use only one dimmer in a 3-way/multi-way circuit
- For indoor use only
- UL and cUL listed
- Five year warranty

Controls & Wiring

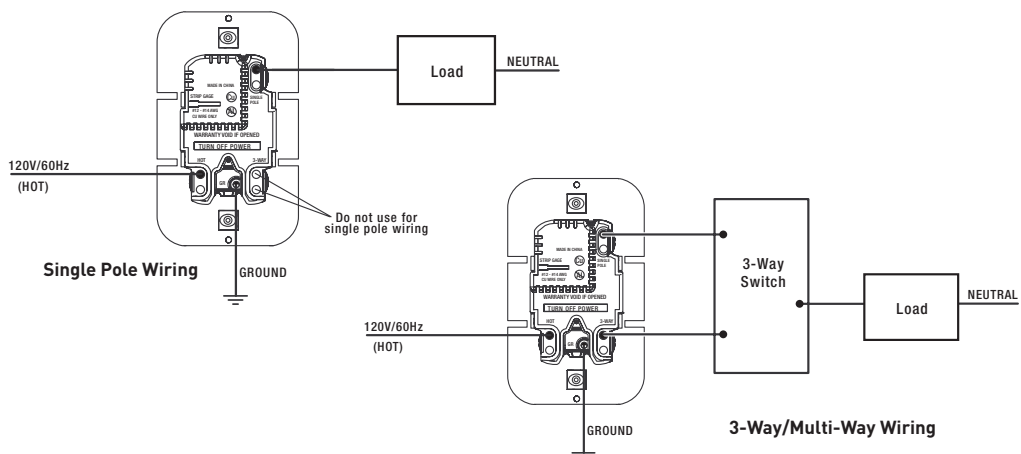
Product Controls



Compatible Ballasts

Manufacturer	Models
Advance Mark 10®	REZ-132-SC, REZ-2S32-SC, REZ-3S32-SC, REZ-154, REZ-2S54, REZ-1Q18-M2, REZ-2Q18-M2, REZ-2Q26-M2, REZ-1T42-M2, REZ-2T42-M3, REZ-1TTS40, REZ-1TTS40-SC, REZ-2TTS40, REZ-2TTS40-SC, IEZ-2S24-D
Advance Ambistar	REB-2S26-M1-LS-DIM, REB-2S26-M1-BS-DIM
Lutron Tu-Wire®	2W-T426-120-1-S, 2W-T426-120-2-S, 2W-T432-120-1-S, 2W-T432-120-2-S, 2W-T832-120-1-S, 2W-T832-120-2-S
Sylvania Quicktronic® Powersense™	QTP1x32T8/UNV DIM, QTP2x32T8/UNV DIM, QTP3x32T8/UNV DIM, QTP4x32T8/UNV DIM

Wiring Diagrams



Multi-gang Derating Information

Dimmer Catalog #	Maximum Load	2-Gang Installation One fin removed	3-Gang Installation Both fins removed
HDFM-8A	8A	No derating required	6.5A

Ordering Information

Catalog No.	Color	Description	Voltage	Load Rating
<input type="checkbox"/> HDFM-8A-W	White	Two-wire Fluorescent Multi-way Paddle Dimmer	120VAC, 60Hz	0.3-8A
<input type="checkbox"/> HDFM-8A-I	Ivory			
<input type="checkbox"/> HDFM-8A-A	Almond			
<input type="checkbox"/> HDFM-8A-LA	Lt. Almond			
<input type="checkbox"/> HDFM-8A-G	Grey			
<input type="checkbox"/> HDFM-8A-B	Black			

Order wallplate separately.