



Magnetic Low Voltage Multi-way Paddle Dimmer (HDMLV-703, HDMLV-1103)

Dim lighting for increased energy savings

Adjust light output to ideal levels with slider

Adjustable low-end trim



For single-pole or multi-way applications; no neutral required

On/Off/Preset control

Suitable for commercial or residential applications

PROJECT
LOCATION/TYPE

Product Overview

Description

The HDMLV-703 and HDMLV-1103 Magnetic Low Voltage Paddle Dimmers provide easy on/off and preset dimming control of magnetic low voltage lighting loads via a paddle switch and a low-profile slider. Designed to replace a standard light switch or dimmer, the devices allow for ideal light levels regardless of the activity taking place in a room.

Operation

With HDMLV Magnetic Low Voltage Dimmers, users can brighten and dim the connected lights by moving the slider up and down. As the slider is moved up towards the top of the product the connected lights will brighten. As the slider is moved towards the bottom of the product, the connected lights will dim. The paddle switches the lights on and off. The lights will turn back on to the preset level, determined by the position of the slider.

Multi-way Control & Low-end Trim

The HDMLV-703 and HDMLV-1103 can be used in both single-pole or multi-way applications. In a three-way application, an HDMLV dimmer is installed in one location and a three-way switch is installed in the other location. If additional control locations are required, one or more four-way switches are installed in the middle of the circuit. A multi-way installation provides the user with on/off and dimming control from the dimmer, and on/off control from the switch(es). The dimmers also allow easy low-end trim calibration for use with different magnetic transformers. Users simply remove the wallplate to adjust the calibration dial.

Applications

The PDMLV-703 and PDMLV-1103 can be used to save energy and reduce utility costs in both commercial and residential applications where magnetic low voltage lighting loads are common, such as accent lighting.

Features

- Replaces any standard single-pole or 3-way switch
- Operates magnetic low voltage loads
- LED for easy location in darkened rooms
- Large paddle switch turns connected load on or off
- Slider control for easy dimming or brightening
- Quickly recalls the last user setting
- No current leakage to load when switch is in off position for safety
- Choice of six decorator colors (NEMA White, NEMA Ivory, Almond, Light Almond, Grey and NEMA Black)
- Compatible with decorator wallplates

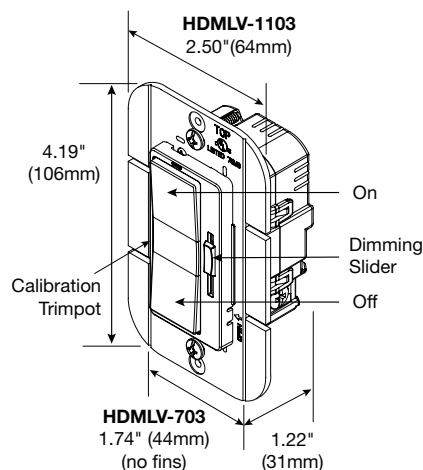


Specifications

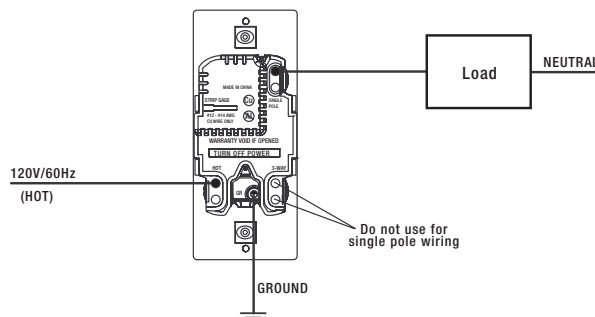
- 120VAC; 60Hz
- No neutral required
- Load ratings (magnetic low voltage):
 - HDMLV-703: 50-700VA, derating required - see chart below
 - HDMLV-1103: 50-1100VA, derating required - see chart below
- Filtered output for RFI suppression
- Use only one dimmer in a 3-way/multi-way circuit
- For indoor use only
- UL and cUL listed
- Five year warranty

Controls & Wiring

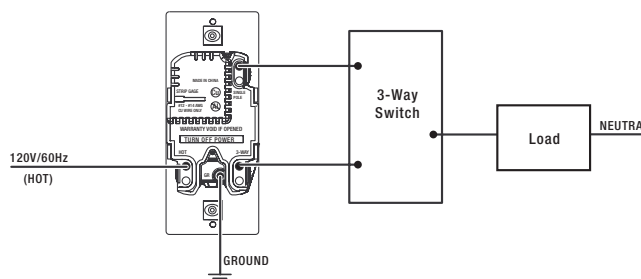
Product Controls



Single-pole Wiring



3-way/Multi-way Wiring



Multi-gang Derating Information

Dimmer Catalog #	Maximum Load	2-Gang Installation (One fin removed from HDMLV-1103)	3-Gang Installation (Both fins removed from HDMLV-1103)
HDMLV-703	700VA	No derating required	650VA
HDMLV-1103	1100VA	950VA	700VA

Ordering Information

	Catalog No.	Color	Description	Voltage	Load Rating
<input type="checkbox"/>	HDMLV-703-W	White	Magnetic Low Voltage 700VA Multi-way Paddle Dimmer	120VAC, 60Hz	50-700VA
<input type="checkbox"/>	HDMLV-703-I	Ivory			
<input type="checkbox"/>	HDMLV-703-A	Almond			
<input type="checkbox"/>	HDMLV-703-LA	Lt. Almond			
<input type="checkbox"/>	HDMLV-703-G	Grey			
<input type="checkbox"/>	HDMLV-703-B	Black			
<input type="checkbox"/>	HDMLV-1103-W	White	Magnetic Low Voltage 1100VA Multi-way Paddle Dimmer	120VAC, 60Hz	50-1100VA
<input type="checkbox"/>	HDMLV-1103-I	Ivory			
<input type="checkbox"/>	HDMLV-1103-A	Almond			
<input type="checkbox"/>	HDMLV-1103-LA	Lt. Almond			
<input type="checkbox"/>	HDMLV-1103-G	Grey			
<input type="checkbox"/>	HDMLV-1103-B	Black			

Order wallplate separately.