

DLM COLOR CONTROL SCHEDULE SWITCH

| LMTS-101-CCT



Description

The LMTS-101-CCT from Wattstopper allows building occupants to enjoy the benefits of Human Centric Lighting by automatically adjusting Correlated Color Temperature (CCT) on a scheduled cycle throughout the day. It can make any building environment feel more visually comfortable by automatically replicating the inviting feeling of natural daylight, but is especially well-suited for commercial offices, healthcare, and educational facilities.

The interface is designed to work with light fixtures that are enabled for tunable white with Blanco and Araya logic modules (also from Wattstopper).

Out of the box, the LMTS-101-CCT features Custom CCT event scheduling, which provides an automatic cycle of color temperature adjustment that runs from morning to evening. A user can easily alter the sequence schedule for a specific application. Alternatively, the Astro CCT event scheduling feature uses a location based Astronomical Clock which can replicate the precise seasonal sunrise and sunset cycle for the building's location based on longitude and latitude.

The LMTS-101-CCT is simple to install and commission, creating a default sequence of operation within Wattstopper's Digital Lighting Management (DLM) system once it is plugged into a DLM In-room network.

Features

- Automated CCT control based on the building's geographical location via an astronomical clock
- Automatically runs a default suggested cycle of color temperature adjustment out of the box
- Custom CCT event scheduling option provides the ability to schedule custom CCT levels as well as time sequences.
- 72 hour power failure memory back-up
- Compatible with fixtures that are enabled with Blanco and Araya logic modules sold separately from Wattstopper
- Plug n' Go™ component which communicates with all other DLM devices connected to the DLM local network
- Low-profile styling with the choice of five decorator colors and compatible with decorator wall plates
- LED indicator for visibility in darkened rooms

Operation

When the LMTS-101-CCT is powered up for the first time, the user sets the time, date, and inputs the local longitude and latitude. This enables automatic operation which is accurate for that location. Users can manually turn the connected load on or off by pressing the on/off button (default), or program the button to override the schedule.

Astro CCT event scheduling allows the LMTS-101-CCT to make seasonal adjustments based on the astronomical settings. The user can program the Astro schedules with six predefined events or use the default events which mimic the cycle of sunrise through sunset. For each event, you set the level of CCT as a percentage, based on the range of CCT for that fixture.

Custom CCT event scheduling provides the ability to edit more of the default parameters for each event, including start time, stop time and a target CCT level. The custom event schedules start with a factory default of five events. Users can add up to three more if desired.

The LMTS-101-CCT is Plug n' Go™ compatible, so all CCT compatible loads in the local DLM room network will automatically respond to scheduled events. Additionally, all loads will respond to the On/Off button whether or not they are CCT compatible.

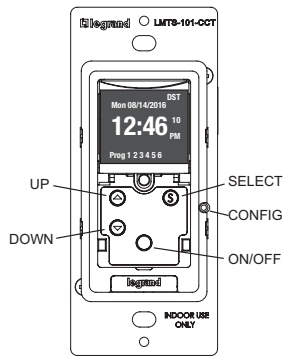
PROJECT

LOCATION/
TYPE

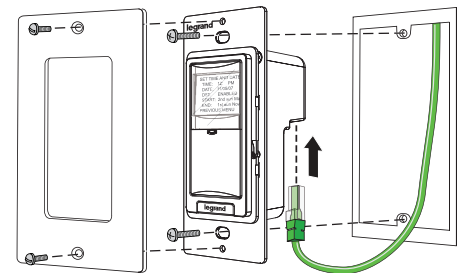
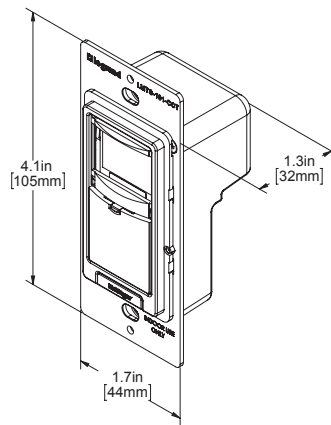
Specifications

- Voltage: 24VDC from DLM local network
- Current Consumption: 12mA
- Power Supply: Wattstopper Room Controllers
- Connection to the DLM Local Network: 2 RJ-45 ports
- DLM Local Network parameters:
 - Low voltage power provided over Cat 5e cable (LMRJ)
 - max current 800mA; Supports up to 64 load addresses
 - 48 communicating devices
- Free topology, Cat 5E, 150' per device, up to 1,000' max.
- Operating conditions: for indoor use only; 32° to 131°F (0° to 55°C); 5 to 95% RH, non condensing
- UL and cUL listed (E101196)
- FCC part 15 compliant
- Five year warranty

Controls, Dimensions, and Mounting



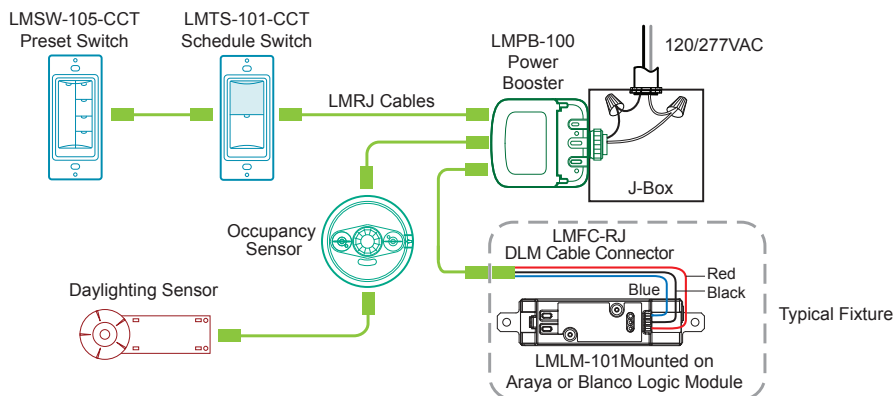
LMTS-101-CCT with button removed for access to programming controls



LMTS-101-CCT fits in standard single gang boxes.

Connection

Sample Connection Diagram with Blanco/Araya Enabled Fixtures



NOTE: Each DLM local network must include a DLM room controller, relay panel, or power booster to supply low voltage power to the LMLM-101.

Ordering Information

Catalog #	Color	Description
<input type="checkbox"/> LMTS-101-CCT-W	White	Low Voltage CCT Timer Switch
<input type="checkbox"/> LMTS-101-CCT-LA	Light Almond	Low Voltage CCT Timer Switch
<input type="checkbox"/> LMTS-101-CCT-I	Ivory	Low Voltage CCT Timer Switch
<input type="checkbox"/> LMTS-101-CCT-G	Grey	Low Voltage CCT Timer Switch
<input type="checkbox"/> LMTS-101-CCT-B	Black	Low Voltage CCT Timer Switch
<input type="checkbox"/> LMTS-101-CCT-R	Red	Low Voltage CCT Timer Switch

Switches do not include face plates. Order decorator style plate separately.