

# PASSIVE INFRARED LOW VOLTAGE WALL SWITCH OCCUPANCY SENSOR

## PW-100-24

High sensitivity and dense coverage for exceptional performance

Low voltage input

Color-matched lens and low profile for appealing design



Selectable operation, walk-through, test and presentation modes for increased energy savings and convenience

Defaults to Manual-ON operation for maximum energy savings

## Description

The PW-100-24 passive infrared (PIR) low voltage wall switch sensor can turn lights OFF and ON based on occupancy. It is characterized by high sensitivity to small and large movements, appealing aesthetics, and a variety of features.

## Operation

Factory default operation is for Manual-ON, so that users turn lights on only when needed. The PW-100-24 uses advanced PIR technology to detect occupancy and keep lighting ON when it is needed. Once the space is vacated and the time delay elapses, lights automatically turn OFF. DIP switch settings allow for a variety of control options such as Auto-ON operation, walk-through and test modes.

## Features

- Detection Signature Processing eliminates false triggers and provides immunity to RFI and EMI
- Zero-crossing for long relay life
- Vandal resistant lens combines precise coverage with durability
- Choice of Manual-ON or Auto-ON operation
- Selectable walk-through mode turns lights off three minutes after the room is initially occupied if no motion is detected after the first 30 seconds
- Test mode allows quick and easy adjustments
- LED indicates occupancy detection
- Selectable audible and/or visual alerts for impending shutoff
- In automatic mode, sensor returns automatically to Auto-ON after lights are turned off manually; ideal for presentations
- Optional light level sensing with simple setup
- Service mode allows sensor to operate as a service switch in the unlikely event of a failure
- Sensor coverage tested to NEMA Guide Publication WD 7-2000
- Compatible with decorator wall plates

## Low Voltage

Low voltage wall switch sensors can offer advantages over line voltage models. Using an isolated form-C relay output, the PW-100-24 sensor integrates seamlessly with VAV or other building systems for greater energy savings. Multiple PW-100-24 sensors can also be connected on a single circuit and can switch loads that exceed the rating of a standard line voltage switch. In addition, low voltage sensor installations do not require the use of conduits reducing installation costs and making relocation easier.

## Applications

The PW-100-24 is the perfect choice for locations where line voltage wiring is not possible or for jurisdictions prohibiting the use of 277V switches. It is well suited for small enclosed spaces with clear line of sight of the occupant. Common applications include small offices, small conference rooms, and lunch/break rooms.

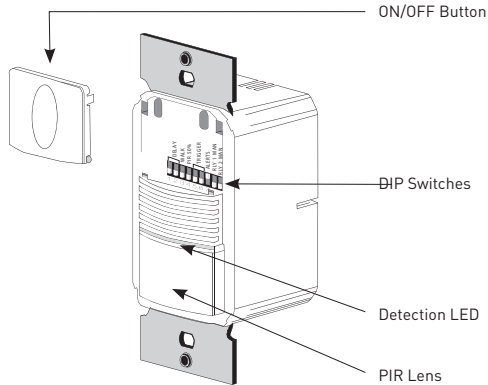
PROJECT	LOCATION/ TYPE
---------	-------------------

## Specifications

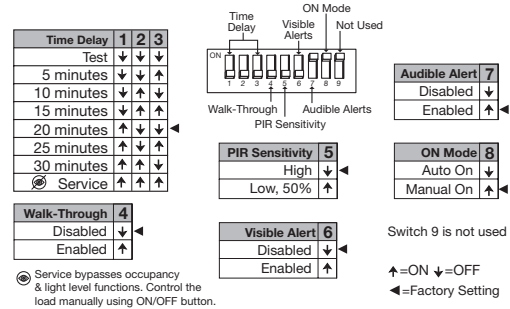
- 18-24 VDC, 24 VAC and halfwave rectified AC
- Current consumption: 20 mA
- PW-100-24 contains single-pole, double-throw isolated relay rated for 1 A @ 30 VDC
- Time delays: 5, 10, 15, 20, 25 or 30 minutes, walk-through, test-mode
- Coverage: Major motion 35' x 30'  
Minor motion 20' x 15'
- Sensitivity adjustment: PIR (high/low)
- Dimensions: 2.73" x 1.76" x 1.83"  
(69.3mm x 44.7mm x 46.5mm) L x W x D
- UL and cUL listed
- Five year warranty

## Controls & Settings

### Product Controls

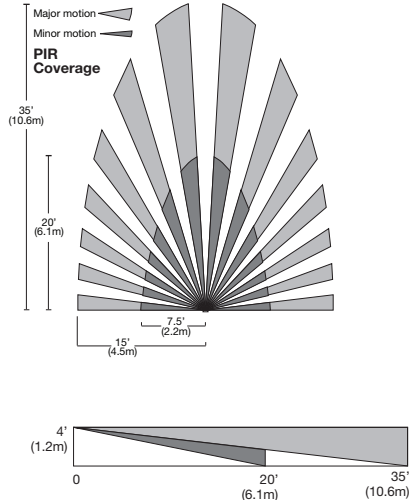


### DIP Switch Settings



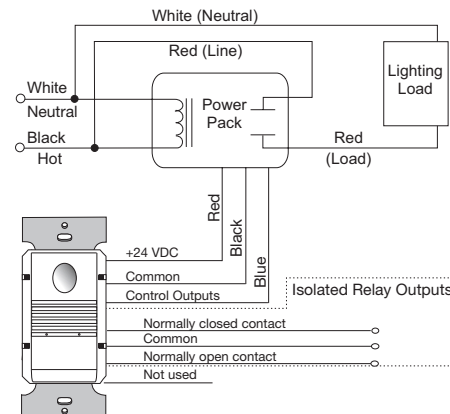
## Coverage & Wiring

### Coverage Pattern



For best performance, Wattstopper recommends using this sensor in spaces no larger than 15' x 12'.

### PW-100-24 Low Voltage Wiring



## Ordering Information

Catalog #	Color	Voltage
<input type="checkbox"/> PW-100-24-W	White	18-24 VDC, 24 VAC and halfwave rectified AC
<input type="checkbox"/> PW-100-24-LA	Lt. Almond	
<input type="checkbox"/> PW-100-24-I	Ivory	
<input type="checkbox"/> PW-100-24-G	Grey	
<input type="checkbox"/> PW-100-24-B	Black	

Order wall plate separately.