

PASSIVE INFRARED DIMMABLE WALL SWITCH OCCUPANCY SENSOR

PW-100D & PW-101D

High sensitivity and dense coverage for exceptional performance

Defaults to Manual-ON operation for maximum energy savings

Color-matched lens and low profile for appealing design



Pushbutton dimming control and optional locked preset level for many lighting types

Selectable operation, walk-through, test and presentation modes for increased energy savings and convenience

Part of a comprehensive line of PIR, Ultrasonic and Dual Technology wall switch sensors



Description

The PW-100D and PW-101D passive infrared (PIR) dimmable wall switch sensors can turn light OFF and ON based on occupancy. It is characterized by high sensitivity to small and large movements, appealing aesthetics, and a variety of features.

Operation

The PW-100D and PW-101D replace existing wall switches and fit in a single gang junction box. The PW-100D is a two wire switch, while the PW-101D is a three wire switch requiring a neutral connection. Factory default operation is for Manual-ON. It uses advanced PIR technology to detect occupancy and keep lighting on when it is needed. Once the space is vacated and the time delay elapses, lights automatically fade OFF. The ramp and fade times can be fast or slow. DIP switch settings allow for control options including Auto-ON to the last used level or a locked preset level, walk-through and test modes.

Features

- Detection Signature Processing eliminates false triggers and provides immunity to RFI and EMI
- Zero-crossing for long relay life
- Vandal resistant lens combines precise coverage with durability
- Choice of Manual-ON or Auto-ON operation
- Selectable walk-through mode turns lights off three minutes after the room is initially occupied if no motion is detected after the first 30 seconds
- Test mode allows quick and easy adjustments
- Selectable audible and/or visual alerts for impending shutoff
- Can dim lights to any level without affecting the preset level
- Preset ramp and fade times
- In automatic mode, sensor returns automatically to Auto-ON after lights are turned off manually; ideal for presentations
- LED indicates occupancy detection
- Optional light level sensing with simple setup
- Service mode allows sensor to operate as a service switch in the unlikely event of a failure
- 2-wire and 3-wire models available for applications with or without neutral wire
- Sensor coverage tested to NEMA Guide Publication WD 7-2000
- Compatible with decorator wall plates
- BAA/TAA-compliant models available

Dimming Control

The PW-10xD can dim lighting from a minimum level of 10% to full output. When the pushbutton is pressed and held, lighting will ramp up or dim down. The dimming direction is reversed when the pushbutton is momentarily released and then pressed and held again. To save energy and increase lamp life, the PW-10xD is shipped with a factory preset of 85%. This preset level may be changed to any lighting level.

Applications

The PW-10xD sensor is well suited for small, enclosed spaces with clear line of sight of the occupant. Common applications include small offices and small conference rooms.

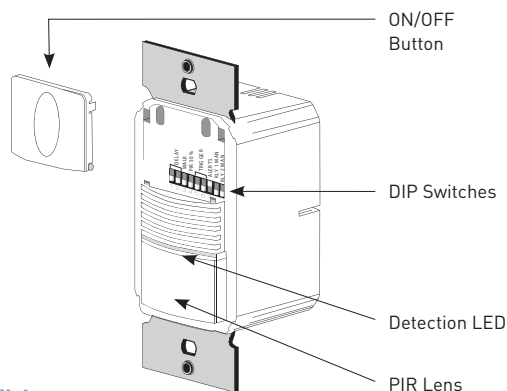
PROJECT	LOCATION/ TYPE

Specifications

- PW-100D: 120/277 VAC; 50/60 Hz, PW-101D 120 VAC; 50/60 Hz
 - @ 120 VAC, 0-700 W
 - @ 277 VAC (PW-100D only), 0-1200 W
- PW-100D: Incandescent or two-wire fluorescent ballast
- PW-101D: Incandescent, MLV, ELV, cold cathode or two-wire fluorescent ballast
- Time delays: 5, 10, 15, 20, 25 or 30 minutes, walk-through, test-mode
- Fade rates: Ramp on, 1.5 seconds; fade off, 5 seconds
- Coverage: Major motion 35' x 30'
Minor motion 20' x 15'
- Sensitivity adjustment: PIR (high/low)
- Dimensions: 2.73" x 1.76" x 1.83"
(69.3mm x 44.7mm x 46.5mm) L x W x D
- UL and cUL listed
- Five year warranty

Controls & Settings

Product Controls

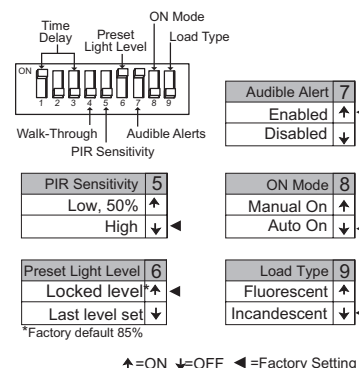


DIP Switch Settings

Time Delay	1	2	3
Test/20 min	↓	↓	↓
5 minutes	↓	↓	↑
10 minutes	↓	↓	↑
15 minutes	↑	↑	↑
20 minutes	↑	↑	↓
25 minutes	↑	↑	↑
30 minutes	↑	↑	↑
Service	↑	↑	↑

Walk-Through	4
Enabled	↑
Disabled	↓

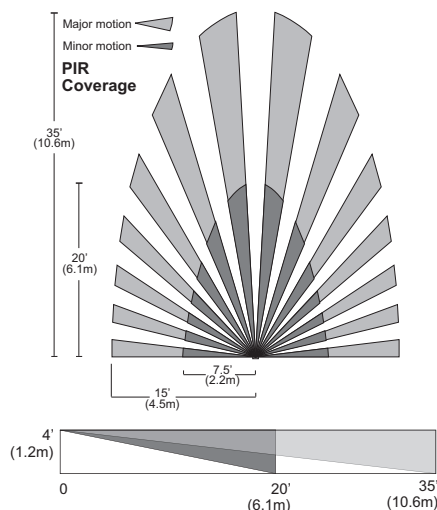
Service bypasses occupancy & light level functions. Control the load manually using the ON/OFF button.



Coverage & Wiring

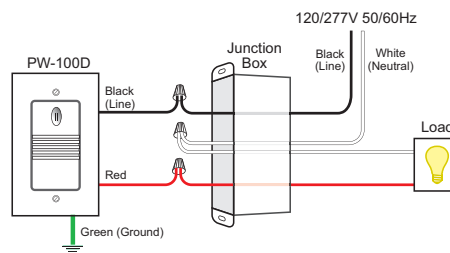
Coverage Pattern

For best performance, Wattstopper recommends using this sensor in spaces no larger than 15' x 12'.

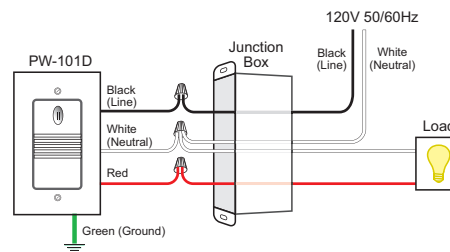


Wiring Diagrams

Wiring for PW-100D with no neutral wire run to the dimmer.



Wiring for PW-101D with a neutral connection.



Ordering Information

Catalog #	Color	Voltage	Load Rating
<input type="checkbox"/> PW-100D-W	White	120/277 VAC; 50/60 Hz 2-wire sensor; no neutral connection	@ 120 VAC, 0-700 W Incandescent or 2-wire fluorescent dimming ballast
<input type="checkbox"/> PW-100D-W-U			
<input type="checkbox"/> PW-100D-LA	Lt. Almond	120 VAC; 50/60 Hz 3-wire sensor; requires neutral connection	@ 277 VAC, 0-1200 W 2-wire fluorescent dimming ballast
<input type="checkbox"/> PW-100D-I	Ivory		
<input type="checkbox"/> PW-100D-I-U			
<input type="checkbox"/> PW-100D-G	Gray		
<input type="checkbox"/> PW-100D-B	Black		
<input type="checkbox"/> PW-101D-W	White		
<input type="checkbox"/> PW-101D-LA	Lt. Almond		
<input type="checkbox"/> PW-101D-I	Ivory		
<input type="checkbox"/> PW-101D-G	Gray		
<input type="checkbox"/> PW-101D-B	Black		

Order wall plate separately.

WWW.LEGRAND.US/WATTSTOPPER

-U = BAA/TAA-compliant models available. Product is compliant with Buy American Act and Trade Agreement Act

Pub. No. 27369r1 Rev. 04/2018