

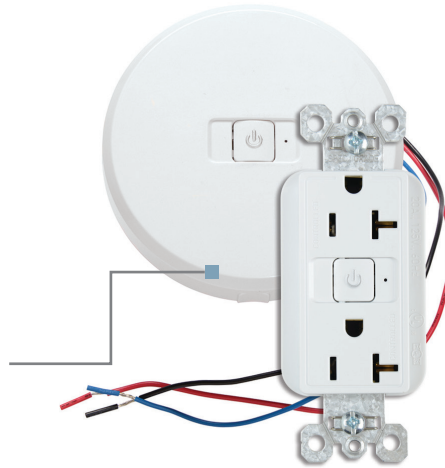
WIRELESS RECEPTACLE CONTROLS

| WRC SERIES

Controls plug loads to meet new energy code requirements

Simple retrofit solution works with new or existing wiring

Transmits occupancy sensor status to controlled receptacles



Binding buttons provide convenient On/Off override and testing capability

Leverages lighting control sensors for improved ROI

Choice of 15A or 20A receptacles



Description

Wireless Receptacle Control products facilitate Auto-On/Auto-Off occupancy-based control of plug loads without the need to wire receptacles to power packs. A WRC transmitter works with WRC RF-enabled relay-controlled receptacles.

Operation

The 24VDC WRC-TX is wired to an occupancy sensor and a power pack to transmit On/Off signals to bound receptacles. A relay in each WRC receptacle switches the controlled outlet(s) in response to the transmission. One transmitter can be bound to up to 16 WRC receptacles, each with one or two controlled outlets. In addition, each WRC receptacle has feed thru capability for downstream control of additional outlets.

Features

RF Transmitter (WRC-TX)

- Works with all 24VDC Wattstopper occupancy sensors and power packs
- Two mounting options for convenient installation in acoustic tile or to other surfaces
- Operates in quiet 915 MHz band to avoid interference
- LED indicator communicates status during binding
- The product meets the materials restrictions of RoHS

On/Off/Binding Buttons

The control button on the WRC receptacle works to toggle the relay On and Off before the WRC-TX transmitter is installed, so the receptacles can be tested and used as soon as they are installed. The button on the transmitter serves as a remote On/Off control. Both buttons are also used to bind the products to one another.

Applications

Wireless Receptacle Controls provide easy-to-install code compliant control for plug loads in offices, conference rooms, copy rooms, computer classrooms, entry lobbies, kitchens and hotel/motel guest rooms.

RF Receptacles (WRC Series)

- Choice of 15A or 20A rating
- Duplex receptacles with a choice of one or two controlled outlets
- Labeling meets NEMA requirements for controlled receptacles
- LED indicator communicates status during binding
- The product meets the materials restrictions of RoHS

PROJECT		LOCATION/ TYPE	
---------	--	-------------------	--

Specifications

RF Transmitter

- Operating voltage: 24VDC
- Current consumption: 3mA
- Mounts to acoustic tile or other surface via keyhole mounting
- FCC Part 15 compliant

Controlled Receptacles

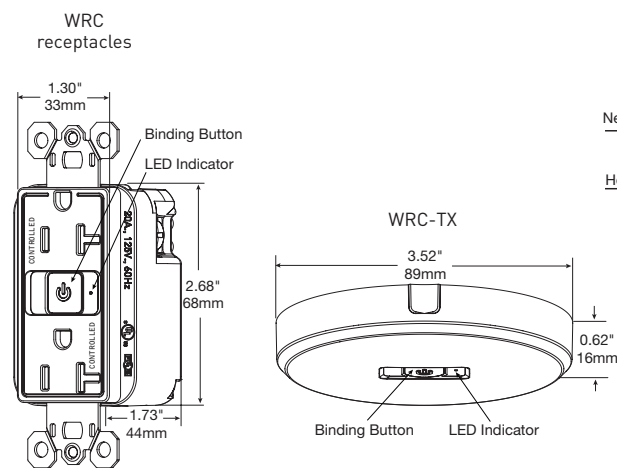
- Operating voltage: 125VAC
- Load rating: 15A (WRC-15) or 20A (WRC-20)
- Auto ground strap construction
- Terminals for power feed-thru

RF System (Transmitter and Receptacles)

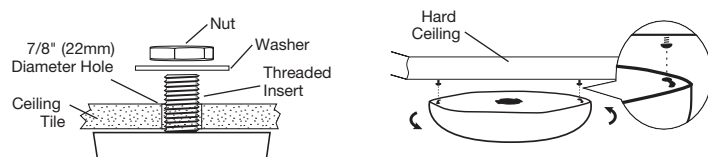
- NEMA-approved labeling for controlled receptacles
- Frequency: 915 MHz band
- Communication range: 30' in obstructed application; up to 150' with clear line of sight
- One transmitter can bind to up to 16 controlled duplex receptacles
- Operating conditions; for indoor use only
- UL and cUL listed
- Five year warranty

Dimensions & Installation

Dimensions

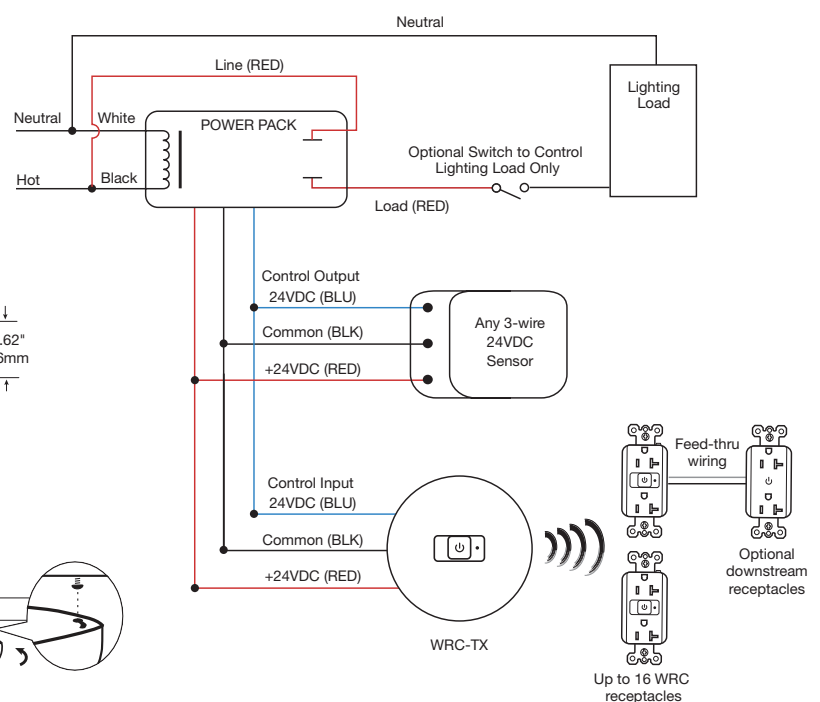


Mounting Options



The WRC-TX is designed to mount either in an acoustic tile or on a hard surface

Wiring Diagram



Ordering Information

Catalog #	Color	Description
<input type="checkbox"/> WRC-TX	White	24VDC RF transmitter
<input type="checkbox"/> WRC-15-1-W	White	15A duplex receptacle, half controlled
<input type="checkbox"/> WRC-15-1-LA	Light Almond	
<input type="checkbox"/> WRC-15-1-I	Ivory	
<input type="checkbox"/> WRC-15-1-G	Gray	
<input type="checkbox"/> WRC-15-1-B	Black	
<input type="checkbox"/> WRC-15-2-W	White	
<input type="checkbox"/> WRC-15-2-LA	Light Almond	
<input type="checkbox"/> WRC-15-2-I	Ivory	
<input type="checkbox"/> WRC-15-2-G	Gray	
<input type="checkbox"/> WRC-15-2-B	Black	

Catalog #	Color	Description
<input type="checkbox"/> WRC-20-1-W	White	20A duplex receptacle, half controlled
<input type="checkbox"/> WRC-20-1-LA	Light Almond	
<input type="checkbox"/> WRC-20-1-I	Ivory	
<input type="checkbox"/> WRC-20-1-G	Gray	
<input type="checkbox"/> WRC-20-1-B	Black	
<input type="checkbox"/> WRC-20-2-W	White	
<input type="checkbox"/> WRC-20-2-LA	Light Almond	
<input type="checkbox"/> WRC-20-2-I	Ivory	
<input type="checkbox"/> WRC-20-2-G	Gray	
<input type="checkbox"/> WRC-20-2-B	Black	

Cover plate not included. Matching receptacles with NEMA-approved controlled labeling are available from Pass & Seymour.