

EW LOW VOLTAGE OUTDOOR MOTION SENSOR

| EW-205-24



Product Overview

The EW-205-24 outdoor motion sensors provide motion based control of outdoor lighting. Raintight and rated for -40°F to 130°F, EW sensors perform reliably in all weather conditions.

The EW-205-24 sensors operate at 24 VDC and are mounted onto a standard outdoor junction box. Utilizing passive infrared (PIR) technology, the sensors detect the difference between infrared energy in motion and the background

space to turn lighting on when a person or vehicle enters the coverage area. After the area is vacated and the time delay elapses, lighting automatically turns off. The EW's dual PIR detectors and three level lens increase the detection density as well as the accuracy of motion detection.

Mount the sensor where it will have a clear line of sight of the area to be sensed.

Models
EW-205-24
Specifications and Features
Operating Voltage: 24 VDC
Power Consumption: 7mA @ 24VDC
Sensor dimensions: 6.7" x 3.2" x 2.2" (170mm x 80mm x 55mm)
PIR coverage: 270°
Adjustable light level: 0.5 to 200 footcandles (5.4 to 2,152.8 lux)
Designed for indoor and outdoor use
1/2" threaded nipple fits standard NEMA weather proof fixture fitting
Operating conditions: -40° to 130°F (-40° to 54°C); 5% to 95% RH, non condensing
Front rotates for easy coverage adjustment
User-adjustable time delay from 12 seconds to 16 minutes
Optional override-ON to turn lights on remotely for the length of the time delay
UL and cUL listed 773A raintight
Five year warranty
Materials
Polycarbonate, flame retardant, UV resistant
Factory Defaults
Time Delay: 12 seconds
Light Level: 200 footcandles

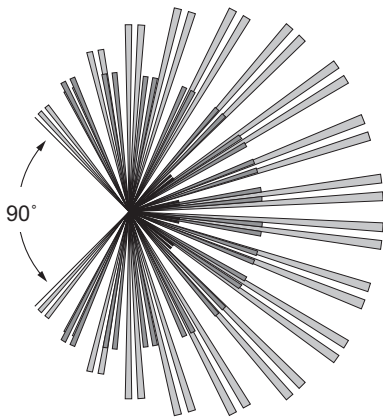


Figure 1. PIR Coverage: Overhead view.

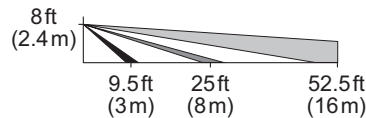


Figure 2. PIR Coverage: Side view.

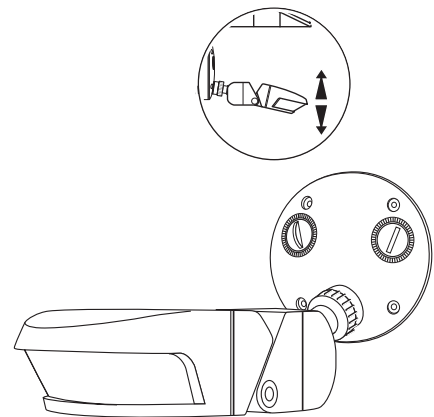


Figure 3. EW-205-24 mounting and positioning.

Installation and wiring instructions

1. The EW-205-24 can be powered from either a power pack or HID Dimming Module. Wire the sensor to a power pack by attaching the wires as shown in figure 4 below. Wire the sensor to a HID controller by attaching the wires as shown in figure 5 below.
2. Attach the mounting post to the cover plate.
3. Attach the cover plate assembly and gasket to the junction box with 4 screws and screw covers.

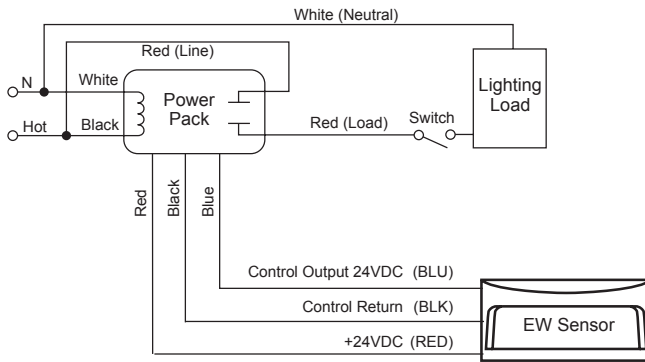


Figure 4. EW-205-24 wiring with power pack.

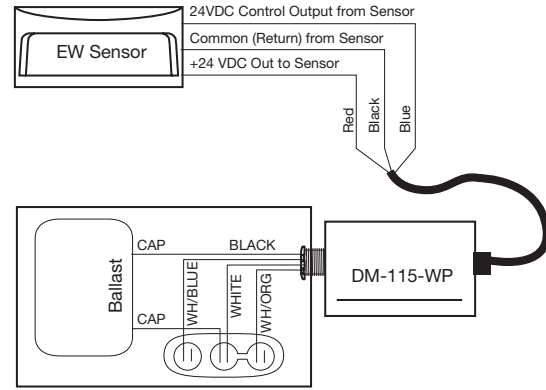


Figure 5. EW-205-24 wiring with DM-115-WP HID control.

Sequence of Operation

The sensor signals the power pack to turn the lighting on if a person or vehicle enters the coverage area. After the area is vacated and the time delay elapses, lighting automatically turns off.

With the sensor wired to a dimming module the lights switch to a lower, energy saving level when the space is unoccupied. When occupants return to the space, lights immediately switch from low to high.

Ordering Information

Catalog #	Master Pack Details				
	Master Pack Quantity	Case dimensions (inches)			Weight (pounds)
		Length	Width	Height	
EW-205-24-W	10	16.33	12.0	9.64	11.39
EW-205-24-G	10	16.33	12.0	9.64	11.39
DM-115-WP	10	9.0	6.0	16.0	20.5
BZ-50	40	13.46	13.58	9.06	15.0

Inner Pack Details				
Inner Pack Quantity	Case dimensions (inches)			Weight (pounds)
	Length	Width	Height	
N/A	N/A	N/A	N/A	N/A
N/A	N/A	N/A	N/A	N/A
N/A	N/A	N/A	N/A	N/A
10	13.0	6.30	3.93	3.55

Catalog #	Color	Description	Input Voltage
<input type="checkbox"/> EW-205-24-W	Arctic white	Low voltage outdoor motion sensor	24 VDC
<input type="checkbox"/> EW-205-24-G	Architectural grey	Low voltage outdoor motion sensor	24 VDC
<input type="checkbox"/> DM-115-WP	White	Weatherproof Bi-level HID Control Module	250 VAC
<input type="checkbox"/> BZ-50	White	Universal Voltage Power Pack	120/230 (1P-L-N) /277 VAC, 50/60Hz

Information supplied above is subject to change.

Harmonization code: 853890808. Countries of origin: USA (DM-115-WP); China (EW and BZ)