

WIDE ANGLE PIR OCCUPANCY SENSOR

| FS-705



Product Overview

The FS-705 Wide Angle PIR Occupancy Sensor control lighting based on occupancy utilizing passive infrared (PIR) technology.

The sensor provides 180 degree coverage and is designed for locations that require wide angle occupancy detection, such as refrigerator and freezer cases, vending machines and aisleway displays.

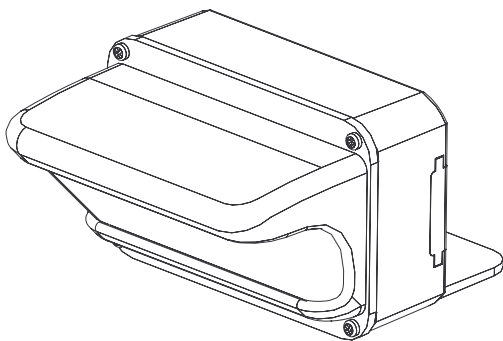


Figure 1. FS-705 Wide Angle PIR Occupancy Sensor

| Models |
|--|
| FS-705 |
| Requires BZ Series power pack for operation |
| Specifications and Features |
| Operating voltage: 24 VDC |
| Power consumption: 7 mA @ 24 VDC |
| Dimensions: FS-705: 1.77" H x 2.68" W x 3.15" D (45mm x 68mm x 80mm) |
| Operating conditions: 32°F to 131°F (0°C to 55°C); 5% to 95% RH, non condensing |
| Storage temperature: -22°F to 176°F (-30°C to 80°C) |
| Weight: 2.11 oz (60 grams) |
| Fresnel lens |
| Dual pyroelectric cell |
| Zero crossing |
| LED detection indication: green LED |
| UL and cUL listed |
| Indoor use only |
| 5 year warranty |
| Materials |
| ABS, flame retardant |
| Meets materials restrictions of RoHS |
| Factory Defaults |
| Time Delay: 30 seconds |
| Sensitivity: Maximum |

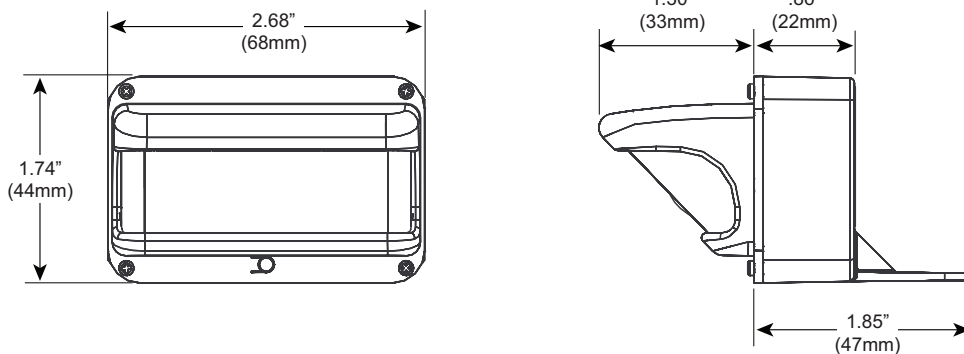
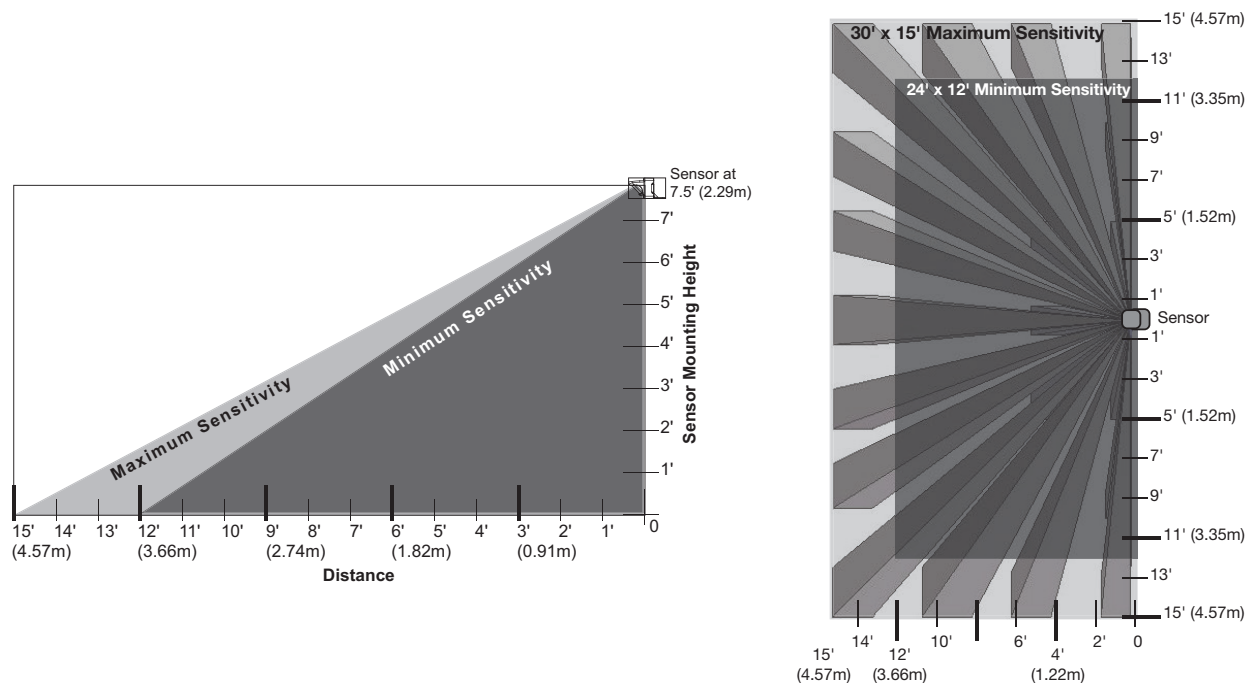


Figure 2. FS-705 dimensions

Coverage and Detection Features



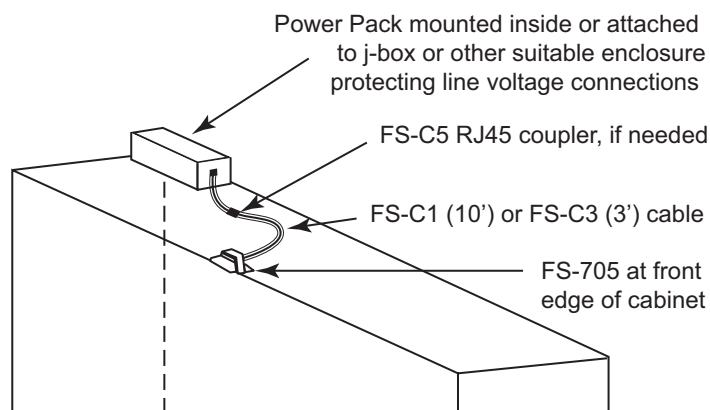
The sensors contain dual pyros and lenses providing 40 detection zones, ensuring dense coverage within the detection area. The sensor provides true 180° horizontal and 70° vertical coverage.

Sensor Adjustments

The time delay and PIR sensitivity adjustments are located on the back of the FS-705 under a removable cover. The sensors are factory preset for maximum sensitivity and a 30 second time delay.

Installing the FS-705 Sensor

Determine an appropriate mounting location for the FS-705. Mount the FS-705 on top of the cabinet in the center for equal coverage on either side. Place the front edge of the sensor at the front edge of the cabinet. Secure the sensor to the top of the cabinet with self-tapping screws.



Wiring Diagrams

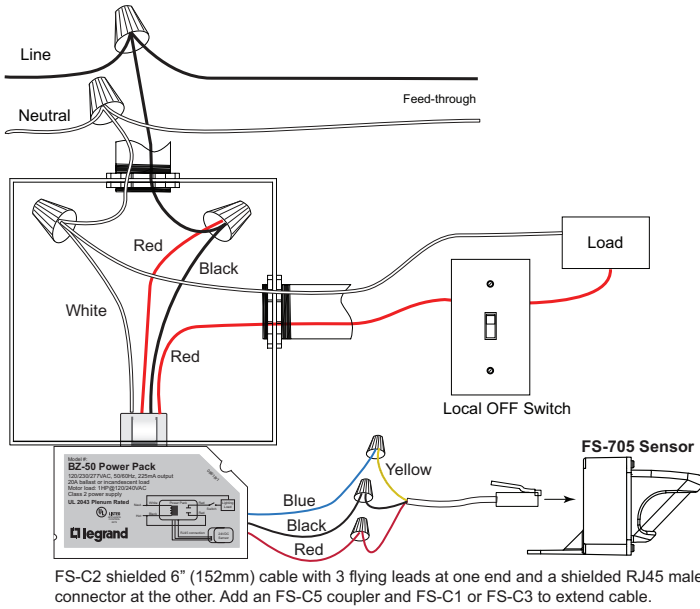


Figure 3. BZ-50 Power Pack connected to FS-705 using an FS-C2 adapter

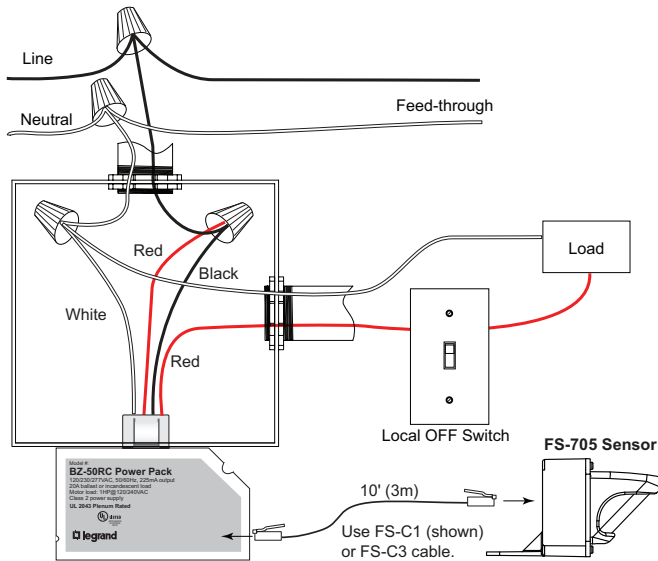


Figure 4. BZ-50RC Power Pack connected to FS-705 using an FS-C1 or FS-C3 cable

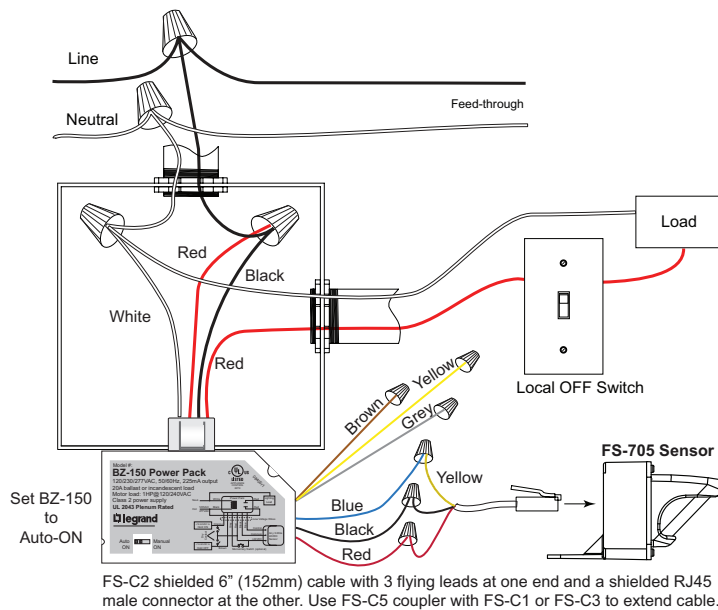


Figure 5. BZ-150 or BZ-250 Power Pack connected to FS-705 using an FS-C2 adapter

Sequence of Operation

It may take up to a minute for the sensor to warm-up during the initial power-up. The sensor has an “instant on” feature. This occurs during installation or after a lengthy power failure only. As soon as power is supplied to the power pack, the lights will come on and stay on for approximately 20 seconds. If no movement is detected within that time the lights will turn off until detection occurs. If movement is detected during the initial 20 seconds then the lights will stay on for whatever time has been set on the time delay.

Ordering Information

| Catalog # | Master Pack Details | | | | | Inner Pack Details | | | | |
|---------------------|----------------------|--------------------------|-------|--------|-----------------|---------------------|--------------------------|-------|--------|-----------------|
| | Master Pack Quantity | Case dimensions (inches) | | | Weight (pounds) | Inner Pack Quantity | Case dimensions (inches) | | | Weight (pounds) |
| | | Length | Width | Height | | | Length | Width | Height | |
| FS-705 (all colors) | 200 | 21.14 | 19.72 | 20.39 | 38.64 | 50 | 20.67 | 9.44 | 9.76 | 8.94 |
| FS-C1 | 160 | 14.17 | 11.02 | 11.02 | 31.62 | 10 | 13.0 | 9.0 | 2.0 | 1.9 |
| FS-C1-20 | 120 | 13.38 | 18.50 | 13.97 | 44.92 | 5 | 13.0 | 9.0 | 2.0 | 1.8 |
| FS-C2 | 700 | 15.0 | 18.50 | 19.0 | 16.82 | 20 | 13.0 | 9.0 | 2.0 | 20.0 |
| FS-C2-J | 500 | 13.46 | 13.58 | 10.0 | 4.02 | 100 | 7.0 | 4.0 | 1.50 | 0.36 |
| FS-C3 | 350 | 15.0 | 13.50 | 19.0 | 28.08 | 10 | 13.0 | 9.0 | 2.0 | 0.76 |
| FS-C4 | 750 | 16.34 | 12.75 | 20.27 | 40.0 | 15 | 9.0 | 7.0 | 1.0 | 0.76 |
| FS-C5 | 600 | 14.17 | 11.02 | 14.17 | 22.34 | 30 | 12.0 | 6.0 | 1.0 | 1.04 |
| FS-C6 | 500 | 15.0 | 13.50 | 19.0 | 24.62 | 10 | 13.0 | 9.0 | 2.0 | 0.46 |
| BZ-50RC | 40 | 13.46 | 13.58 | 9.06 | 15.0 | 10 | 13.0 | 6.3 | 3.93 | 3.55 |
| BZ-50 | 40 | 13.46 | 13.58 | 9.06 | 15.0 | 10 | 13.0 | 6.3 | 3.93 | 3.55 |
| BZ-150 | 40 | 13.46 | 13.58 | 9.06 | 15.0 | 10 | 13.0 | 6.3 | 3.93 | 3.55 |

| Catalog # | Color | Description |
|-----------------------------------|-------|--|
| <input type="checkbox"/> FS-705-W | White | Wide Angle PIR Occupancy Sensor, 24 VDC |
| <input type="checkbox"/> FS-705-B | Black | Wide Angle PIR Occupancy Sensor, 24 VDC |
| <input type="checkbox"/> FS-705-G | Grey | Wide Angle PIR Occupancy Sensor, 24 VDC |
| <input type="checkbox"/> FS-C1 | | 10' (3.048m) cable with shielded RJ45 male connectors at each end |
| <input type="checkbox"/> FS-C1-20 | | 20' (6.096m) extension cable with shielded RJ45 male connectors at each end |
| <input type="checkbox"/> FS-C2 | | 6" (0.152m) cable with 3 flying leads at one end and a shielded RJ45 male connector on the other |
| <input type="checkbox"/> FS-C2J | | RJ45 override jumper |
| <input type="checkbox"/> FS-C3 | | 3' (0.914m) cable with shielded 90° male RJ45 on one end and a shielded straight male RJ45 at the other |
| <input type="checkbox"/> FS-C4 | | Shielded RJ45 splitter with female to dual female receptacles |
| <input type="checkbox"/> FS-C5 | | Shielded RJ45 male to male coupler |
| <input type="checkbox"/> FS-C6 | | 24" (0.610m) cable with 90° RJ45 connector and three flying leads |
| <input type="checkbox"/> BZ-50RC | White | Univ. Volt. Power Pack, 120/230 (1P, L-N) /277VAC Input, 50/60Hz, 24 VDC; 225 mA Output w/RJ45 connector |
| <input type="checkbox"/> BZ-50 | White | Univ. Volt. Power Pack, 120/230 (1P, L-N) /277VAC Input, 50/60Hz, 24 VDC; 225 mA Output w/flying leads |
| <input type="checkbox"/> BZ-250 | White | Lighting and Plug Load Flex Control Power Pack, 120-277VAC, single phase Input, 50/60Hz, 24 VDC; 225 mA Output w/flying leads, manual/auto-on option |

Information supplied above is subject to change.

Harmonization code: 8538908080. Country of origin: China.