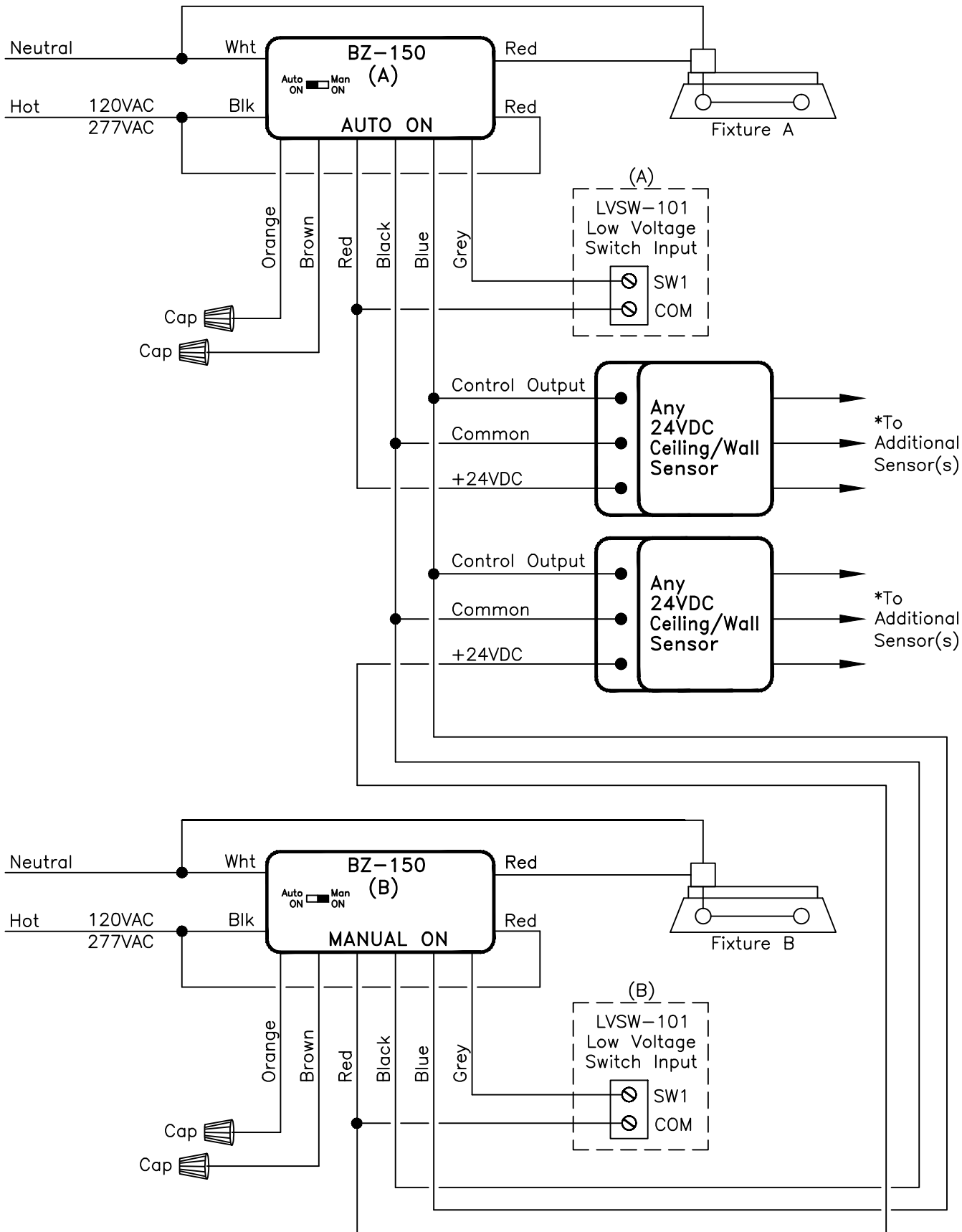


**BZ-150 Power Pack Bi-Level
Control with MANUAL ON**



* At least 3 Sensors
can be powered by the
power pack.
See Sensor data sheet.

Watt Stopper/Legrand 800-879-8585			
Title BZ-150 Power Pack Bi-Level Control with MANUAL ON			
Scale	Drawing#	Date	Rev.
None	57-007-9	08/06/15	2