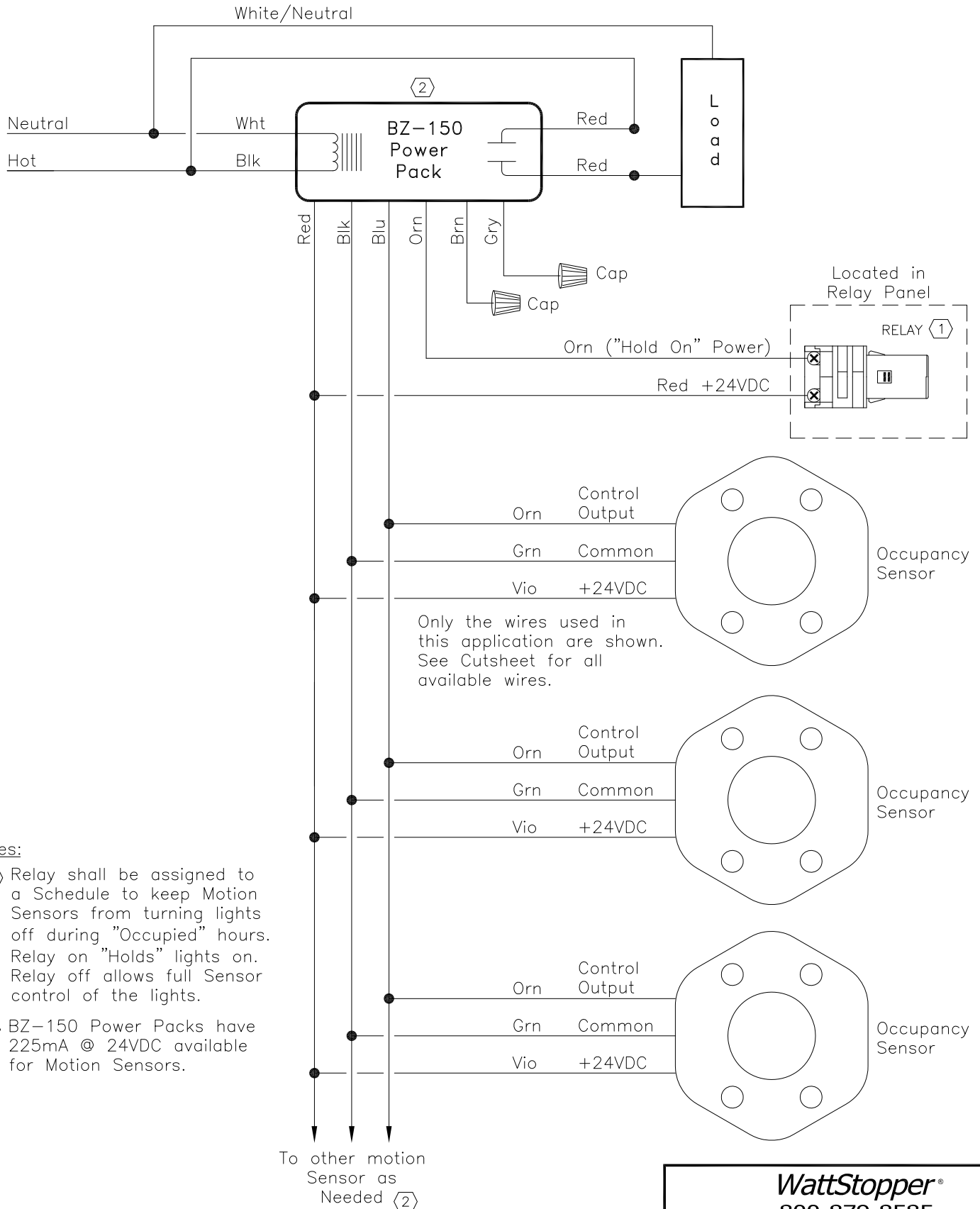


Typical wiring from Power Packs to Motion Sensors
 (Lights are held on during day by Scheduled Relay)



Notes:

(1) Relay shall be assigned to a Schedule to keep Motion Sensors from turning lights off during "Occupied" hours. Relay on "Holds" lights on. Relay off allows full Sensor control of the lights.

(2) BZ-150 Power Packs have 225mA @ 24VDC available for Motion Sensors.

WattStopper® 800-879-8585			
Title Power Pack Hold On with Relay			
Scale None	Drawing# 60-961	Date 9/24/09	Rev. 5