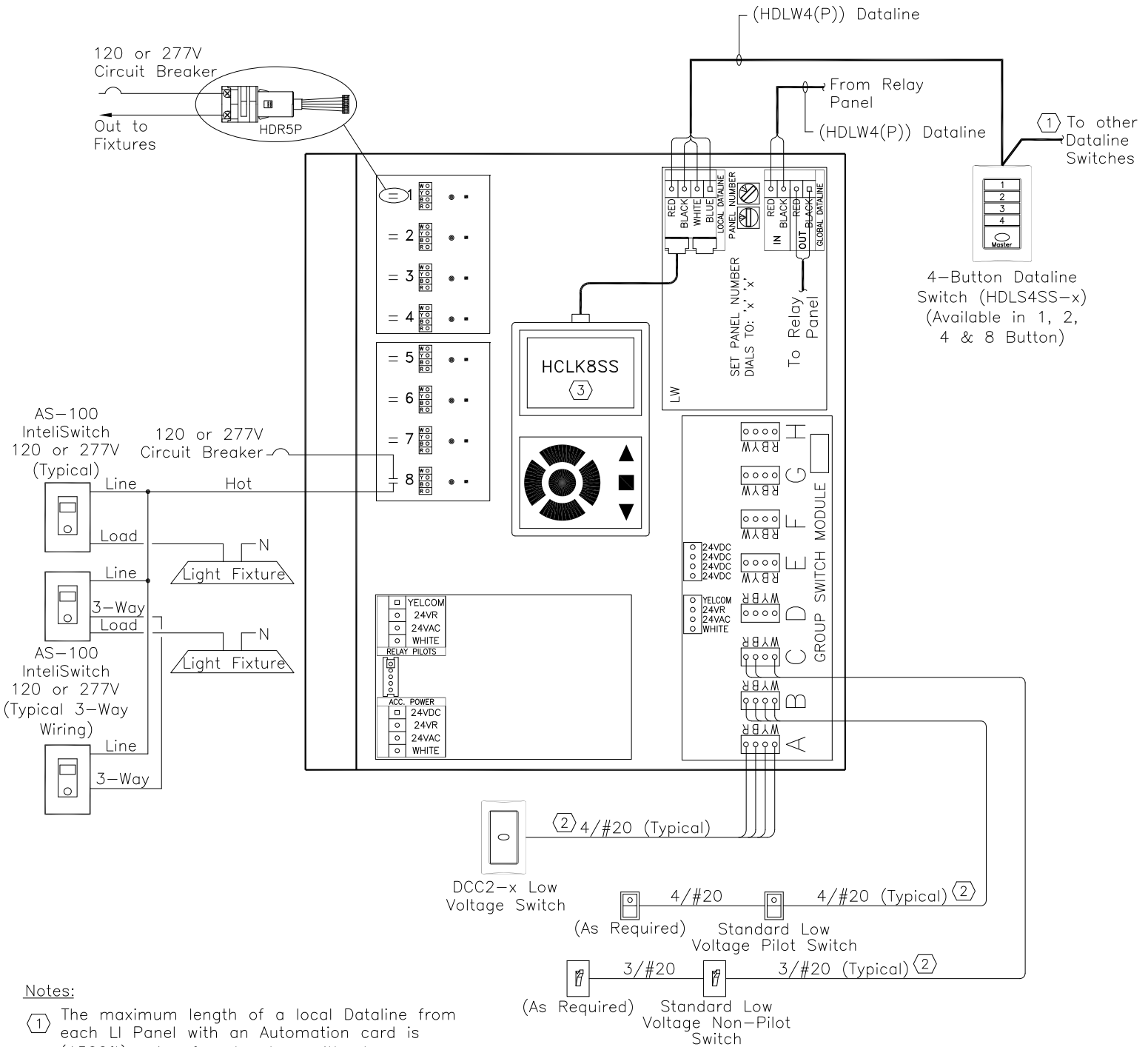


# LIGHTING INTEGRATOR 8-RELAY CAPACITY PANEL



**Notes:**

- ① The maximum length of a local Dataline from each LI Panel with an Automation card is (1500ft) using free topology without a repeater and (8000ft) using linear topology.
- ② Maximum 1000 feet with #20 AWG wire. Additional switches controlling the same zone can be connected in the field or at the relay panel terminals.
- ③ The Network Clock (HCLK8SS) can be located in any panel with enough space on the low voltage din-rail (8-relay panels can hold one device, 24- and 48-relay panels can hold two).

<b>Watt Stopper/Legrand</b>			
800-879-8585			
Title		Typical 8-relay Capacity Lighting Integrator Panel Automation Level	
Scale	Drawing#	Date	Rev.
None	60-952-2	08/26/09	1