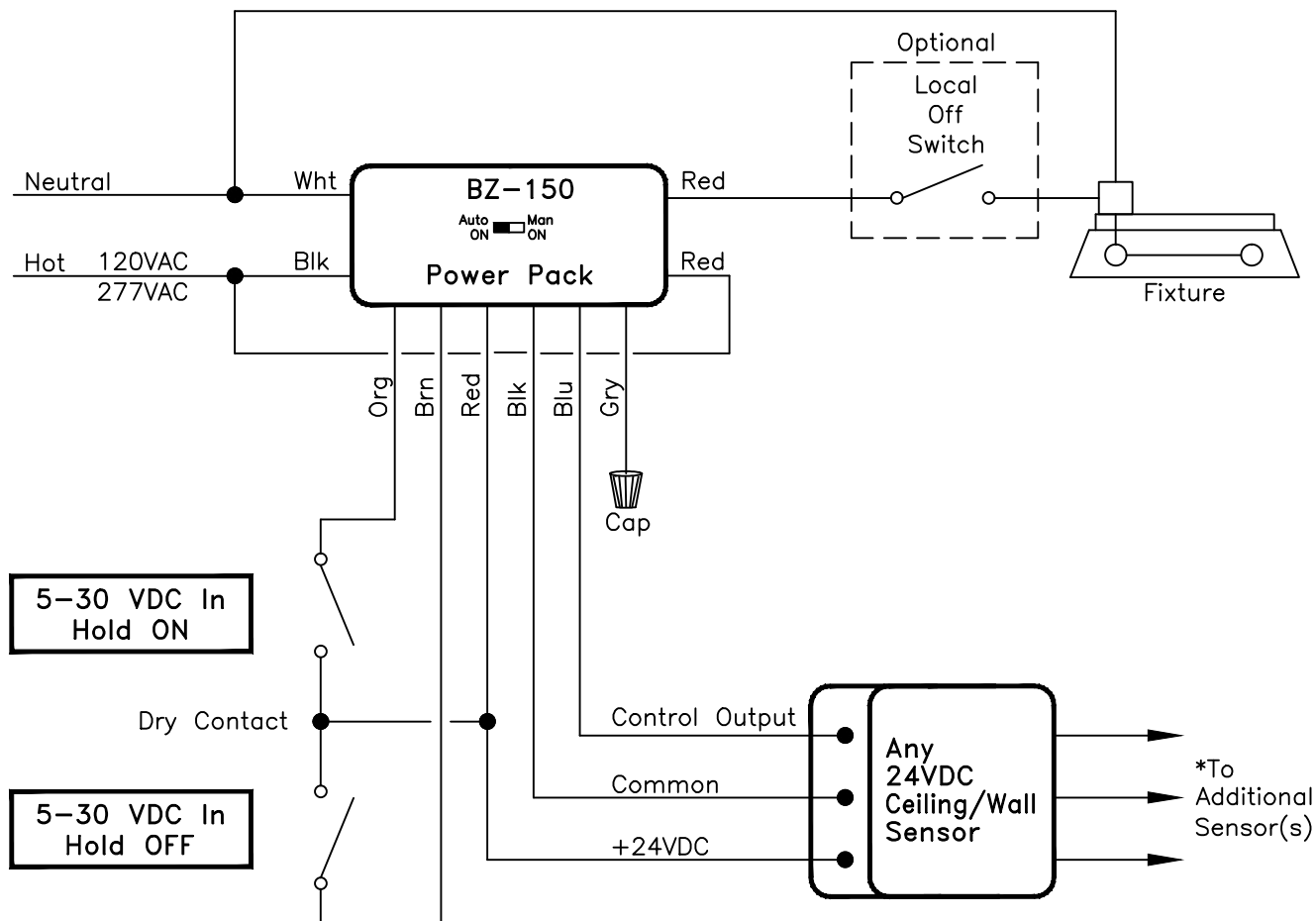


Hold ON or Hold OFF One
BZ-150 Power Pack & Sensor(s)



Hold ON (Orange) – This input is intended for timer or panel input.

Applying 12–24VDC closes the relay.
Remove the voltage and the relay opens if no other input is holding it closed.
It overrides Control ON input.

Hold OFF (Brown) – This input is used for timer, panel, BAS or load shed input.

Applying 12–24VDC opens the relay.
Remove the voltage and the relay can accept any other input.
It overrides Control ON and Hold ON inputs.

* At least 3 Sensors can be powered by the power pack.
See Sensor data sheet.

Watt Stopper/Legrand 800-879-8585			
Title Hold ON or Hold OFF One BZ-150 Power Pack & Sensor(s)			
Scale	Drawing#	Date	Rev.
None	57-007-8	08/06/15	2