

Wireless RF (Radio Frequency) Occupancy Sensor and Wall Switches



Product Introduction

July, 2014

WattStopper[®]

A Group brand | **legrand**

Components Overview

Wireless RF PIR Occupancy Sensor (EOPC-100)



RF Wall Switches (EOSW-1xx)



Self-powered RF Remote Switches (EORS-10x)



Self-powered RF Handheld Remotes (EOHR-10x)



Wireless RF PIR Occupancy Sensor

Features & Benefits

- Energy code compliance without the need for rewiring
- Photovoltaic panels power sensor for up to 72 hours in total darkness; no batteries required in most applications
- Extended range ceiling mount sensor with Detection Signature Processing to eliminate false triggering and increase RFI/EMI immunity
- Transmitter for wireless communication with 1- and 2-relay RF wall switches
- Test mode allows quick and easy set up



Wireless RF PIR Occupancy Sensor

Specifications

- Photovoltaic panel operating range: 3-100 footcandles (32-1076 lux)
- Optional battery (CR2032 or equivalent)
- Multilevel Fresnel lens (360° coverage)
- Adjustable PIR sensitivity
- Frequency: 902 MHz, helical antenna; pairs with RF Wall Switch(es)
- Mounting options: ceiling tile, junction box, surface mount (adhesive or magnetic)
- Operating conditions: for indoor use only; 32-131°F (0-55°C); 5-95% RH, non condensing



- UL and cUL listed
- FCC part 15 compliant
- Five year warranty

RF Wall Switches

Features & Benefits

- Four models: two single and two dual relay versions; one set with neutral terminals (2011 NEC compliant)
- Receivers for RF occupancy sensors and remote switches
- Default settings for most energy efficient operating mode out of the box
- Choice of manual-on or auto-on for each relay
- Loads can be assigned to either button (dual relay switches)
- Zero-crossing for long relay life operation
- Selectable time delay



- Compatible w/ decorator wall plates

RF Wall Switches

Power and Load Ratings

- 120/277VAC; 60 Hz
- Load rating, per relay:
 - @ 120VAC, 800W ballast, LED driver, ELV, MLV or tungsten, or 1/6hp motor (EOSW-10x, 15W minimum for load 1)
 - @ 277VAC, 1200W ballast, LED driver, ELV or MLV (EOSW-10x, 30W minimum for load 1)
- Relay Type: Form A latching relay



RF Wall Switches

Specifications

- 1 or 2 load buttons, each with LED status indicator
- Time Delays: 5, 15, 30 minutes (default 15 min.)
- Memory: Stores up to 10 transmitter IDs
- Frequency: 902MHz, integrated whip antenna
- Operating conditions: for indoor use only; 5-95% RH, non condensing
- Operating temperature: EOSW-10x: 32-104°F (0-40°C); EOSW-11x: 32-131°F (0-55°C)



- UL and cUL listed
- FCC part 15 compliant
- Five year warranty

Self-powered RF Remote Switches

Features & Benefits

- Wireless, self-powered RF transmitters
- Radio transmission range up to 150'
- Work with 1- and 2-relay RF wall switches (receivers)
- Provide wireless multi-way control
- 1- and 2-button versions available
- Compatible with decorator wall plates



Self-powered RF Remote Switches

Specifications

- Self-powered when switch is pressed
- 1 or 2 control buttons
- Pair with RF Wall Switch(es)
- Frequency: 902 MHz, integrated whip antenna
- Operating conditions: for indoor use only; 32-104°F (0-40°C); 5-95% RH, non condensing
- UL and cUL listed
- FCC part 15 compliant
- Five year warranty



Self-powered RF Handheld Remotes

Features & Benefits

- Wireless 1- and 2-button handheld or wall mount switches
- Transmitters for wireless communication with RF wall switches
- Work with 1- and 2-relay RF wall switches (receivers)
- Provide multi-way control without wiring or batteries
- Radio transmission range up to 150'



Self-powered RF Handheld Remotes

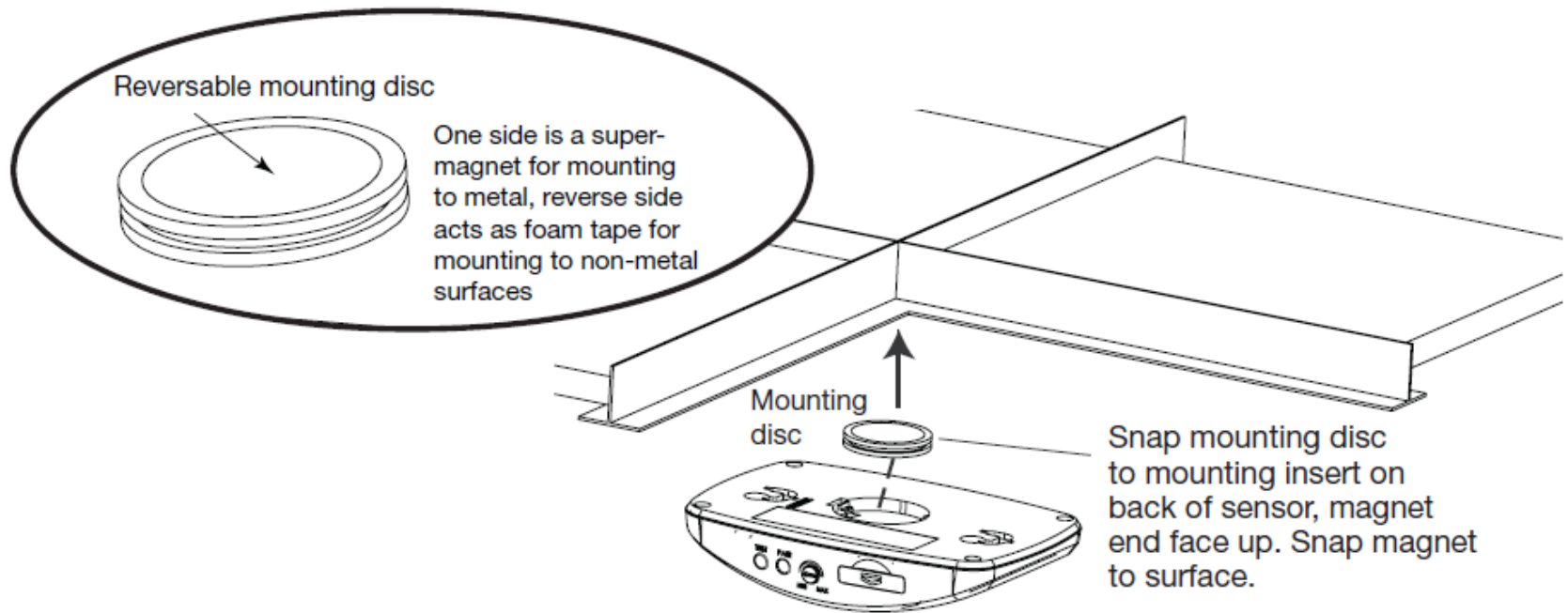
Specifications

- Self-powered when switch is pressed
- 1 or 2 control buttons
- Pair with RF Wall Switch(es)
- Frequency: 902 MHz, integrated whip antenna
- Operating conditions: for indoor use only; 32-104°F (0-40°C); 5-95% RH, non condensing
- FCC part 15 compliant
- Five year warranty

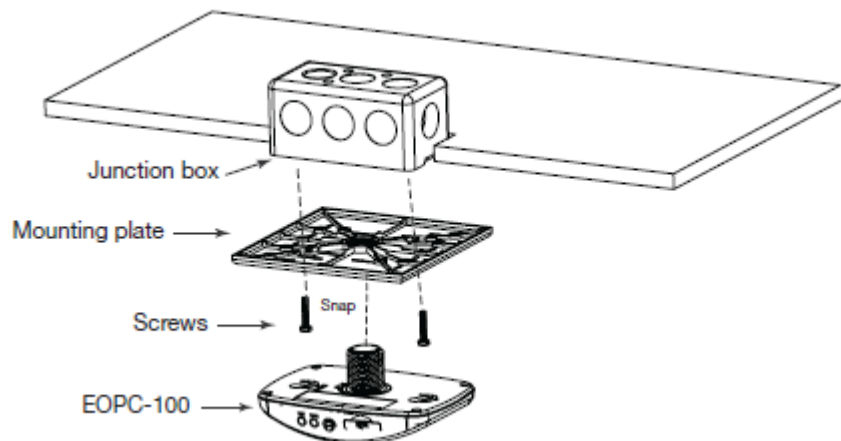


EOPC-100 - Installation

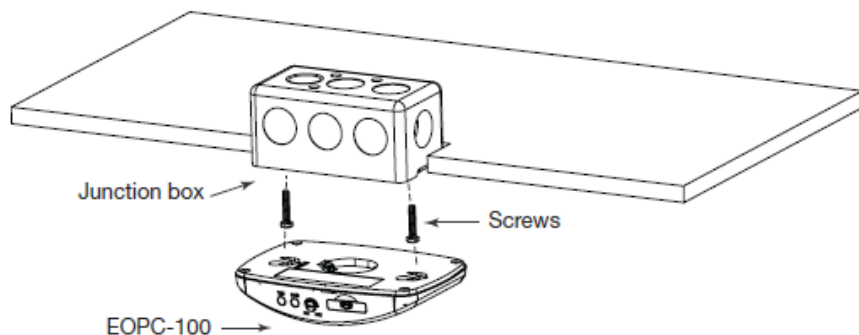
Surface Mounting Options



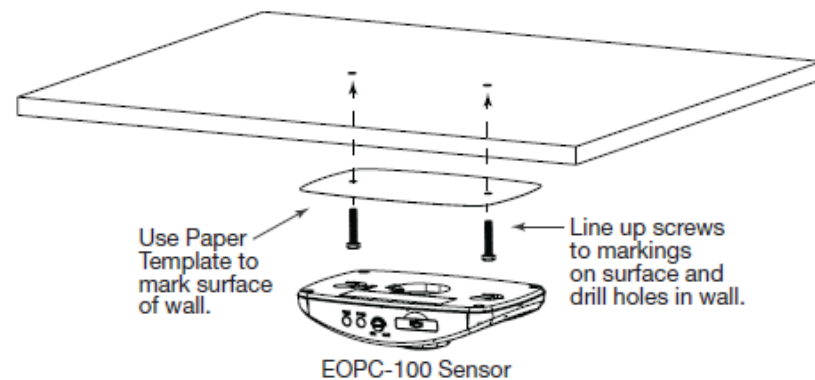
EOPC-100 - Other Installation Options



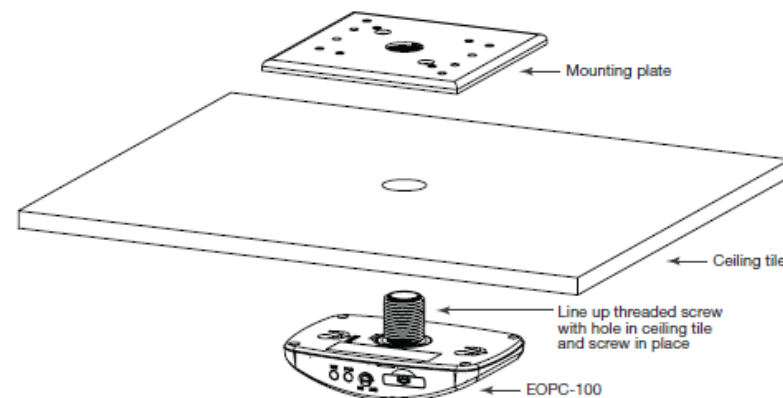
Junction Box Plus Mounting Plate



Junction Box Only



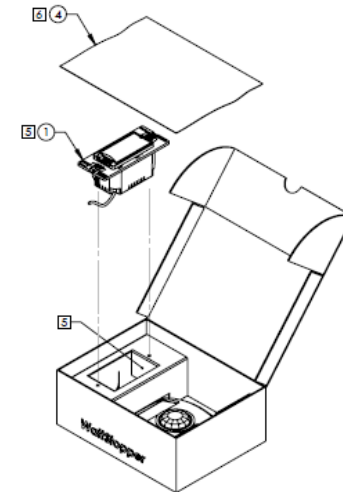
To Hard Ceiling



Through Ceiling Tile

Part Numbers, Kits and Color Options

Catalog #	Description
EOPC-100	RF PIR Ceiling Mount Sensor,1200 sq ft
EOSW-101	RF Single Relay Switch Receiver, No Neutral
EOSW-102	RF Dual Relay Switch Receiver, No Neutral
EOSW-111	RF Single Relay Switch Receiver
EOSW-112	RF Dual Relay Switch Receiver
EORS-101	RF 1-Button Remote Switch
EORS-102	RF 2-Button Remote Switch
EOKT-101-W	RF Sensor/ Single Relay Installer kit, Manual-On (white only)
EOKT-102-W	RF Sensor/ Dual Relay Installer kit, Auto-ON 50% (white only)
EOHR-101	RF 1-Button Handheld Remote
EOHR-102	RF 2-Button Handheld Remote



EOKT-101-W

Notes:

- Installer Kits come from factory with the wireless sensor and the RF switch receiver already paired. This saves time during installation and set up.
- All wall switches and remotes are available in white, ivory, light almond, black and grey

THANK YOU