

Catalog Number: FS-Lx

Country of Origin: Made in China

AVAILABLE MODELS

FS-L2W, FS-L3W, FS-L6, FS-L7W, FS-L7-G

SPECIFICATIONS

Operating Temperature 32° to 131°F (0° to 55°C)
 IP Rating when mounted to outdoor rated fixture.....IP-65

DESCRIPTION AND OPERATION

The FS-305 and FS-355 occupancy sensors are modular, consisting of two parts, a Sensor Module and a Lens. The Sensor Module is selected according to the type of power available in the installation and desired operational features. The Lens is selected based on the coverage desired for the sensor application.

Sensors must directly “see” motion of an occupant to detect them, so careful consideration must be given to sensor placement. Avoid placing the sensor where shelving or other obstructions may block the sensor’s line of sight.

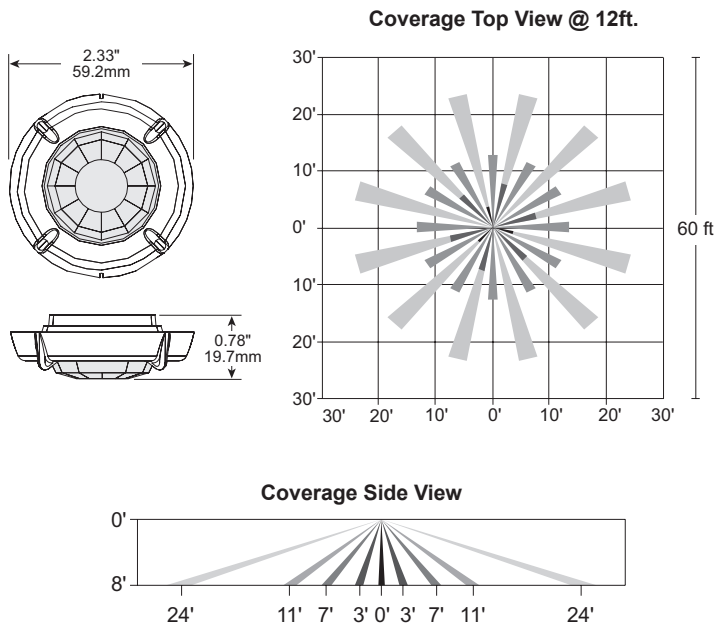
FS-L2W, FS-L3W, FS-L6, FS-L7W, and FS-L7-G have multi-cell, multi-tier Fresnel lenses with a 360° view. This document describes the coverage patterns available with each lens. Coverages shown in the diagrams are maximum, measured in linear feet. They represent coverage for full-step walking motion, with no barriers or obstacles.

NOTE: The FS-L2W, FS-L3W, FS-L7W, and FS-L7-G are wet-rated. The FS-L6 is not. All models are white except the FS-L7-G, which is gray.

Passive Infrared Sensing in Warehouses

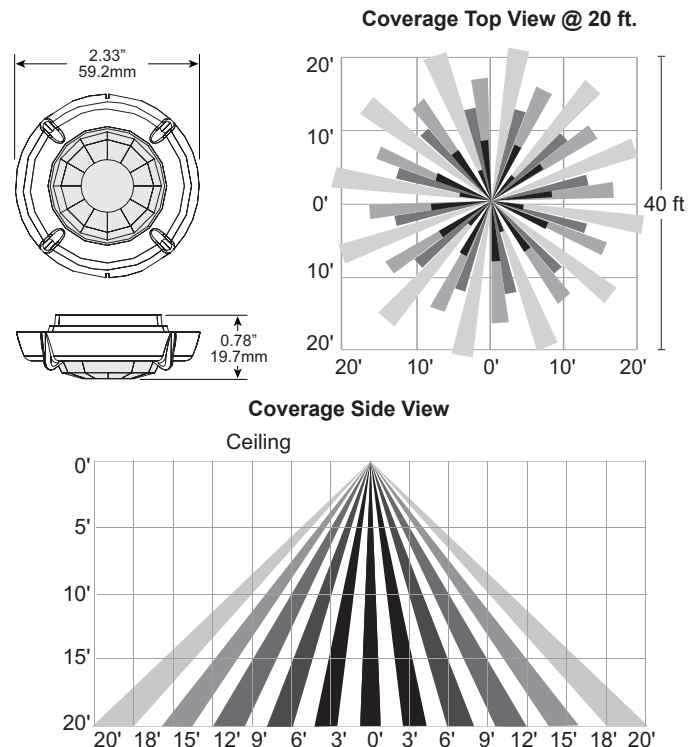
Warehouses can have ambient temperature variations that may affect sensor detection and coverage areas. High temperatures at the covered area (above 89-92°F) reduce the detection zone of the sensor. Consider adding more sensors if the ambient temperatures are expected to be high. Additionally, high floor level temperature may require larger movement for detection. In some cases, sensors mounted above 40’ may only detect large heat signatures such as forklift trucks.

See the Sensor Module Installation Instructions for a complete description of the assembled unit installation, wiring, and safety information.



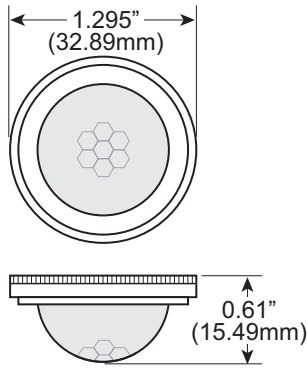
FS-L2W: 360° Coverage

The FSP-L2 is designed for mounting at heights between 8’ to 12’. It provides a 48’ diameter coverage area when mounted at a height of 8’, or a 72’ diameter coverage area at 12’.

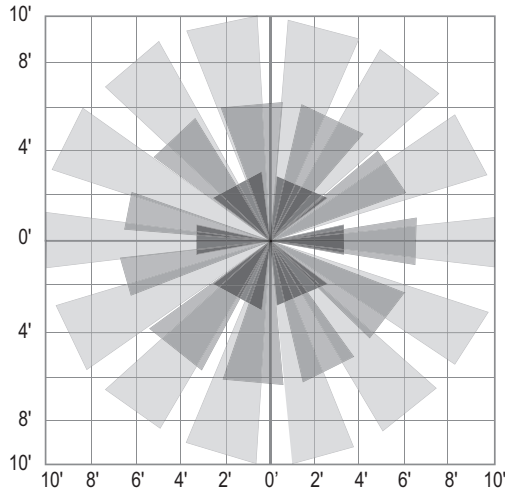


FS-L3W: 360° Coverage

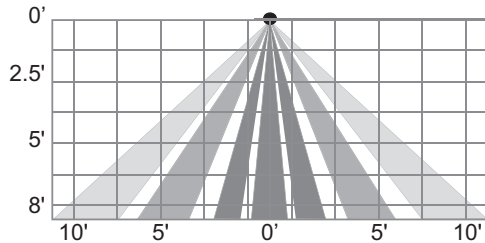
The FSP-L3 has a high density lens that covers a 40’ diameter area at a height of 20’.



Coverage Top View @8ft

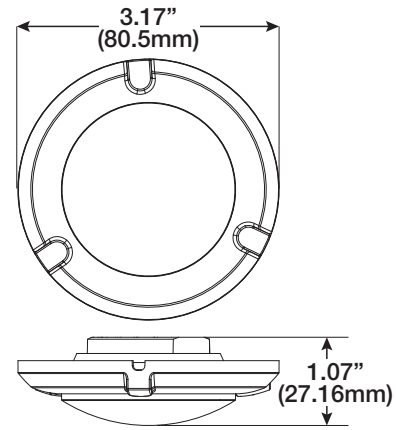


Coverage Side View

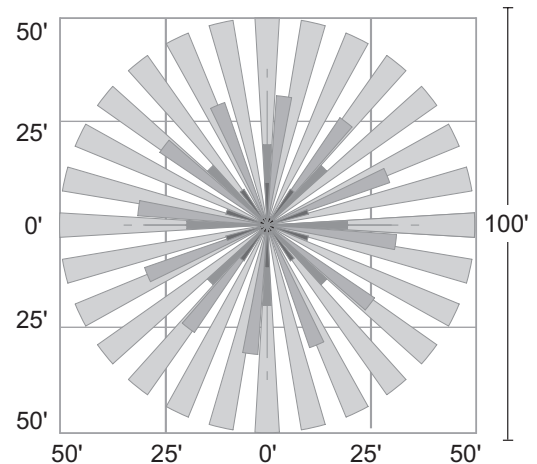


FS-L6: 360° Coverage

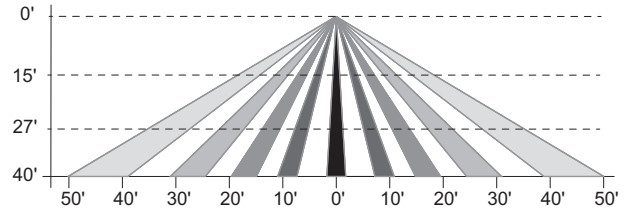
The FS-L6 has a lens that covers a 20' diameter area at a height of 8'.



Coverage Top View @40ft



Coverage Side View



FS-L7W and FSL7-G: 360° Coverage

These models have a lens that covers a 100' diameter area at a height of 40'.

WARRANTY INFORMATION

Wattstopper warrants its products to be free of defects in materials and workmanship for a period of five (5) years. There are no obligations or liabilities on the part of Wattstopper for consequential damages arising out of, or in connection with, the use or performance of this product or other indirect damages with respect to loss of property, revenue or profit, or cost of removal, installation or reinstallation.

INFORMATIONS RELATIVES À LA GARANTIE

Wattstopper garantit que ses produits sont exempts de défauts de matériaux et de fabrication pour une période de cinq (5) ans. Wattstopper ne peut être tenu responsable de tout dommage consécutif causé par ou lié à l'utilisation ou à la performance de ce produit ou tout autre dommage indirect lié à la perte de propriété, de revenus, ou de profits, ou aux coûts d'enlèvement, d'installation ou de réinstallation.

INFORMACIÓN DE LA GARANTÍA

Wattstopper garantiza que sus productos están libres de defectos en materiales y mano de obra por un período de cinco (5) años. No existen obligaciones ni responsabilidades por parte de Wattstopper por daños consecuentes que se deriven o estén relacionados con el uso o el rendimiento de este producto u otros daños indirectos con respecto a la pérdida de propiedad, renta o ganancias, o al costo de extracción, instalación o reinstalación.