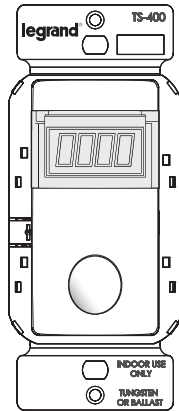


**Catalog Number • Numéro de Catalogue • Número de Catálogo: TS-400**

Country of Origin: Made in China • Pays d'origine: Fabriqué en Chine • País de origen: Hecho en China



## SPECIFICATIONS

|                             |  |
|-----------------------------|--|
| Voltages.....               | 120/277VAC, 50/60Hz                      |
| Load Requirements           |  |
| @ 20VAC .....               | 0-800W ballast, LED or Incandescent      |
| @ 277VAC .....              | 01200W ballast or LED                    |
| @ 125VAC .....              | 1/6 hp                                   |
| Time-Out Adjustment.....    | 5 min. to 12 hours                       |
| Time-Out Override.....      | 5 min. to 1 hour in 5 min. increments    |
| .....                       | 1 hour to 12 hours in 15 min. increments |
| Operating Temperature ..... | 32° to 104°F (0° to 40°C)                |
| Humidity .....              | Rh 5% to 95%, non-condensing             |
|                             | U.S. Patent: 5,540,113<br>5,804,991      |

## DESCRIPTION AND OPERATION

The InteliSwitch® TS-400 is a digital time switch that automatically turns lights off after a preset amount of time. The lights can also be turned off anytime during the timer's countdown by pushing the **ON/OFF** button. The TS-400 has four adjustable features: time-out period, time scroll direction, time-out visual, and audible warnings.

### Time-Out Period

The timer can be adjusted to hold lights on for five minutes to 12 hours. The default setting is 3 hours. See the DELAY switch adjustment to set the length of the time-out period.

### Time Scrolling

The user can manually and temporarily override the time-out period without changing the DELAY adjustment. The SCROLL adjustment determines whether the user's override options decrease from a longer time to a shorter time (scroll down) or increase from a shorter time to a longer time (scroll up). To choose the scrolling direction, consider the time-out DELAY setting, and then whether the usual temporary need will be for more or less time.

### Override Operation

Holding the **ON/OFF** button for longer than 4 seconds causes the timer to scroll through time increments, starting from the time-out DELAY setting. Releasing the **ON/OFF** switch resumes the countdown from that point. The minimum override setting is 5 minutes, maximum 12 hours.

The timer resets automatically to the time-out DELAY setting when the countdown runs out or the **ON/OFF** button is pushed.

### Visual (Flash) Option







If this option is on there are two occasions when the controlled lights flash. They flash one time when the countdown reaches 5 minutes and twice when the countdown reaches 1 minute.

### Audible (Sound) Option

If this option is on, the timer beeps every 5 seconds during the last minute of the time-out period.

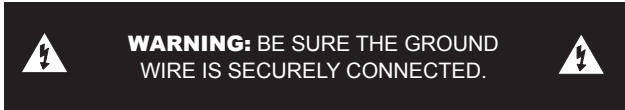
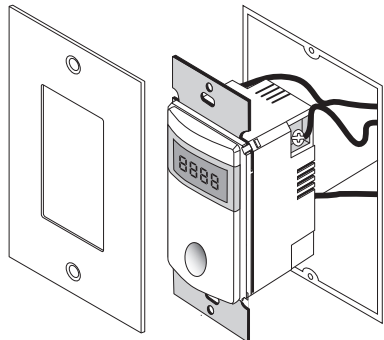
### Timer Countdown

Since the time-out period can be set for 5 minutes to 12 hours, the time is displayed in two different ways. For a countdown of less than an hour, the display shows minutes:seconds. The seconds count down. For a countdown of more than an hour, the display shows hours:minutes, the colon flashes every second.

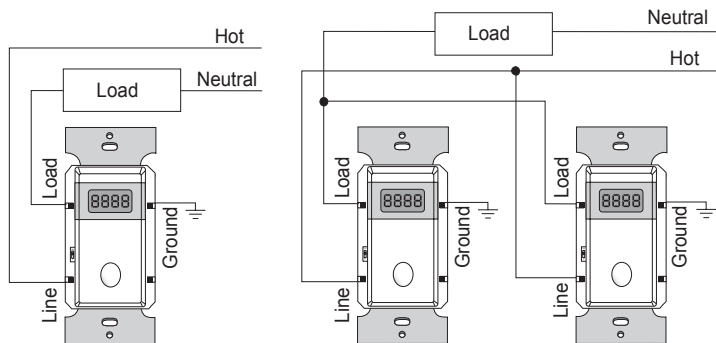
| Minute<br>Countdown   | Seconds<br>Elapsed | Hour<br>Countdown   |
|---|--------------------|---|
|  | :01                |  |
|  | :02                |  |
|  | :03                |  |

## INSTALLATION

1. Connect the existing wires to the switch terminals.
  - Hot to Line;
  - Load to Load;
  - Ground to Ground.
2. Attach the time switch to the wall by mounting it in the wall box with 2 mounting screws provided.
3. Turn on power to the time switch
4. 7-15 seconds after power is supplied to the time switch, it will be ready to function. The time switch beeps and the word OFF appears in the display. Push the ON/OFF switch to activate the lights. The timer begins its countdown. Push the ON/OFF switch during countdown to turn the lights off.
5. Select feature settings using the Switch Adjustment procedures.
6. Install cover plate.



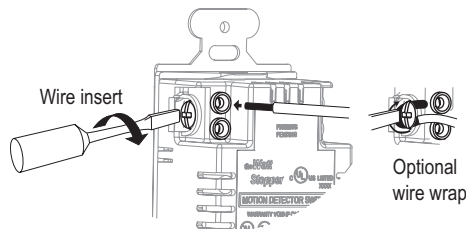
## WIRING



Single-switch Wiring

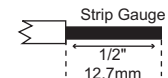
Three-way Wiring

When using a three-way application, lights may be turned on from either switch, but can only be turned off at the switch that turned them on.



Insert or wrap wire as shown and tighten screw in the clockwise direction.

#12 – #14 AWG



Cu Wire Only

## SWITCH ADJUSTMENT

Enter Settings Mode by pressing the Calibration Button (located on the left, behind the faceplate).

- If no input occurs within four seconds the display flashes then moves to the next setting.
- Press the Calibration Button to view the settings without making changes.
- Press the ON/OFF button within four seconds to change the setting.

### DELAY: 5 min. to 12 hr.

DELAY sets the time-out period. The selections begin at the currently set time (3 hours, default). When the time is less than an hour, the time increases by 5 minutes each time you press the ON/OFF button. When the time is more than an hour, it increases by 15 minutes. When the selection passes 12 hours, it restarts the selection scrolling at 5 minutes.

### SCROLL: Up or Down (dn)

To have the user's time override options decrease from a longer time to a shorter time, set Scroll for down. To increase from a shorter time to a longer time, set Scroll for UP.

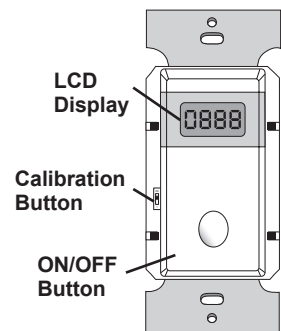
### FLASH: ON or OFF

### SOUND: ON or OFF

When the setting selection is complete the unit will either:

- Beep once and display END if the calibration button is being held; release the button to continue.
- Beep three times while it displays END. This gives you a chance to press the ON/OFF button to restart the setting procedure.

If you don't press either button within three seconds, the unit exits the Settings Mode and resumes its previous state.



TS-400

---

## TROUBLESHOOTING

---

### Lights will not turn on:

1. Verify that the ground wire is tightly secured.
2. If lights still do not go on, call 800.879.8585 for technical support.

### Lights will not turn off:

1. Do the lights turn off when you press the **ON/OFF** button?
  - If yes, check that the time-out period is set to the correct time-out. If the time-out period is adjusted to maximum, the lights will remain **ON** for 12 hours.
  - If no, call 800.879.8585 for technical support.
2. To test if the unit is operating properly, set the time-out period to minimum. Lights should turn off after five minutes.
3. If lights still do not turn off, call 800.879.8585 for technical support.

### Re-adjusting the Time-out Period:

To re-adjust the time-out period, set the new amount in the DELAY prompt of the Switch Adjustments. If this is done while the timer is counting down a prior setting, the new setting will not be recognized until the present countdown has expired or the timer is turned **OFF** and **ON** again.

---

## ORDERING INFORMATION

---

| Catalog Number | Description  |
|----------------|--|
| TS-400         | Digital Time Switch 120/277VAC, 50/60Hz            |
| ASP-211        | Cover plate for single-gang box                    |
| ASP-422        | Cover plate for double-gang box                    |
| ASP-432        | Cover plate for double-gang box with switch option |

TS-400 and cover plates are available in White (-W), Light Almond (-LA), Grey (-G), Black (-B), and Ivory (-I).

---

**WARRANTY INFORMATION**

Wattstopper warrants its products to be free of defects in materials and workmanship for a period of five (5) years. There are no obligations or liabilities on the part of Wattstopper for consequential damages arising out of, or in connection with, the use or performance of this product or other indirect damages with respect to loss of property, revenue or profit, or cost of removal, installation or reinstallation.

**INFORMATIONS RELATIVES À LA GARANTIE**

Wattstopper garantit que ses produits sont exempts de défauts de matériaux et de fabrication pour une période de cinq (5) ans. Wattstopper ne peut être tenu responsable de tout dommage consécutif causé par ou lié à l'utilisation ou à la performance de ce produit ou tout autre dommage indirect lié à la perte de propriété, de revenus, ou de profits, ou aux coûts d'enlèvement, d'installation ou de réinstallation.

**INFORMACIÓN DE LA GARANTÍA**

Wattstopper garantiza que sus productos están libres de defectos en materiales y mano de obra por un período de cinco (5) años. No existen obligaciones ni responsabilidades por parte de Wattstopper por daños consecuentes que se deriven o estén relacionados con el uso o el rendimiento de este producto u otros daños indirectos con respecto a la pérdida de propiedad, renta o ganancias, o al costo de extracción, instalación o reinstalación.

---