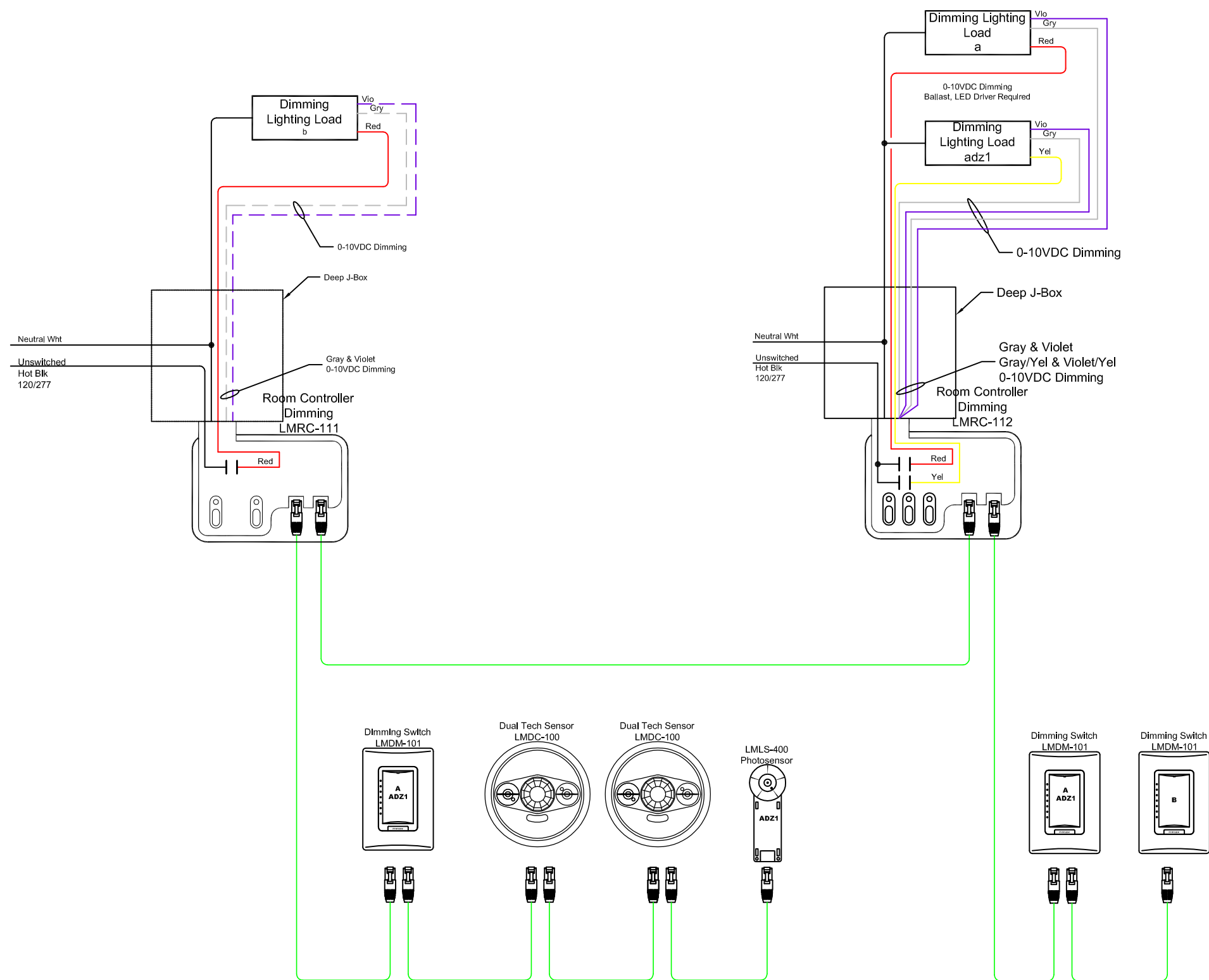


SEQUENCE OF OPERATION

1. General lighting (a, adz1) auto On to 50% when occupancy detected.
2. Space manual control On/Off/Dim general lighting (a, adz1) with dimmer switches.
3. Manual On/Off/Dim white board lighting (b) with dimmer switch.
4. Lighting in primary (adz1) daylight area will continuously dim based on daylight contribution to maintain at least 35FC at task level.
5. Auto off all lighting within 30 minutes of occupants leaving.

TYPICAL DRAWING DETAIL NOTES

1. Follow manufacturer instructions for proper product placement, installation, wiring and operation.
2. Diagram is typical for space type. Provide proper quantity and type of occupancy sensors, switches, room controllers, daylighting sensors, etc., per code requirement for each space.
3. Use pre-terminated CAT5e cables with splitters and couplers as needed using a free topology wiring arrangement to connect lighting control devices.



Wattstopper			
<small>www.legrand.us/wattstopper Phone: 888-852-2278</small>			
legrand®			
Title ASHRAE 2010 CLASSROOM 0-10V DIMMING			
Scale	Drawing#	Date	Rev.
None	A10CRDD-W	3/1/2018	