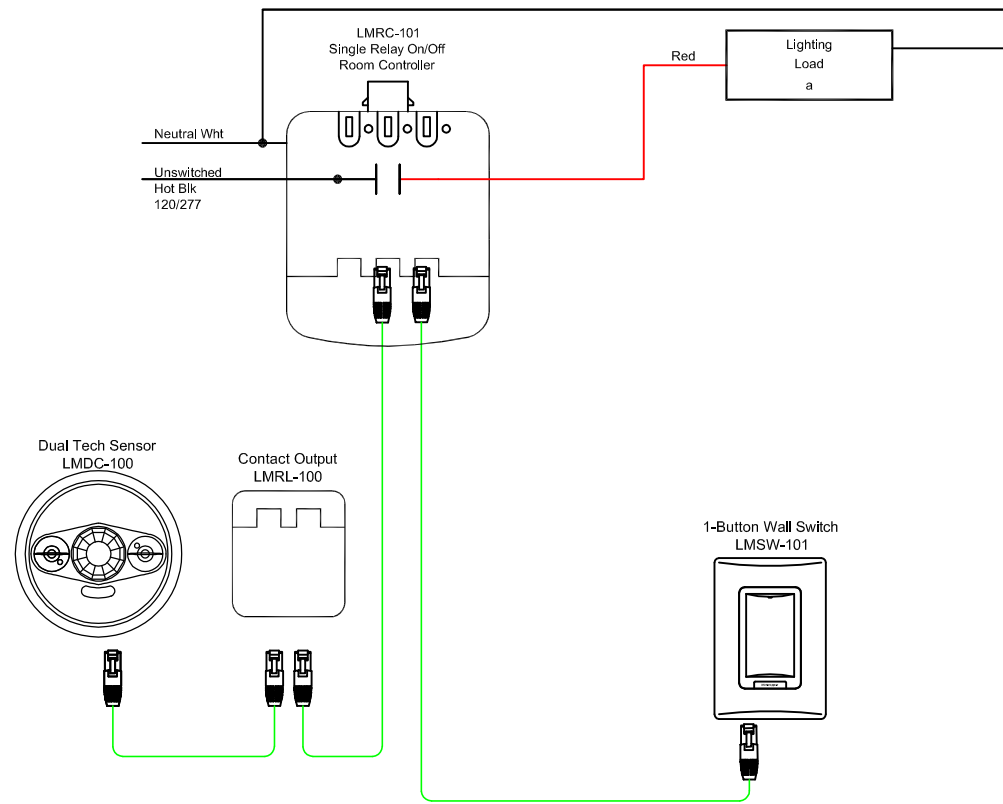
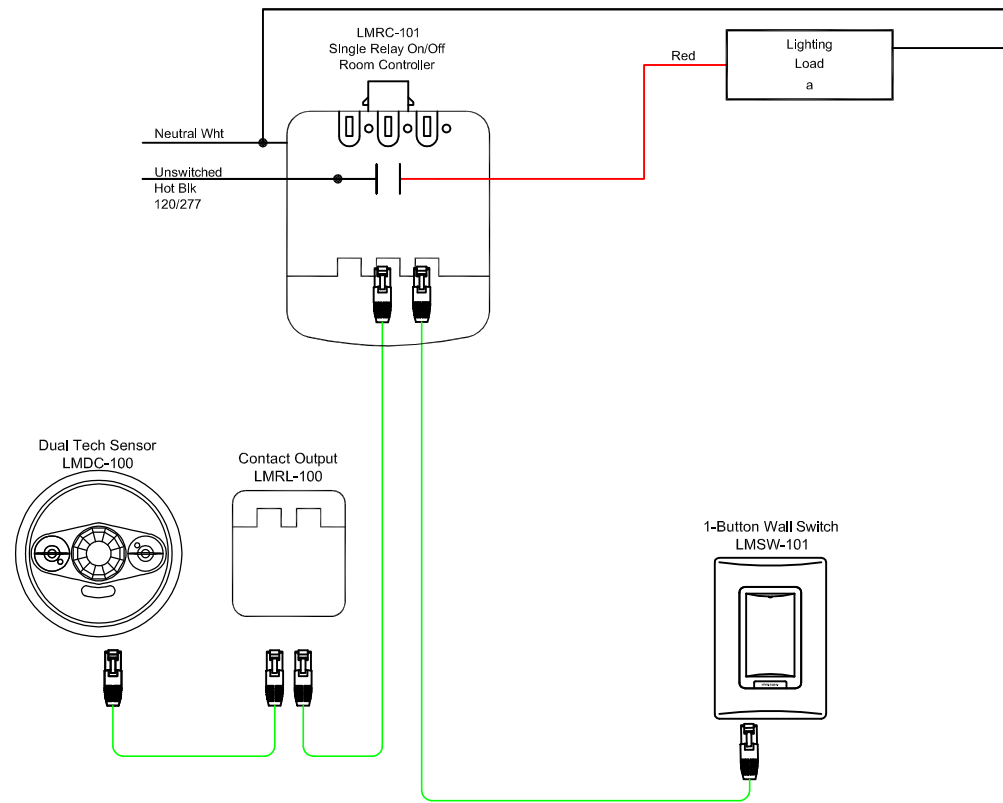


SEQUENCE OF OPERATION

1. For each restroom independently, lighting auto On to 100% and exhaust fan auto on when occupancy detected.
2. Manual On/Off with local control switch.
3. Auto off all lighting and exhaust fans for each restroom independently within 30 minutes of occupants leaving.

TYPICAL DRAWING DETAIL NOTES

1. Follow manufacturer instructions for proper product placement, installation, wiring and operation.
2. Diagram is typical for space type. Provide proper quantity and type of occupancy sensors, switches, room controllers, daylighting sensors, etc., per code requirement for each space.
3. Use pre-terminated CAT5e cables with splitters and couplers as needed using a free topology wiring arrangement to connect lighting control devices.



Wattstopper			
<small>www.legrand.us/wattstopper Phone: 888-852-2278</small>			legrand®
Title ASHRAE_2010 MULTI-STALL RESTROOM On/Off Switching			
Scale	Drawing#	Date	Rev.
None	A10RRRD-W	3/2/2018	