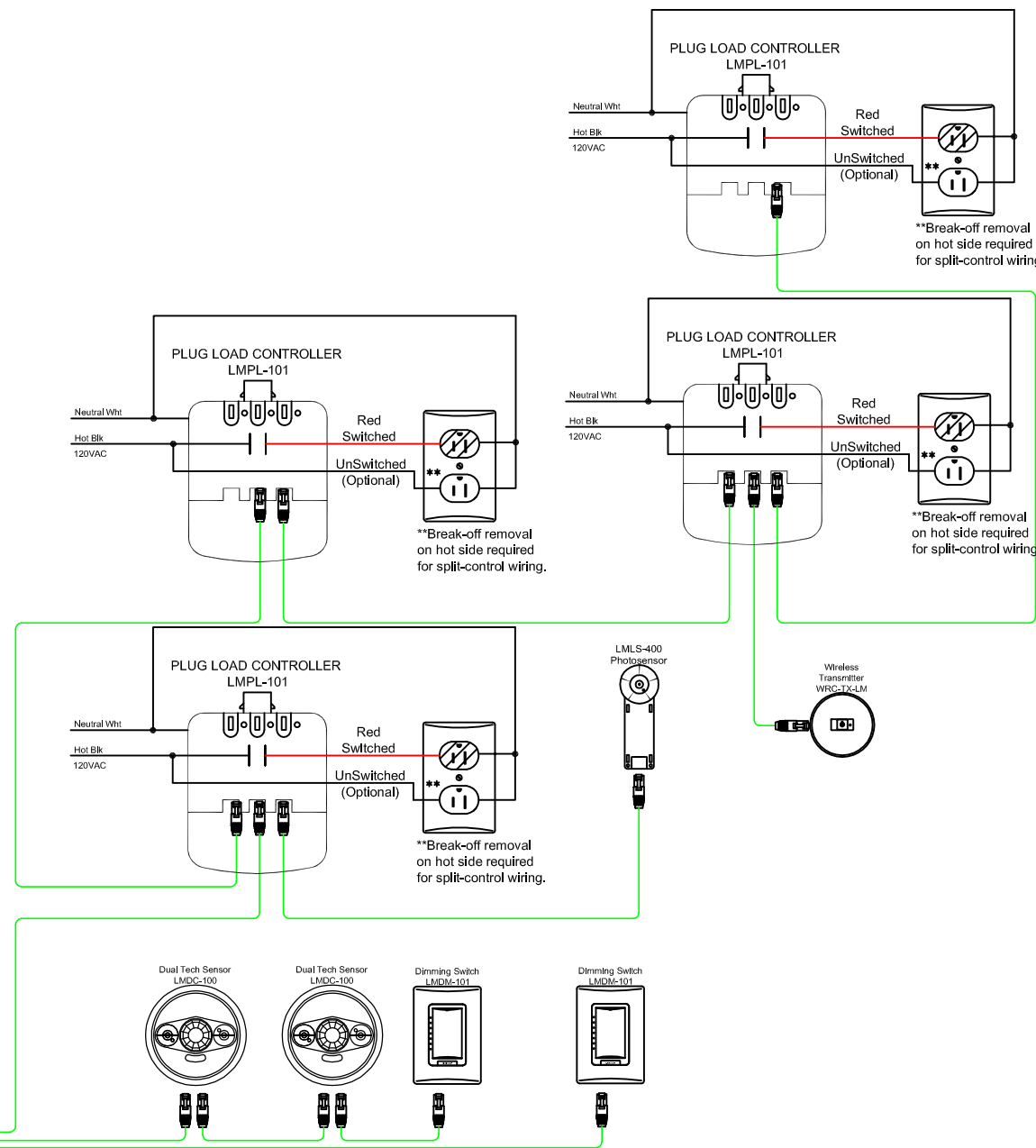
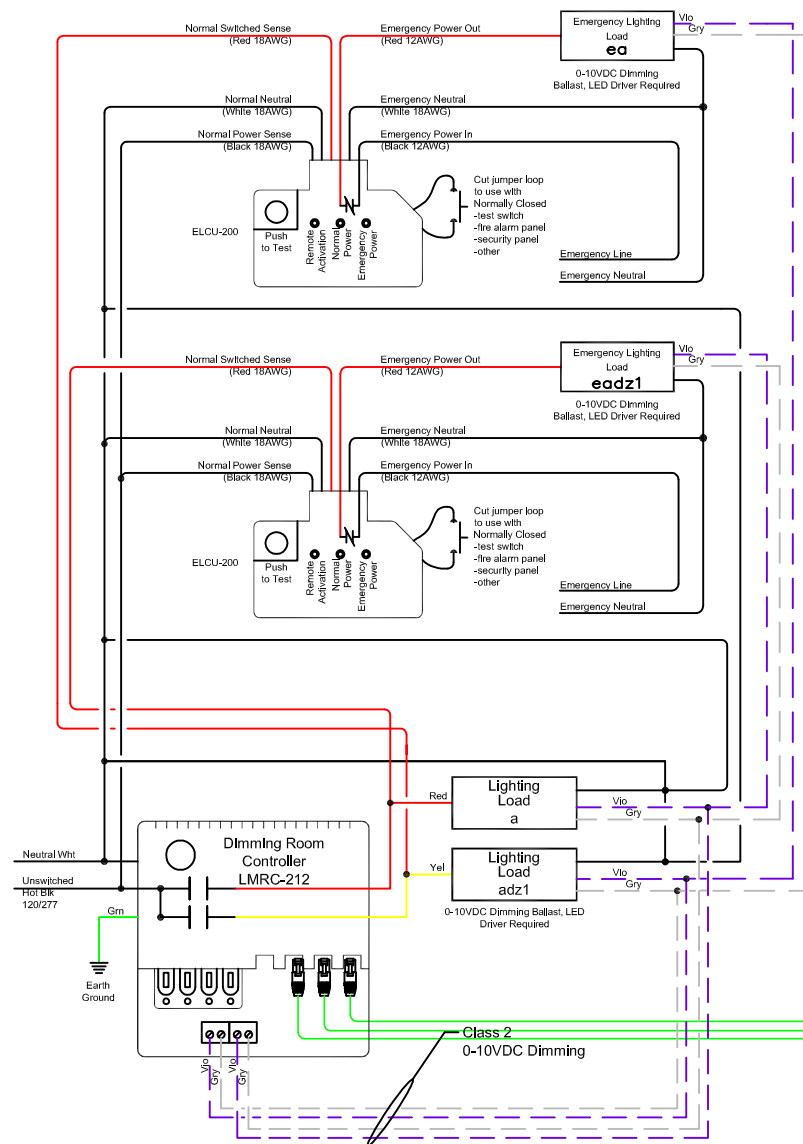


## SEQUENCE OF OPERATION

1. General lighting (a, adz1) auto On to 50% and controlled receptacles auto On when occupancy detected.
2. Space manual control On/Off/Dim general lighting (a, adz1) with dimmer switches.
3. Lighting in primary (adz1) daylight area will continuously dim based on daylight contribution to maintain at least 35FC at task level.
4. Auto off all lighting and controlled receptacles within 30 minutes of occupants leaving.
5. Emergency lighting transfers to emergency power source and full On with loss of normal power.

## TYPICAL DRAWING DETAIL NOTES

1. Follow manufacturer instructions for proper product placement, installation, wiring and operation.
2. Diagram is typical for space type. Provide proper quantity and type of occupancy sensors, switches, room controllers, daylighting sensors, etc., per code requirement for each space.
3. Use pre-terminated CAT5e cables with splitters and couplers as needed using a free topology wiring arrangement to connect lighting control devices.



<b>Wattstopper</b>			
<small>www.legrand.us/wattstopper Phone: 888-852-2278</small>			
<b>legrand®</b>			
Title <b>ASHRAE 2010 OPEN OFFICE 0-10V DIMMING</b>			
Scale	Drawing#	Date	Rev.
None	A100ODDP-W	3/2/2018	