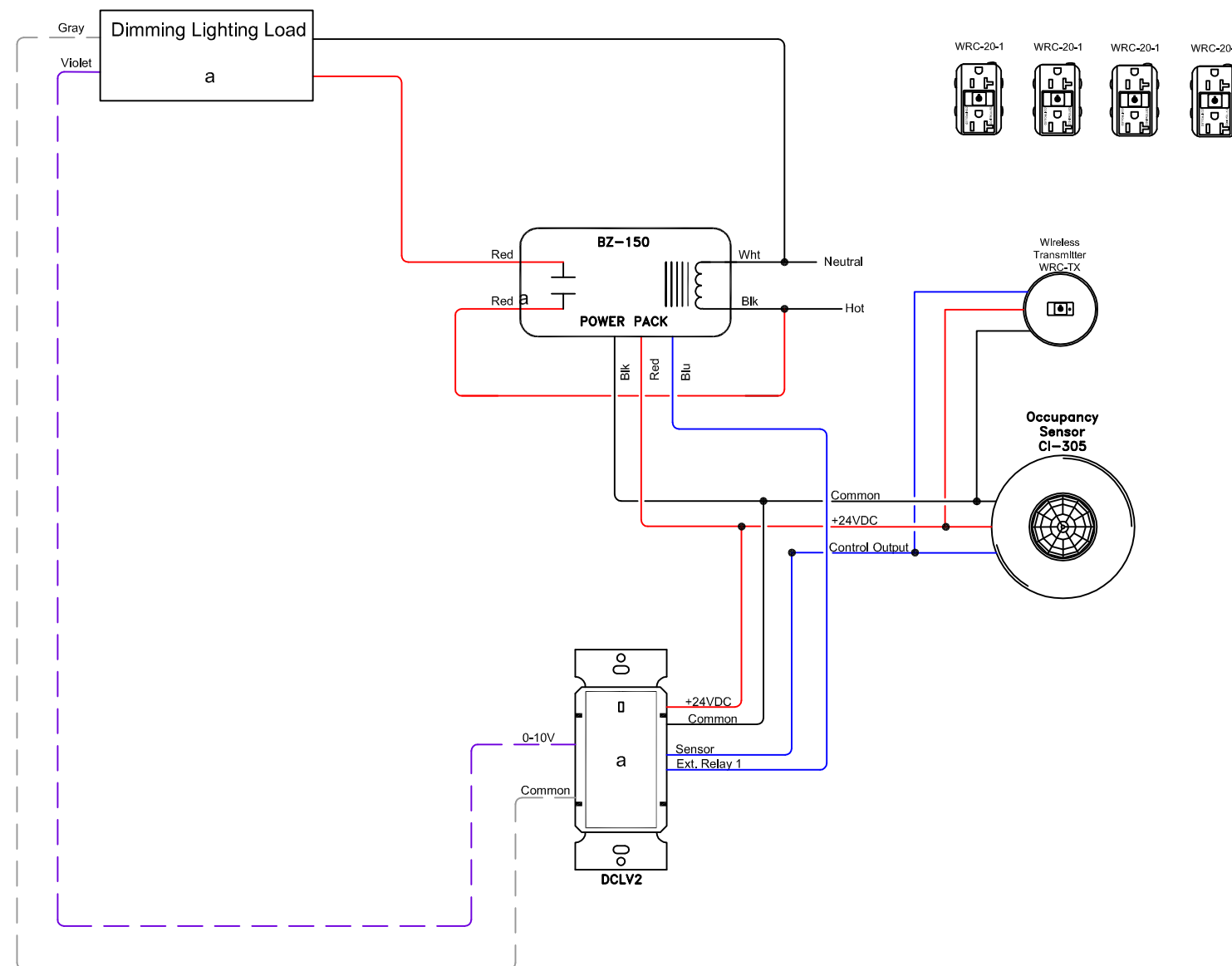


SEQUENCE OF OPERATION

1. Lighting auto On to 50% illumination and controlled receptacles auto On when occupancy detected.
2. Manual On/Off/Dim control of lighting with wall switch.
3. Auto off all lighting and controlled receptacles within 20 minutes of occupants leaving.

TYPICAL DRAWING DETAIL NOTES

1. Follow manufacturer instructions for proper product placement, installation, wiring and operation.
2. Diagram is typical for space type. Provide proper quantity and type of occupancy sensors, switches, power pack, etc., per code requirement for each space.
3. When lighting power in the primary sidelight area is 150 W or greater, it must have automatic daylight responsive controls installed for all general lighting in that area.



Wattstopper			
<small>www.legrand.us/wattstopper</small>			legrand
<small>Phone: 888-852-2278</small>			
Title			
ASHRAE 2013 SMALL CONFERENCE ROOM Dimming with Analog Product			
Scale	Drawing#	Date	Rev.
None	A13SCDAP-W	3/13/2018	