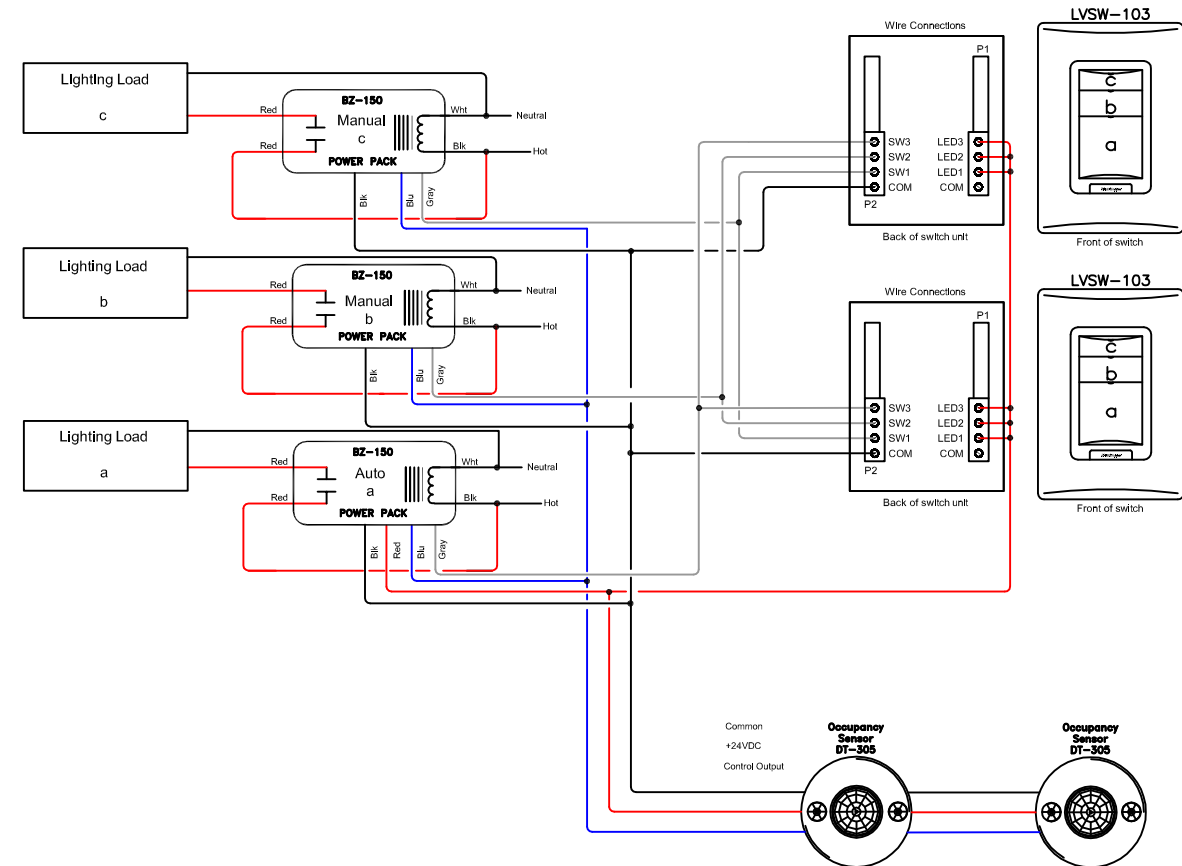


SEQUENCE OF OPERATION

1. Manual On/Off and 50% reduction control of general lighting (a, b) with wall switches.
2. Manual control On/Off white board lighting (c) with wall switches.
3. Auto Off all lighting within 20 minutes of occupants leaving.

TYPICAL DRAWING DETAIL NOTES

1. Follow manufacturer instructions for proper product placement, installation, wiring and operation.
2. Diagram is typical for space type. Provide proper quantity and type of occupancy sensors, switches, power pack, etc., per code requirement for each space.
3. When lighting power in the primary sidelight area is over 150 W, it must have automatic daylight responsive controls installed for all general lighting in that area



Wattstopper			
www.legrand.us/wattstopper		legrand	
Phone: 888-852-2278			
Title IECC 2015 CLASSROOM On/Off Switching			
Scale	Drawing#	Date	Rev.
None	I15CRRA-W	3/7/2018	1