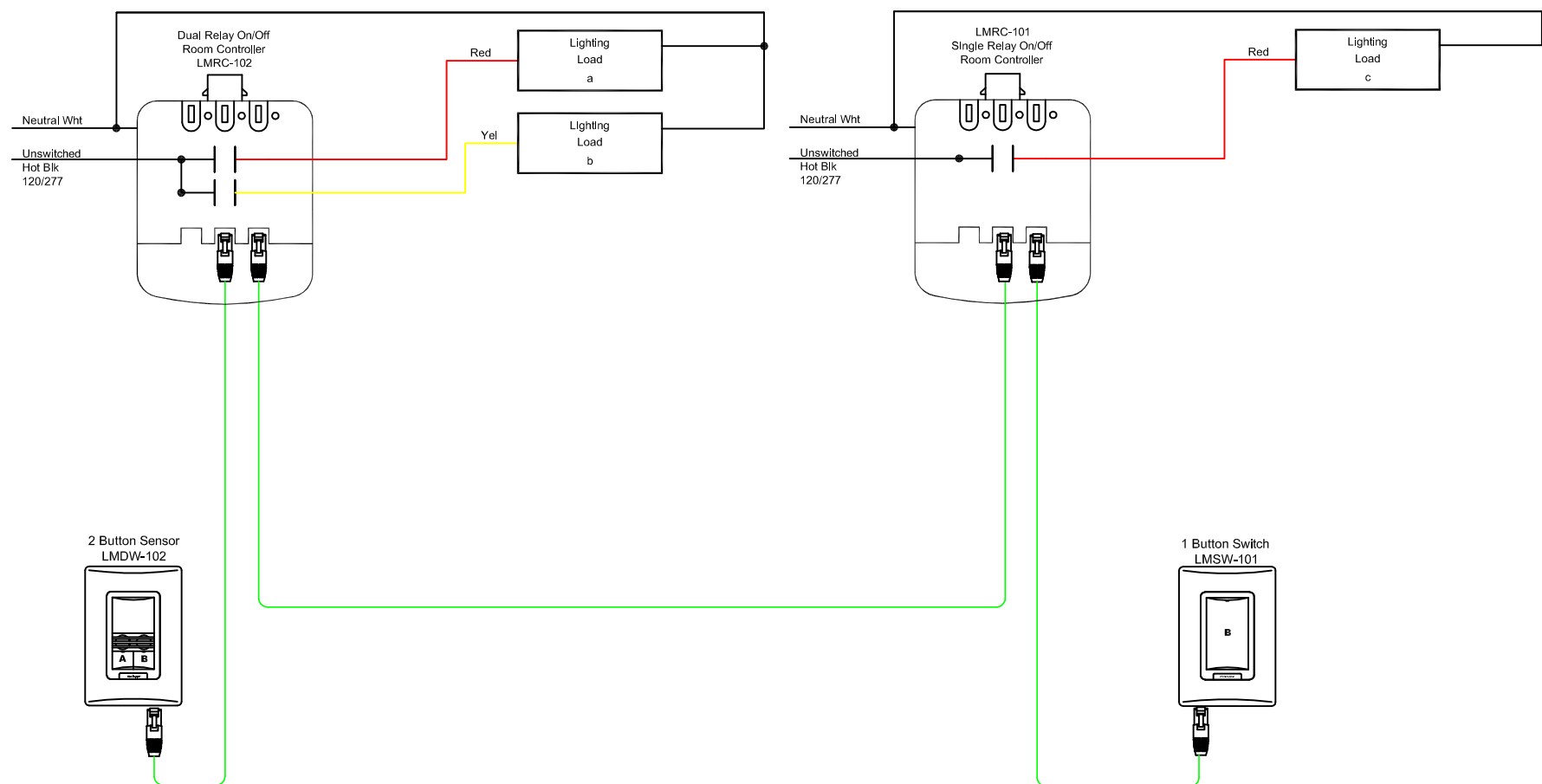


SEQUENCE OF OPERATION

1. General lighting (a) auto On to 50% when occupancy detected.
2. Manual On/Off and 50% reduction control of general lighting (a, b) with wall switch occupancy sensor.
3. Manual On/Off control under cabinet lighting (c) with switch.
4. Auto off all lighting within 20 minutes of occupants leaving.

TYPICAL DRAWING DETAIL NOTES

1. Follow manufacturer instructions for proper product placement, installation, wiring and operation.
2. Diagram is typical for space type. Provide proper quantity and type of occupancy sensors, switches, room controllers, daylighting sensors, etc., per code requirement for each space.
3. When general lighting power in the sidelight daylight area is greater than 150w, automatic daylight responsive controls are required.
4. Use pre-terminated CAT5e cables with splitters and couplers as needed using a free topology wiring arrangement to connect lighting control devices.



Wattstopper			
<small>www.legrand.us/wattstopper Phone: 888-852-2278</small>			
legrand®			
Title IECC 2015 BREAKROOM / KITCHEN SWITCHING			
Scale	Drawing#	Date	Rev.
None	I15BKRD-W	2/14/2018	2