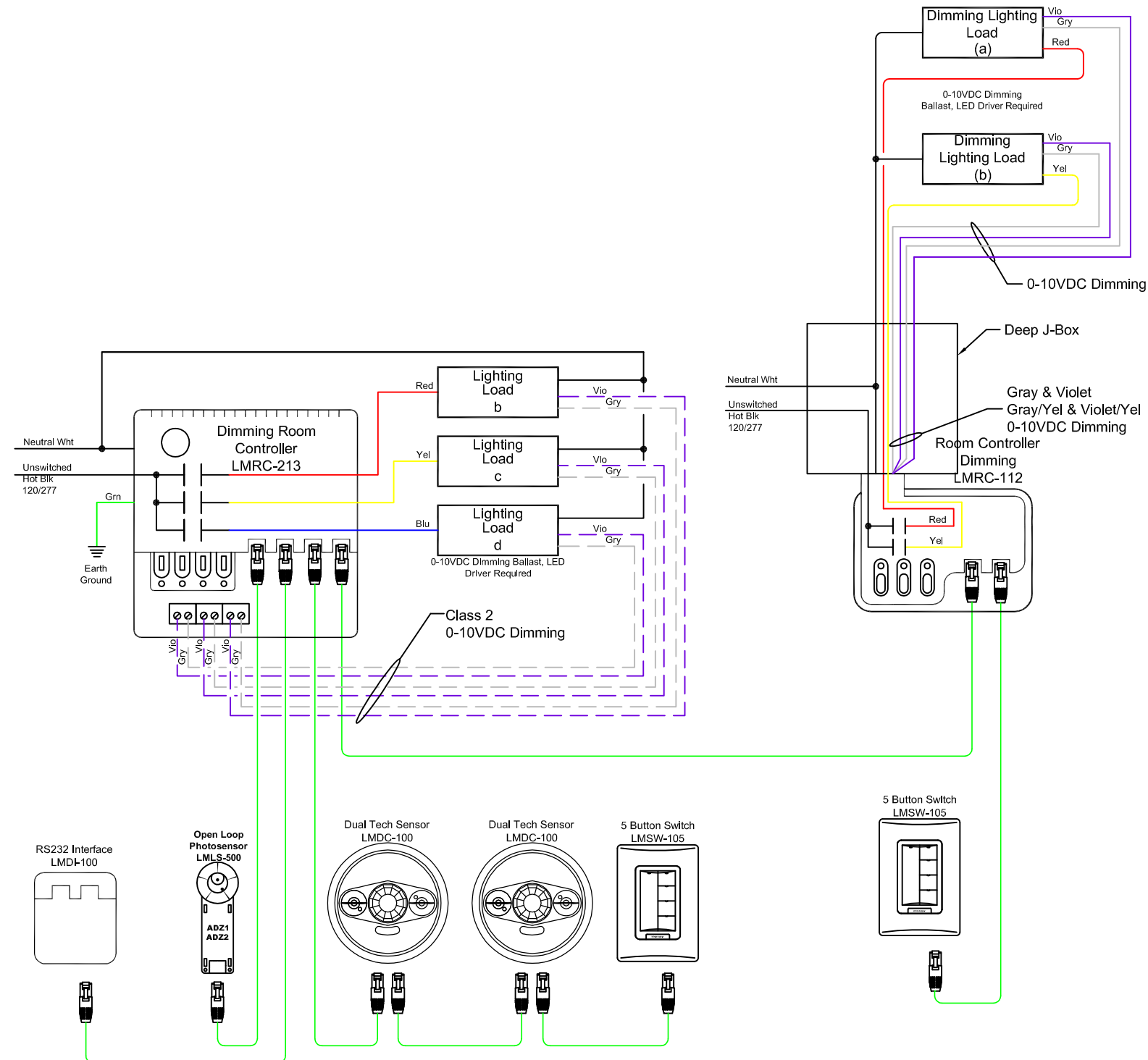


SEQUENCE OF OPERATION

- General lighting (a, adz1) auto On to 50% when occupancy detected.
- Manual On/Off/Dim and reduction control of general lighting (a, adz1) and down lighting (b, c, d) with scene switches.
- Scene settings
 - General Lighting (a, adz1) 100%, (b) 0%, (c) 0%, (d) 0%
 - Projection (a, adz1) 0%, (b) 75%, (c) 50%, (d) 0%
 - Conferencing (a, adz1) 50%, (b) 50%, (c) 25%, (d) 50%
 - All Off (a, adz1) 0%, (b) 0%, (c) 0%, (d) 0%
- Lighting in daylight zone (adz1) will continuously dim based on daylight contribution to maintain at least 35FC at task level.
- Auto Off all lighting and A/V systems within 20 minutes of occupants leaving

TYPICAL DRAWING DETAIL NOTES

- Follow manufacturer instructions for proper product placement, installation, wiring and operation.
- Diagram is typical for space type. Provide proper quantity and type of occupancy sensors, switches, room controllers, daylighting sensors, etc., per code requirement for each space.
- When general lighting power in the sidelight daylight area is greater than 150w, automatic daylight responsive controls are required.
- Use pre-terminated CAT5e cables with splitters and couplers as needed using a free topology wiring arrangement to connect lighting control devices.



Wattstopper			
<small>www.legrand.us/wattstopper Phone: 888-852-2278</small>			
legrand®			
Title			
IECC 2015 CONFERENCE ROOM 0-10V DIMMING			
Scale	Drawing#	Date	Rev.
None	I15LCDD-W	2/14/2018	2