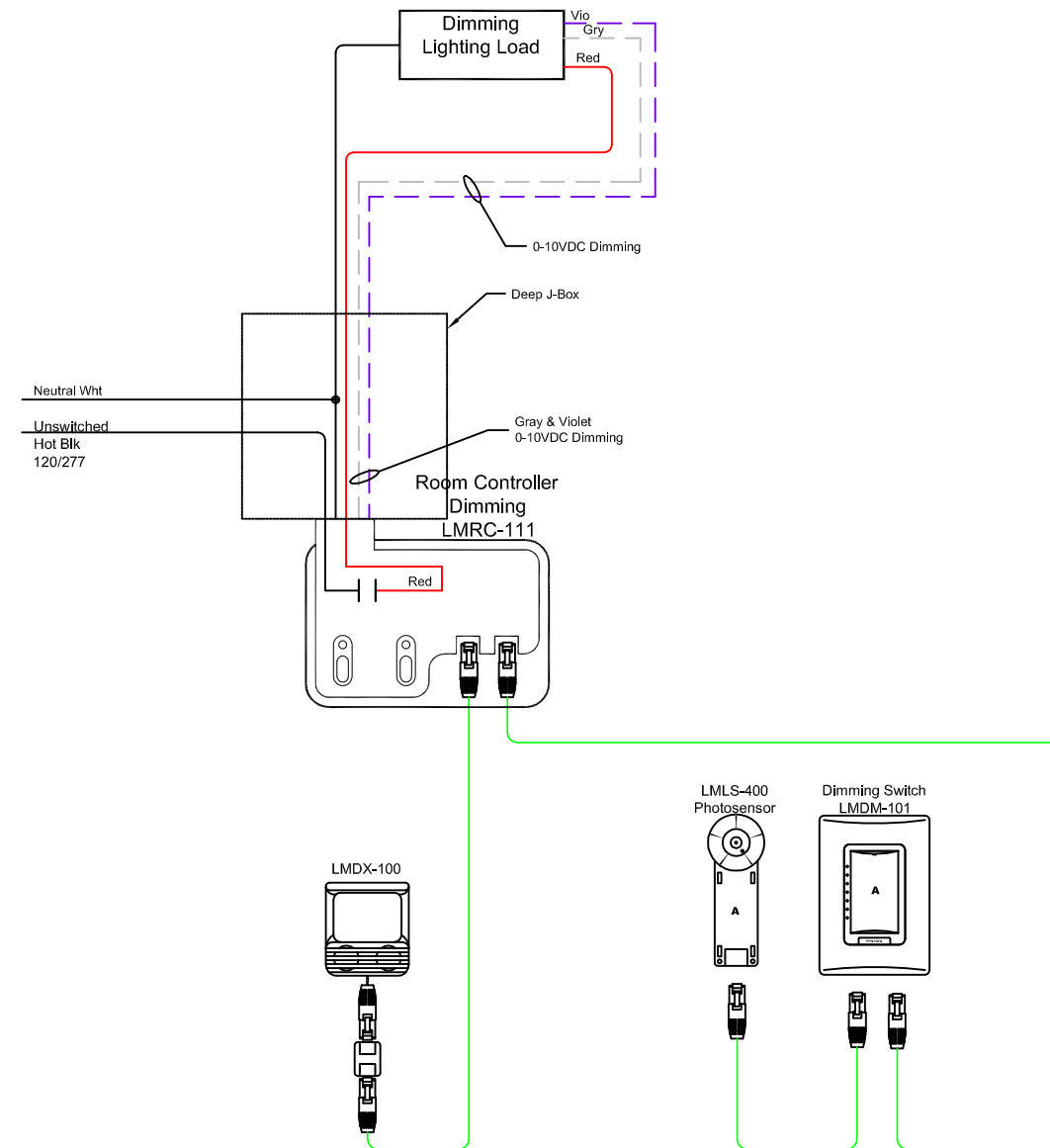


SEQUENCE OF OPERATION

1. Lighting auto On to 50% when occupancy detected.
2. Manual On/Off/Dim and reduction control of general lighting with dimmer switch.
3. Lighting will continuously dim based on daylight contribution to maintain at least 35FC at task level.
4. Auto Off all lighting within 20 minutes of occupants leaving.

TYPICAL DRAWING DETAIL NOTES

1. Follow manufacturer instructions for proper product placement, installation, wiring and operation.
2. Diagram is typical for space type. Provide proper quantity and type of occupancy sensors, switches, room controllers, daylighting sensors, etc., per code requirement for each space.
3. When general lighting power in the sidelight daylight area is greater than 150w, automatic daylight responsive controls are required.
4. Use pre-terminated CAT5e cables with splitters and couplers as needed using a free topology wiring arrangement to connect lighting control devices.



Wattstopper			
www.legrand.us/wattstopper Phone: 888-852-2278			
Title IECC 2015 LARGE PRIVATE OFFICE 0-10V DIMMING			
Scale None	Drawing# I15LODD-W	Date 2/14/2018	Rev. 2