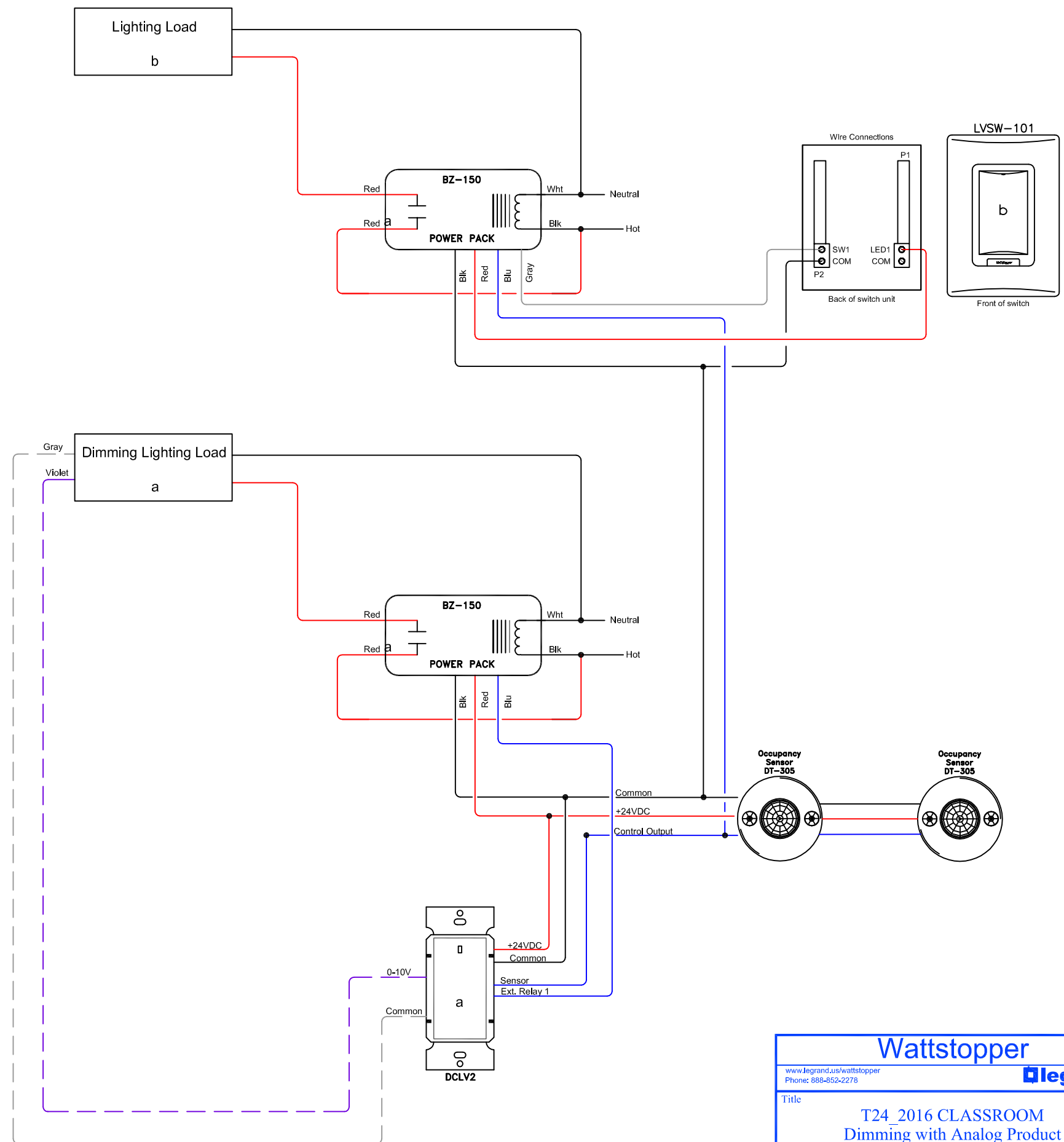


## SEQUENCE OF OPERATION

1. Manual On/Off and multi-level control of general lighting (a) with wall switches.
  2. Manual control On/Off white board lighting (b) with wall switch.
- Auto off all lighting within 20 minutes of occupants leaving.

## TYPICAL DRAWING DETAIL NOTES (wiring diagrams only)

1. Follow manufacturer instructions for proper product placement, installation, wiring and operation.
2. Diagram is typical for space type. Provide proper quantity and type of occupancy sensors, switches, power pack, etc., per code requirement for each space.
3. When lighting power in the primary sidelight area is 120 W or greater, it must have automatic daylight responsive controls installed for all general lighting in that area.



<b>Wattstopper</b>			
<small>www.legrand.us/wattstopper Phone: 888-852-2278</small>			
<b>legrand®</b>			
Title <b>T24_2016 CLASSROOM Dimming with Analog Product</b>			
Scale	Drawing#	Date	Rev.
None	T16CRDA-W	3/13/2018	