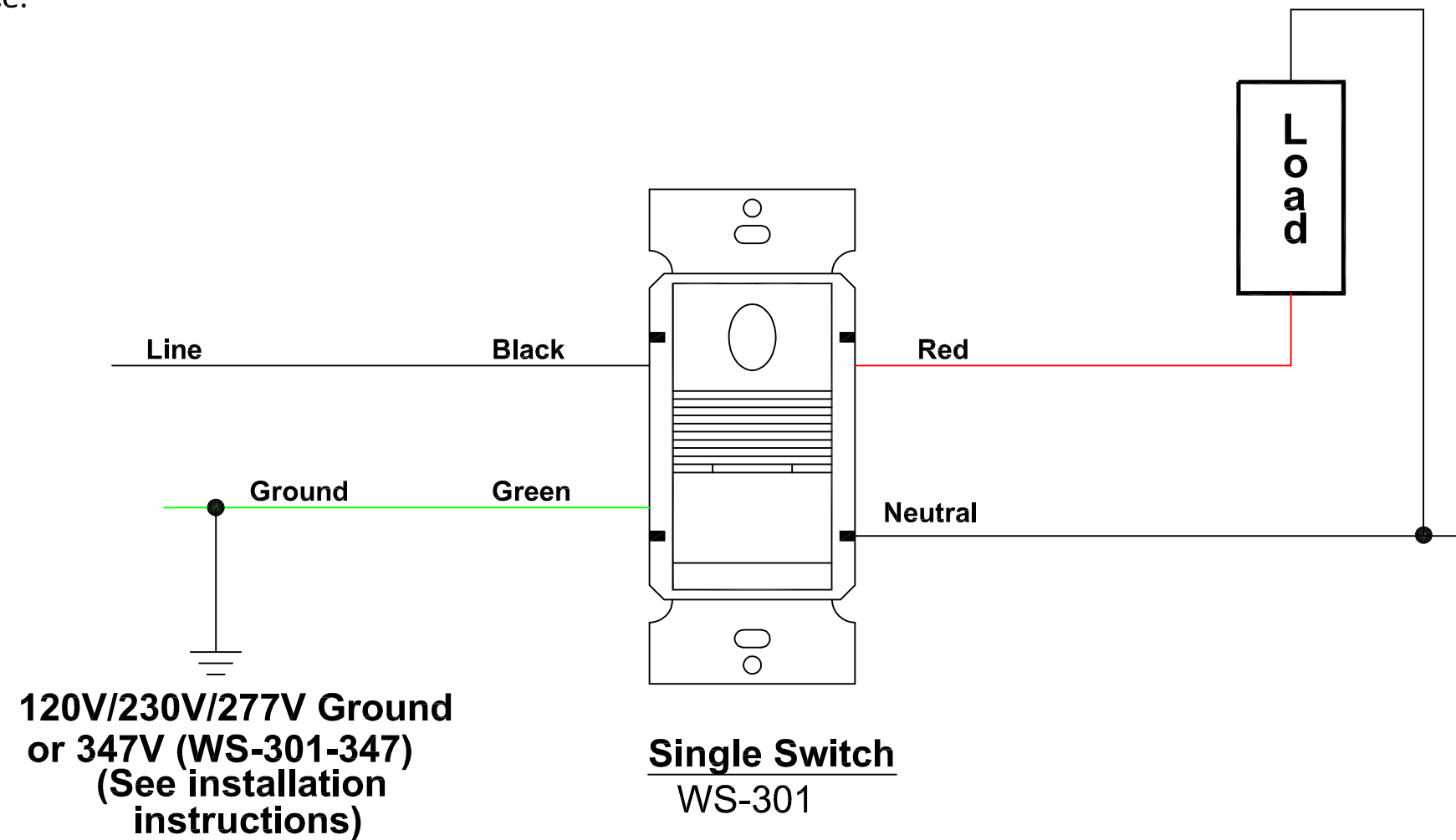


SEQUENCE OF OPERATION

1. Lighting and fan are manually controlled On/Off with occupancy sensor switch.
2. Lighting and fan will auto Off within 15 minutes of occupants leaving.

TYPICAL DRAWING DETAIL NOTES

1. Follow manufacturer instructions for proper product placement, installation, wiring and operation.
2. Diagram is typical for space type. Provide proper quantity and type of occupancy sensors, switches, power pack, etc., per code requirement for each space.



Wattstopper			
<small>www.legrand.us/wattstopper</small>		<small>Phone: 888-852-2278</small>	
legrand®			
Title			
T24_2016 PRIVATE RESTROOM			
On/Off Switching Line Voltage Wallbox Product			
Scale	Drawing#	Date	Rev.
None	T16PRRL-W	4/25/2018	