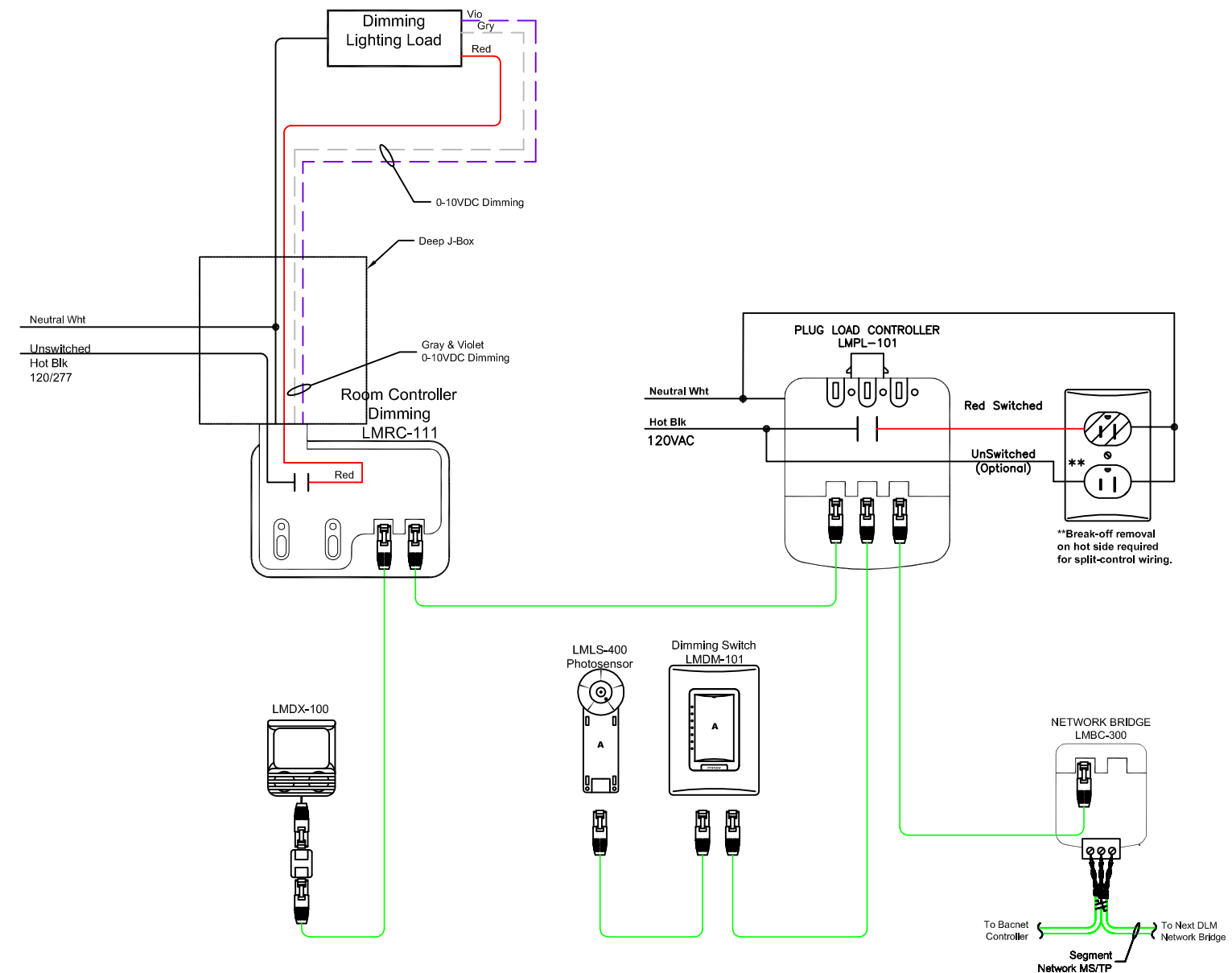


## SEQUENCE OF OPERATION

1. Lighting auto On to 50% and controlled receptacles auto On when occupancy detected.
2. Manual On/Off/Dim lighting with dimmer switch.
3. Lighting in primary daylight zone will continuously dim based on daylight contribution to maintain at least 35FC at task level.
4. Auto off all lighting and controlled receptacles within 20 minutes of occupants leaving.
5. A network demand response signal will reduce lighting level by a minimum of 15% of total lighting power.

## TYPICAL DRAWING DETAIL NOTES

1. Follow manufacturer instructions for proper product placement, installation, wiring and operation.
2. Diagram is typical for space type. Provide proper quantity and type of occupancy sensors, switches, room controllers, daylighting sensors, etc., per code requirement for each space.
3. Use pre-terminated CAT5e cables with splitters and couplers as needed using a free topology wiring arrangement to connect lighting control devices.
4. Use LM-MSTP wire to daisy change connect network bridge devices in each room. Twist together and tape back the shielded wire and DO NOT connect to network terminals.



<b>Wattstopper</b>			
www.legrand.us/wattstopper		<b>legrand</b>	
Phone: 888-852-2278			
Title			
T24_2016 LARGE PRIVATE OFFICE 0-10V DIMMING			
Scale	Drawing#	Date	Rev.
None	T16LODD-W	2/14/2018	2