



Walker® Infloor Systems

Walkerduct Pro Series Preset Extensions and Marker Caps INSTALLATION INSTRUCTIONS

Walker® electrical systems conform to and should be properly grounded in compliance with requirements of the current National Electrical Code or codes administered by local authorities.

All electrical products may present a possible shock or fire hazard if improperly installed or used. Walker electrical products may bear the mark as UL Listed and/or Classified and should be installed in conformance with current local and/or the National Electrical Code.

Products Covered:

Cat. Nos. 425, 426, 422RD and 422GR1.

1. Remove Mudcap: (See Figure 1).

- Strike blade of screwdriver or 1/4" [6.4mm] cold chisel along side of mudcap as shown. Top edge of mudcap will deflect inward.
- Pry out cap with screwdriver by positioning blade between preset wall and deflected edge of mudcap or, use pliers to grab edge of cap and lift out.

2. Install Marker Cap:

- Identify duct runs as to power or telecommunication.
- Install marker cap **at last preset** in each run by tapping down into preset using a wood block.
- During concrete pour and finishing, locate marker post and remove concrete, if required, so that marker post is visible.

3. Install Extension:

- See instructions above for removal of mudcap.
- Position extension so coupling rings align with post on preset.
- Tap down firmly into preset using a wood block.
- Tap down mudcap into preset using a wood block.

NOTE: 1" [25mm] high extensions may be stacked as high as needed.
1/2" [12.1mm] extensions cannot be stacked.

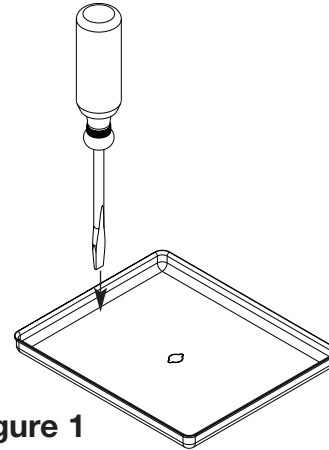


Figure 1

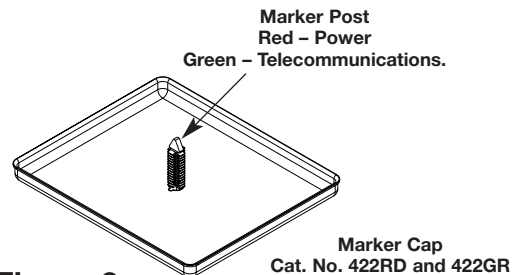


Figure 2

