



Walker® Infloor Systems

Fiber Loop Kit

Cat. No. 427

INSTALLATION INSTRUCTIONS

1. Snap and slide wire retainers into tabs in base of preset prior to pulling wire or cable.
2. Position cable from raceway into first clip opposite of cable entrance. Loop cable to each clip while maintaining 1 1/4" [32mm] bend radius. See Figure 2.

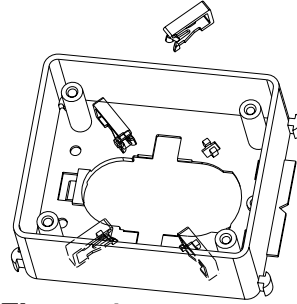


Figure 1

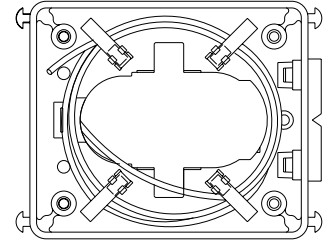


Figure 2

®Walkerduct Pro Series Mudcap and Knockout Removal:

1. Use a Walker insert finder (Cat. No. 480) or other electronic locator to find center of preset. Cut and remove carpeting or tile over preset. (Carpet may be saved for later abandoning.) Chip out concrete exposing mudcap.

NOTE: If presets are more than 1/2" [12.1mm] below concrete, use of a hammer drill with 1/2" chisel is recommended. Be careful not to damage preset!

2. Remove Mudcap: (See Figure 1).

- A. Strike blade of screwdriver or 1/4" [6.4mm] cold chisel along side of mudcap as shown. Top edge of mudcap will deflect inward.
- B. Pry out cap with screwdriver by positioning blade between preset wall and deflected edge of mudcap or, use pliers to grab edge of cap and lift out. Remove all debris from preset.

C. Grout around opening if concrete does not break away cleanly.

3. Remove Knockout: (See Figure 2).

- A. Insert screwdriver blade into opening in base of preset. Push screwdriver toward center of preset, breaking tabs. Position screwdriver into opening on other side of knockout and break tabs to release knockout.
- B. Inserting a wire hook into arched opening at center of preset will prevent knockout from falling into duct. Remove all debris from raceway.

CAUTION: Some sharp edges may occur along knockout tabs. These must be deburred.

4. **Important!** Tighten bonding screw in base of preset with No. 3 Phillips screwdriver.

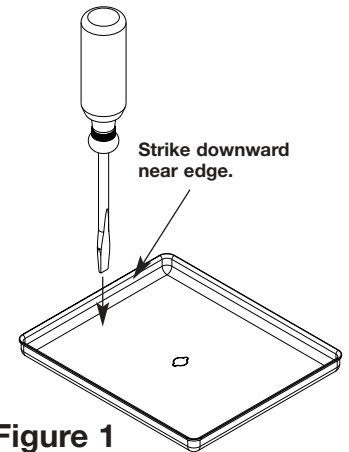


Figure 1

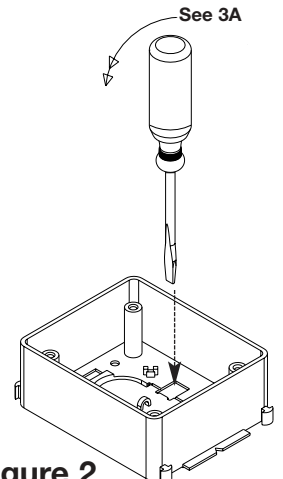


Figure 2



Walker® electrical systems conform to and should be properly grounded in compliance with requirements of the current National Electrical Code or codes administered by local authorities.

All electrical products may represent a possible shock or fire hazard if improperly installed or used. Walker electrical products bear the mark as UL Listed and/or Classified and should be installed in conformance with current local and/or the National Electrical Code.