

WIREMOLD



COM50, COM75 Poke-Thru Communication Adapter INSTALLATION INSTRUCTIONS

Installation Instruction No.: 1 002 350 R1 - Updated April 2005

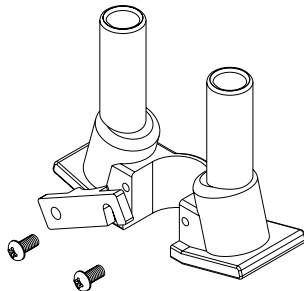
Wiremold Electrical Systems conform to and should be installed and properly grounded in compliance with requirements of the current National Electrical Code, Canadian Electrical Code or codes administered by local authorities.

All electrical products may represent possible shock or fire hazard if improperly installed or used. Wiremold electrical products are UL Listed to U.S. and Canadian safety standards, made for interior use only, and should be installed in conformance with current local and/or the National Electrical Code.

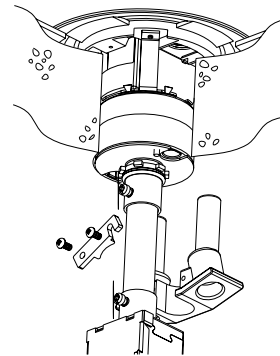
IMPORTANT: *Please Read All Instructions Before Beginning.*

Products Covered: COM50, COM75

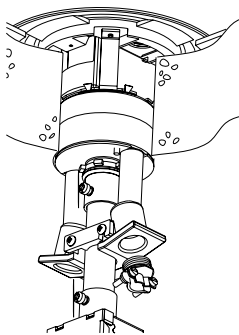
Step 1. Remove clamp from Communication Adapter.



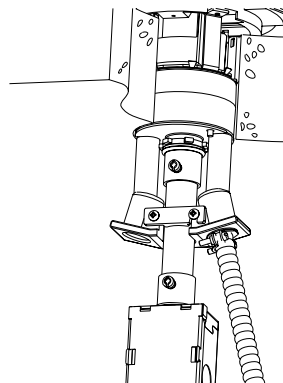
Step 2. Place Communication Adapter around poke-thru EMT stem section and reattach clamp.



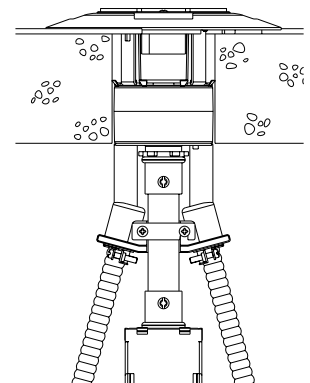
Step 3. Thread 1/2" trade size conduit into COM50 Communication Adapter, or 3/4" trade size conduit fitting into COM75 Communication Adapter.



Step 4. Attach conduit to fitting and pull wire or cable through raceway.



Step 5. Repeat for other side if necessary. Installation complete.



WIREMOLD



Wiremold / Legrand

U.S. and International:

60 Woodlawn Street • West Hartford, CT 06110

1-800-621-0049 • FAX 860-232-2062 • Outside U.S. 860-233-6251

Canada:

570 Applewood Crescent • Vaughan, Ontario L4K 4B4

1-800-723-5175 • FAX 905-738-9721

