



Walker® Infloor Systems

RC7

Replacement Scrub Water Cover Assembly Kit

INSTALLATION INSTRUCTIONS

Installation Instruction No.: 1 002 151 R1 – Updated October 2003

Walker® electrical systems conform to and should be properly grounded in compliance with requirements of the current National Electrical Code or codes administered by local authorities.

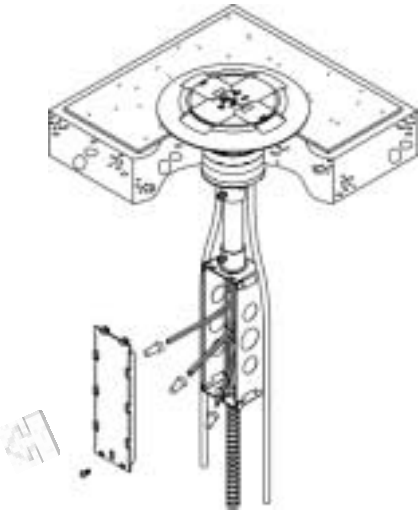
All electrical products may present a possible shock or fire hazard if improperly installed or used. Walker electrical products may bear the mark as UL Listed and/or Classified and should be installed in conformance with current local and/or the National Electrical Code.

IMPORTANT – PLEASE READ ALL INSTRUCTIONS BEFORE BEGINNING.

Products Covered: RC7KTC

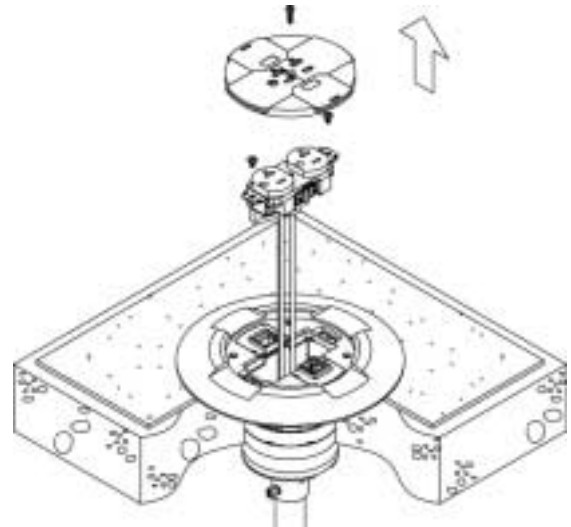
CAUTION: Do Not operate tile stripper or resurfacing equipment over top of covers.
This may result in damage to the surface finish of the product.

Step 1. Remove junction box cover and disconnect wires.

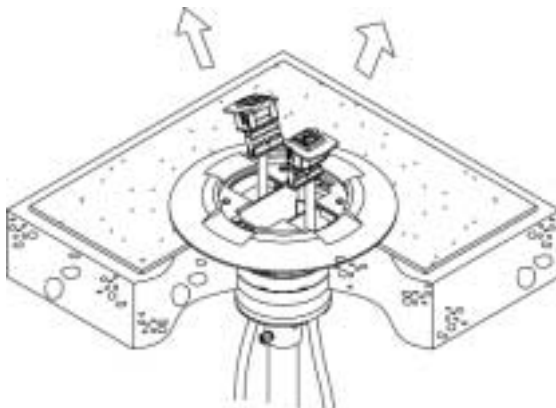


CAUTION: De-energize circuit before removing junction box cover.

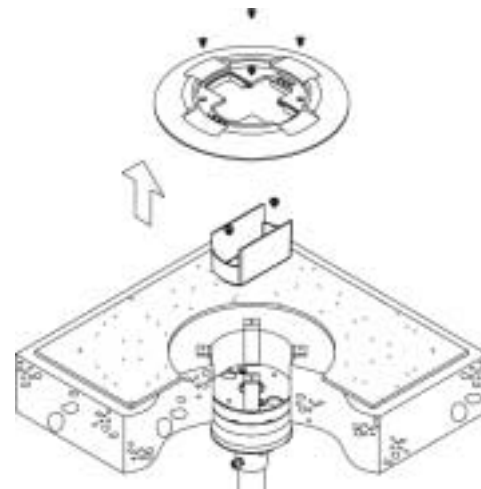
Step 2. Remove slide holder and receptacle.
Lift out receptacle and attached conductors.



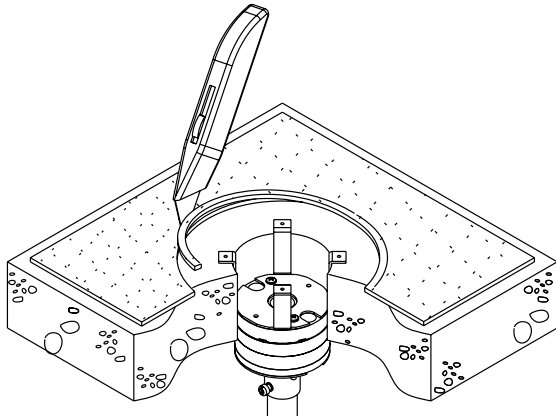
Step 3. Release tabs on communication jacks and lift out. Cut terminations. Existing communication jacks and adapters will not mount in RC7ATC flange.



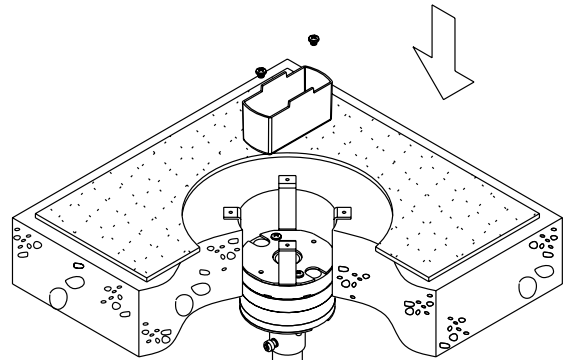
Step 4. Remove four #6-32 flange screws and detach existing flange. Remove two #8-32 screws from plastic receptacle shell and discard.



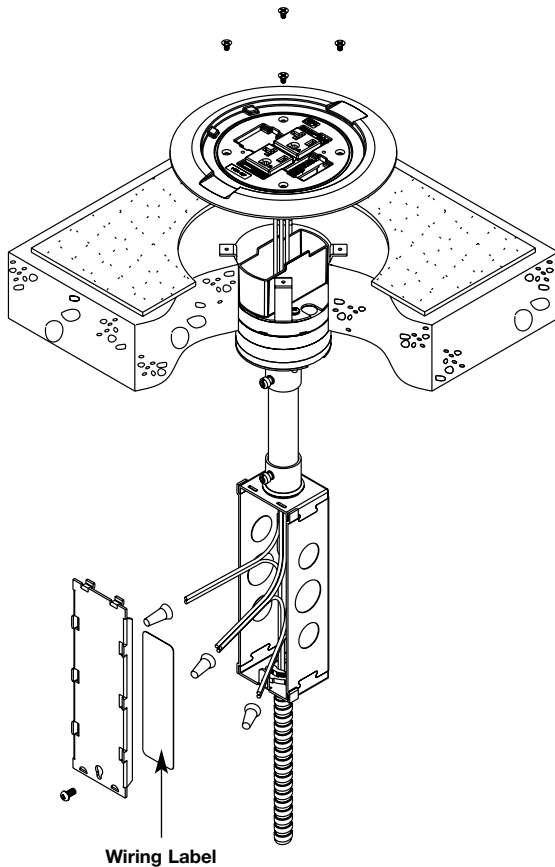
Step 5. Cut existing carpet to 6 1/2" [165mm] diameter surrounding existing hole.



Step 6. Install new receptacle barrier with two #8-32 screws to existing Poke-Thru stem.



Step 7. Insert receptacle conductors into opening and position flange onto stem. Attach flange with four #6-32 screws. Attach wiring label to inside of junction box cover. Reconnect circuit conductors and replace junction box cover. Connect Poke-Thru according to required device configuration (see schematic below).



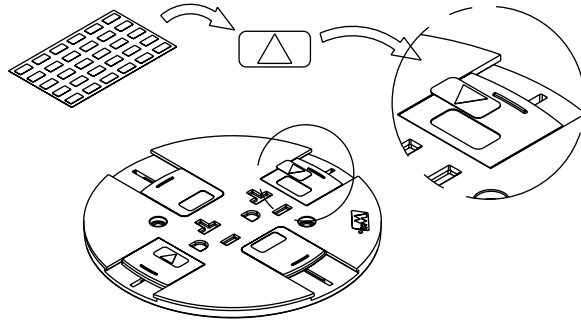
CONVENTIONAL WIRING SCHEMATIC		ISOLATED GROUND WIRING SCHEMATIC	
BLACK or HOT from branch circuit	BLACK from poke-thru receptacle	BLACK or HOT from branch circuit	BLACK from poke-thru receptacle
WHITE or NEUTRAL from branch circuit	WHITE from poke-thru receptacle	WHITE or NEUTRAL from branch circuit	WHITE from poke-thru receptacle
GREEN or GROUND from branch circuit	GREEN from poke-thru receptacle	ISOLATED GROUND from branch circuit	GREEN from poke-thru receptacle
SYSTEM GROUND	GREEN (jumper wire) from poke-thru junction box	GREEN or GROUND from branch circuit	GREEN (jumper wire) from poke-thru junction box
		SYSTEM GROUND	

WARNING: Ground wire from junction box must be connected to SYSTEM GROUND.

CAUTION: Receptacle mounting means not grounded. Grounding wire connection required. For isolated ground wiring, connect ground leads to a separate isolated grounding conductor. See NEC250-146(d).

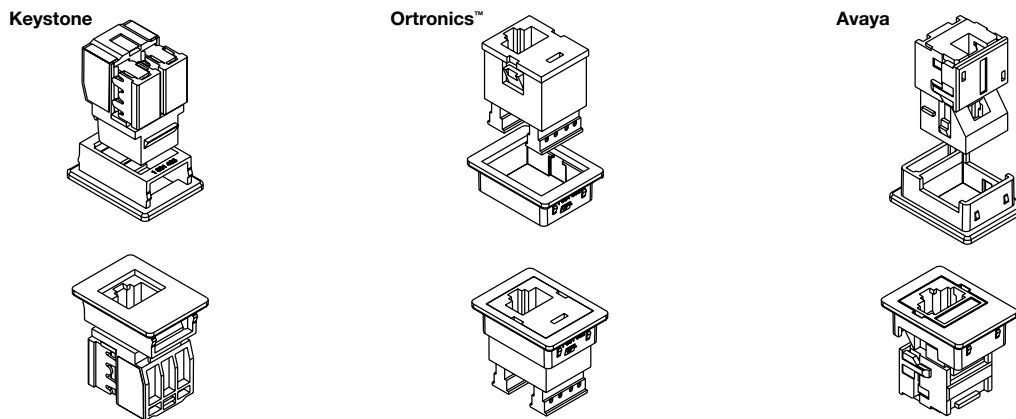
NOTE: Factory supplied junction box shown. Junction boxes must be located in an accessible location. Poke-Thru devices with an "LJB" or "LJB25" suffix are supplied without a junction box (supplied by others).

Step 8. If circuit is connected to an isolated ground, apply IG icon on receptacle slide as shown.



NOTE: The orange triangle shall only be placed on devices that are wired for isolated ground. See NEC 250-146(d).

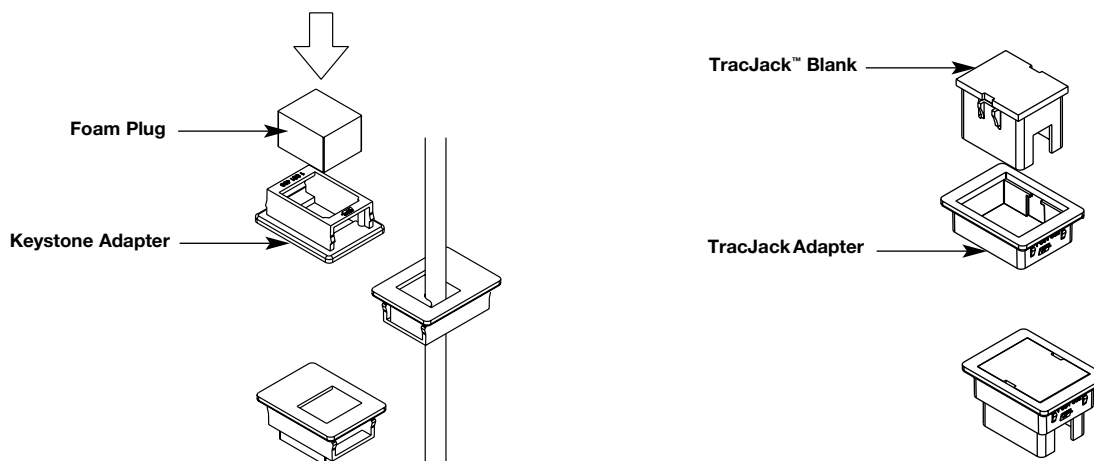
Step 9. Wire and snap the communication jacks into the adapters as shown.



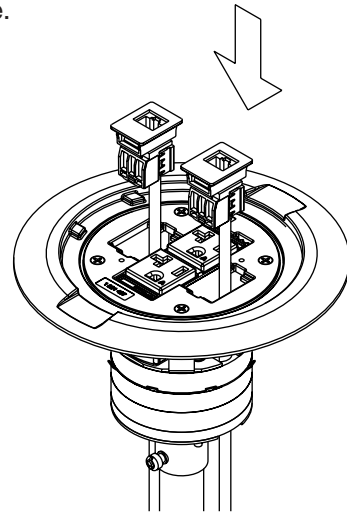
NOTE: To maintain UL Fire Classification, all communication modules or blank inserts (factory or customer supplied) must be UL Listed communication circuit accessories, and must fit securely in the supplied communication brackets with no visible openings between the module and bracket. Supplied foam plugs must be used when passing cables through the communication openings.

Step 10. For cable pass-through or empty communication port, install foam block in keystone adapter. Pass cable through adapter adjacent to foam plug. Close off non-utilized Ortronics adapters with plastic TracJack™ blank.

CAUTION: Empty communication ports must be closed off with foam blocks or TracJack blanks to maintain fire classification.

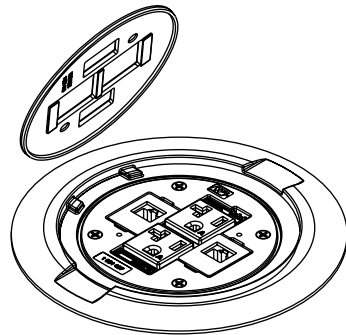


Step 11. Snap communication jacks or communication port plugs into flange.



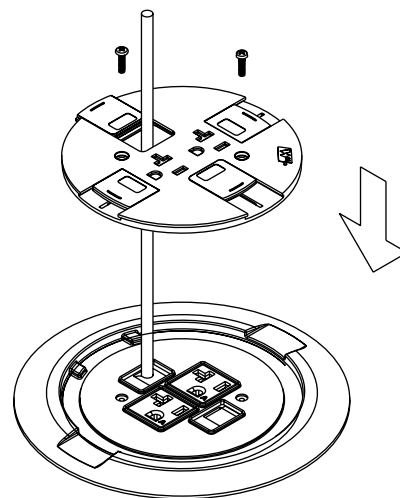
Step 12. Align gasket over receptacle and press bead into flange channel.

CAUTION: Gasket must be set in place to provide scrub water seal.



Step 13. Attach slide cover with two #6-32 screws. Pass-through cabling must pass through internal gasket and data slide.

CAUTION: Do not over tighten cover mounting screws.



The RC7TC Series Poke-Thru Device is UL Listed and Classified to U.S. and Canadian safety standards to the following conditions:

The RC7STC Poke-Thru Stem with the RC7CTC Service Head Fitting or the RC7KTC Conversion Kit Assembly, the RC7ATC factory assembled Poke-Thru device, and the RC7APTC Abandonment Fitting are for use with 1-, 1 1/2-, or 2-hour rated unprotected reinforced concrete floors and 1-, 1 1/2-, or 2-hour rated floors employing unprotected steel floor units and concrete topping (D900 Series Designs), or concrete floors with suspended ceilings. (Fire resistive designs with suspended ceilings should have provisions for accessibility in the ceiling area below the poke-thru fittings).

The assembled Poke-Thru stem and service fitting or the abandonment fittings will not reduce the ratings of the floor assembly when the thickness and type of concrete (required for the specific rating) are within the specified limits and the fittings are installed as specified:

1. **Spacing** – Minimum of 2' [610mm] OC and not more than one unit per 65 sq. ft. [6 sq. m] of floor area in each span.
2. **Concrete** – Minimum thickness of structural concrete topping of 2 1/4" [57mm] over metal deck or a minimum 3" [76mm] thick reinforced concrete slab. Unit weight of concrete to be 110 to 155 pcf.
3. **Installation** – Mounted in a 3" [76mm] diameter core-drilled hole in concrete per installation instructions accompanying the fittings or abandonment fittings. For use with power circuits and communication cables as tabulated below:

POKE-THRU FITTING TYPE	SERVICE FITTING TYPE	POWER CONDUCTORS (A)	COMMUNICATION CONDUCTORS (B)
RC7ATC	-	3 (.01536 sq in.) [9.9103mm ²]	16 (.00800 sq. in.) [5.162mm ²]
RC7STC	RC7CTC	3 (.01536 sq in.) 9.9103mm ²]	16 (.00800 sq. in.) [5.162mm ²]
RC7STC	RC7KTC	3 (.01536 sq in.) 9.9103mm ²]	16 (.00800 sq. in.) [5.162mm ²]

The "TC" suffix letters indicate that device may be installed on tile or carpet covered concrete floors. All catalog numbers may have a "TJ" suffix to indicate units supplied with Ortronics, Inc. communication modules and accessories. The "LJB" suffix letters indicate units supplied without a junction box. The "25" suffix numbers indicate units supplied with 25 foot receptacle leads.

- (A) Maximum number of No. 12 AWG Type THHN conductors in power compartment of Poke-Thru fitting.
- (B) Maximum number of 22 AWG conductors in low voltage compartment of poke-thru fitting (4-pair cables have (8) conductors). When conductors larger than No. 22 AWG are used, the aggregate cross-sectional area of the copper conductors shall not exceed the aggregate cross-sectional area of the 22 AWG conductors permitted in the low voltage compartment.

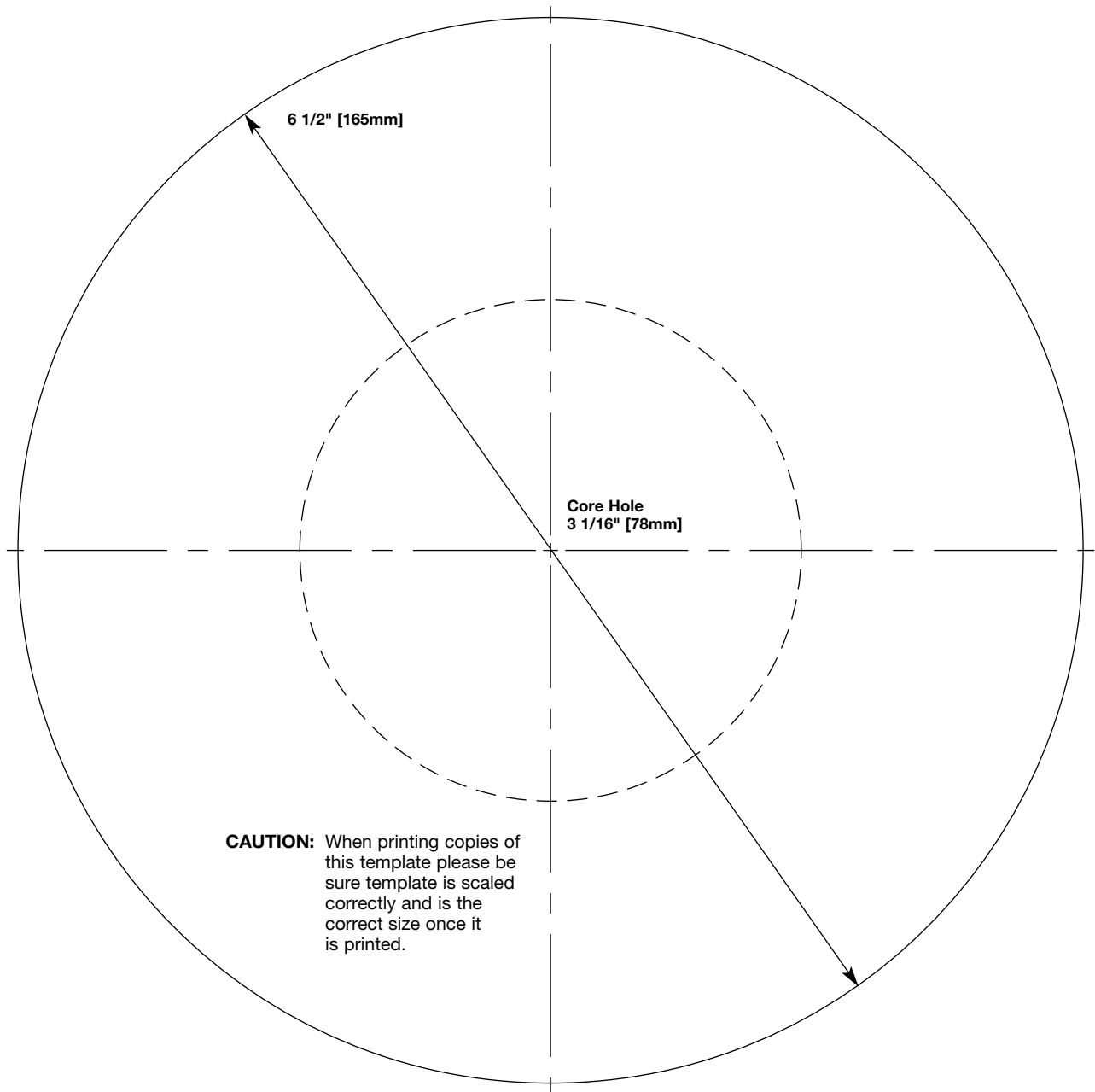
Copper Cross Sectional Area of Commonly Used Conductors	
Size	Solid
#24	.00032 sq. in. [.20645mm ²]
#22	.00050 sq. in. [.32258mm ²]
#14	.00323 sq. in. [2.08386mm ²]
#12	.00512 sq. in. [3.30321mm ²]
#10	.00815 sq. in. [5.25805mm ²]
# 8	.01296 sq. in. [8.36127mm ²]

NOTE: Use above values for solid or stranded conductors.

For use on carpet covered and tile floors up to 3/4" [19.1mm] thick.

CAUTION: Receptacle supplied with this poke-thru is not suitable for direct field wiring. Contact manufacturer for replacement. Field modifications will void UL Listing and Classification. Replacement receptacle is limited to this manufacturers' Catalog No. RC37REC or RC37REC-25.

CARPET CUTOUT TEMPLATE



The Wiremold Company
U.S. and International:
60 Woodlawn Street • West Hartford, CT 06110
1-800-621-0049 • FAX 860-232-2062 • Outside U.S.: 860-233-6251
Canada:
850 Gartshore Street • Fergus, Ontario N1M 2W8
1-800-741-7957 • FAX 519-843-5980

