



Walker® Infloor Systems

# RC9AMD Poke-Thru Series INSTALLATION INSTRUCTIONS

Installation Instruction No.: 1 002 956 – March 2003

Walker® electrical systems conform to and should be properly grounded in compliance with requirements of the current National Electrical Code or codes administered by local authorities.

All electrical products may present a possible shock or fire hazard if improperly installed or used. Walker electrical products may bear the mark as UL Listed and/or Classified and should be installed in conformance with current local and/or the National Electrical Code.

**IMPORTANT: Please read all instructions before beginning.**

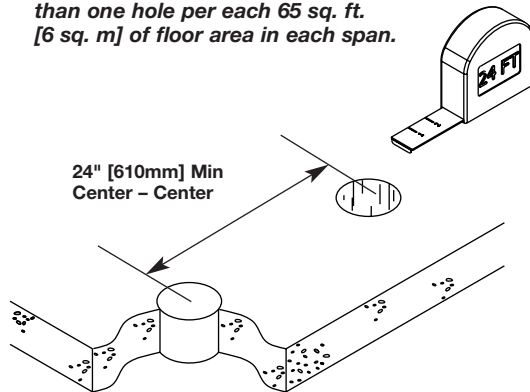
**Products Covered:** RC9AM2STC, RC9AMDTC, RC9AMDRTTTC, RC9CMDTC, RC9CMDRTTC, & RC9SHMDTC

**CAUTION:** Do Not operate tile stripper or resurfacing equipment over top of covers. This may result in damage to the surface finish of the product.

Suitable for use in air handling spaces in accordance with Sec. 300-22 (C) of the National Electrical Code.

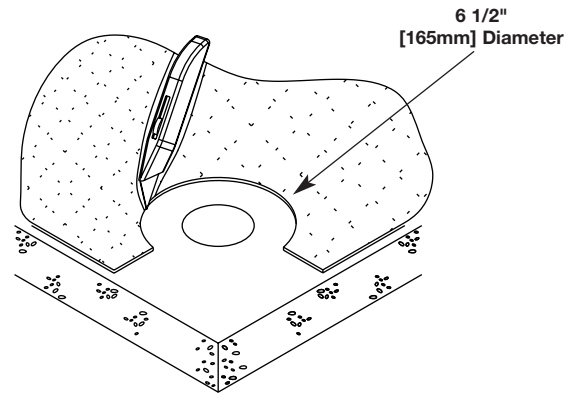
## Step 1 Layout and locate position of hole(s).

**CAUTION:** Holes shall be spaced a minimum of 2' [610mm] on center and not more than one hole per each 65 sq. ft. [6 sq. m] of floor area in each span.



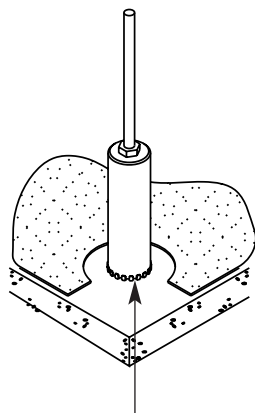
**NOTE:** Be certain to drill hole at least 4" [102mm] from any wall or pillar to leave enough room for poke-thru cover assembly.

## Step 2 Remove 6 1/2" [165mm] section from carpet or tile. Use template provided.



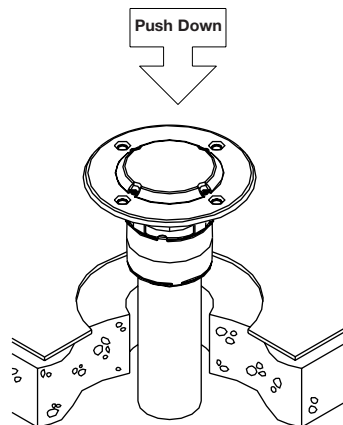
**NOTE:** For tile installations up to a maximum of 3/4" [19.1 mm] thick. For tile thickness greater than 3/4" [19.1mm] consult factory.

## Step 3 Core drill hole.



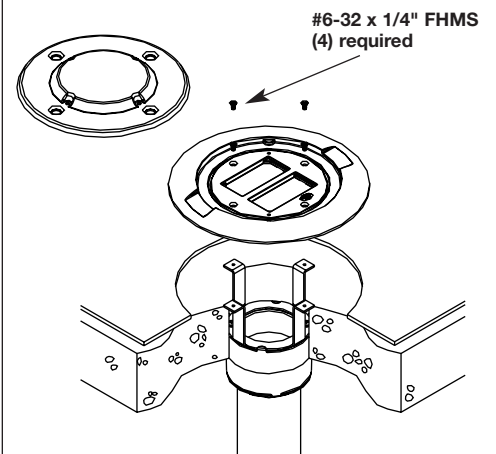
3" [76mm] Diameter Core Drill  
3 1/16" [78mm] Actual Diameter

## Step 4 Stem Assembly Catalog No. RC9AM2STC Insert stem into hole.

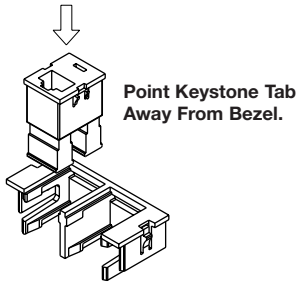


**CAUTION:** Poke-thru cannot be rotated in hole after insertion into floor.

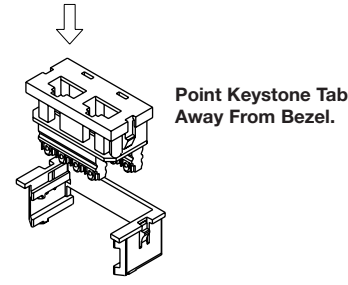
## Step 5 Cover Assembly Catalog No.: RC9CMDTC Remove disposable plate and replace with carpet/tile flange. Install with (4) #6-32 x 1/4" [6.4mm] FHMS



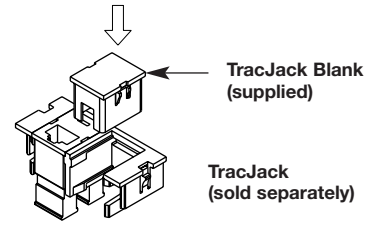
**Step 6** Wire communication jacks and snap into adapter bezel.



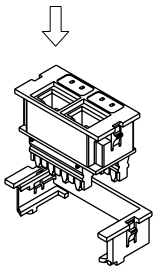
Ortronics TracJack Bezel and Communication Jack (TracJack Modular Inserts sold separately)



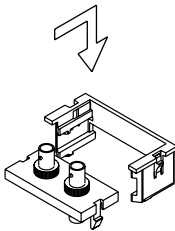
Ortronics Series II Bezel and Communication Jack (Series II Bezel Included; Series II Modular Inserts sold separately)



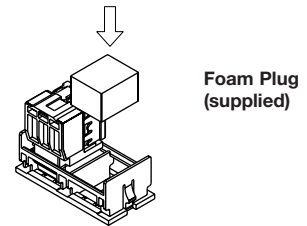
Communication Jack (sold separately)



Pass & Seymour ACTIVATE Bezel and Communication Jack



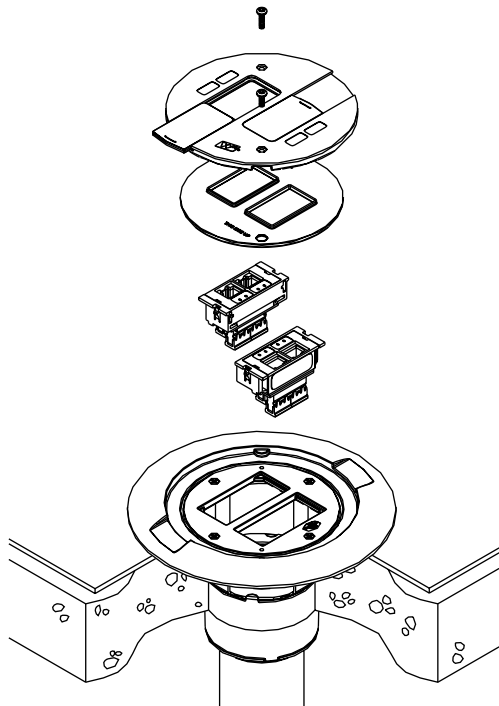
Lower Level Bezel Installation (Typical for Fiber Installations) (Fiber Jack sold separately)



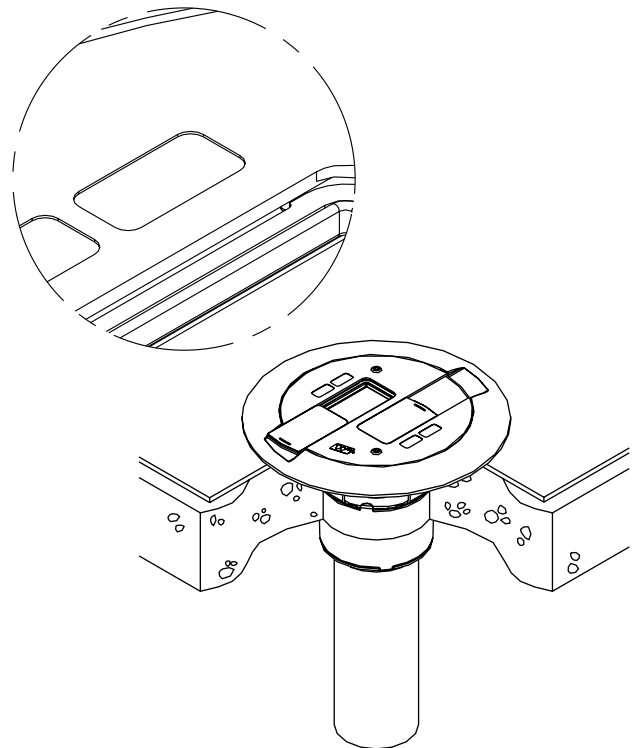
Foam Plug (supplied)

**CAUTION:** Empty communication ports must be closed off with foam blocks or TracJack blanks to maintain UL fire classification.

**Step 7** Snap communication jacks with bezels into trim flange. Install gasket and attach the slide cover with two #6-32 screws.



**Step 8** Apply icon to slide cover to label communication circuit.



**The RC9AMDTC Series Poke-Thru Device is UL Listed and Classified to U.S. and Canadian safety standards to the following conditions:**

The RC9AM2STC Poke-Thru Stem with the RC9CMDTC Service Head Fitting, the RC9AMDTC factory assembled poke-thru device, and the RC9APTC Abandonment Fitting are for use with 1-, 1 1/2-, or 2-hour rated unprotected reinforced concrete floors and 1-, 1 1/2-, or 2-hour rated floors employing unprotected steel floor units and concrete topping (D900 Series Designs), or concrete floors with suspended ceilings. (Fire resistive designs with suspended ceilings should have provisions for accessibility in the ceiling area below the poke-thru fittings).

The assembled poke-thru stem and service fitting or the abandonment fittings will not reduce the ratings of the floor assembly when the thickness and type of concrete (required for the specific rating) are within the specified limits and the fittings are installed as specified:

1. **Spacing** – Minimum of 2' [610mm] OC and not more than one unit per 65 sq. ft. [6 sq. m] of floor area in each span.
2. **Concrete** – Minimum thickness of structural concrete topping of 2 1/4" [57mm] over metal deck or a minimum 3" [76mm] thick reinforced concrete slab. Unit weight of concrete to be 110 to 155 pcf.
3. **Installation** – Mounted in a 3" diameter core-drilled hole in concrete per installation instructions accompanying the fittings or abandonment fittings. For use with power circuits, data and/or telephone cables as tabulated below:

| POKE-THRU FITTING TYPE | SERVICE FITTING TYPE | COMMUNICATION CONDUCTORS (A)                    |
|------------------------|----------------------|---|
| RC9AMDTC               | –                    | 32<br>(.01600 sq. in.) [10.324mm <sup>2</sup> ] |
| RC9AMSTC               | RC9CMDTC             | 32<br>(.01600 sq. in.) [10.324mm <sup>2</sup> ] |

The “TC” suffix letters indicate that device may be installed on tile or carpet covered concrete floors. All catalog numbers may have a “RT” suffix to indicate units supplied with Ortronics, Inc. communication modules and accessories.

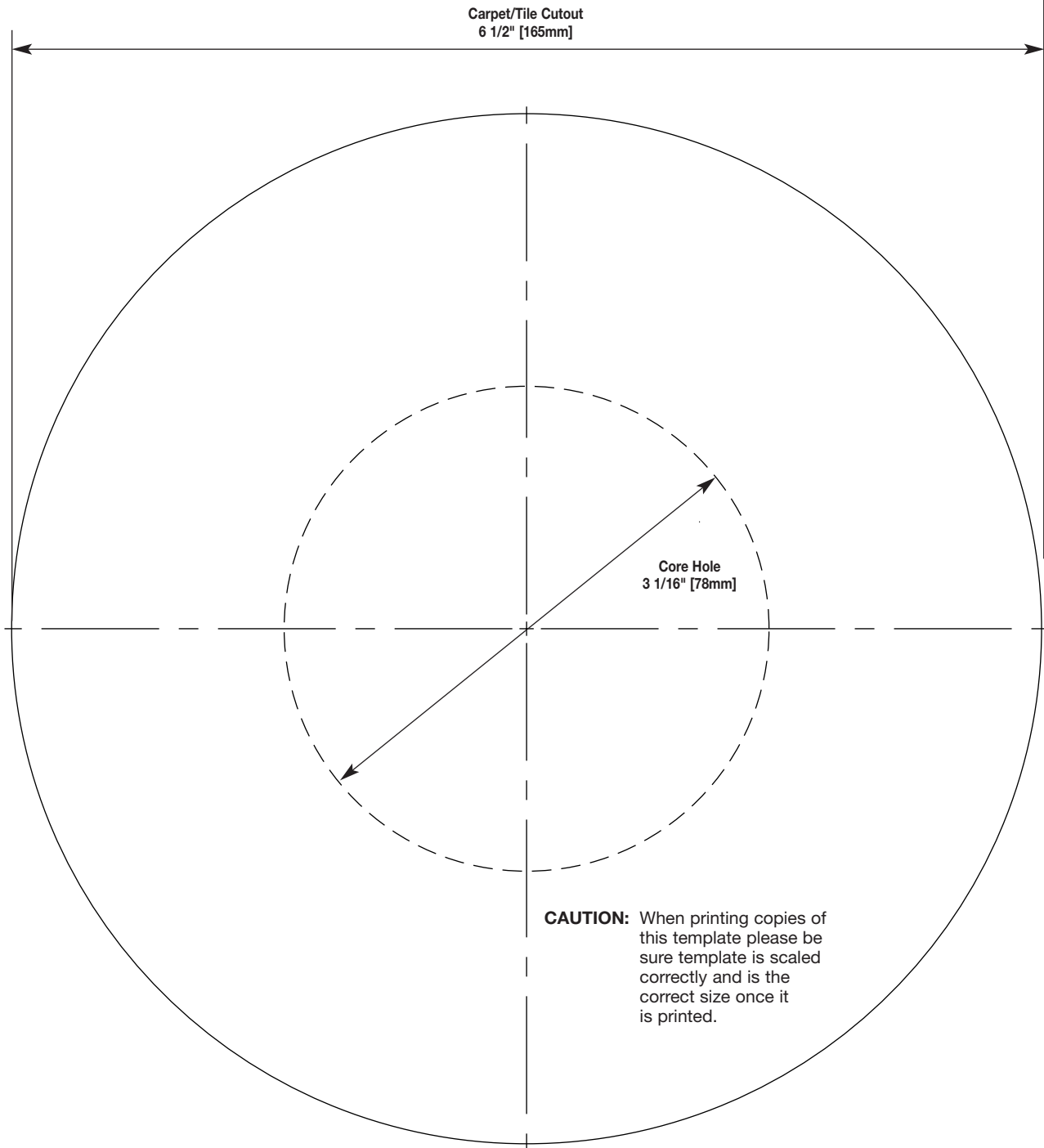
- (A) Maximum number of 22 AWG conductors in low voltage compartment of poke-thru fitting (4-pair cables have (8) conductors). When conductors larger than No. 22 AWG are used, the aggregate cross-sectional area of the copper conductors shall not exceed the aggregate cross-sectional area of the 22 AWG conductors permitted in the low voltage compartment.

| COPPER CROSS SECTIONAL AREA OF COMMONLY USED CONDUCTORS |  |
|---|--|
| SIZE  | SOLID                                    |
| #24   | .00032 sq. in. [.20645mm <sup>2</sup> ]  |
| #22   | .00050 sq. in. [.32258mm <sup>2</sup> ]  |
| #14   | .00323 sq. in. [2.08386mm <sup>2</sup> ] |
| #12   | .00512 sq. in. [3.30321mm <sup>2</sup> ] |
| #10   | .00815 sq. in. [5.25805mm <sup>2</sup> ] |
| # 8   | .01296 sq. in. [8.36127mm <sup>2</sup> ] |

**NOTE:** Use above values for solid or stranded conductors.

**For use on carpet covered and tile floors up to 3/4" [19.1mm] thick.**

## Carpet/Tile Cutout Template



**W WIREMOLD®**  
**Walker® Infloor Systems**

**The Wiremold Company**

U.S. and International:

60 Woodlawn Street • West Hartford, CT 06110

1-800-621-0049 • FAX 860-232-2062 • Outside U.S.: 860-233-6251

Canada:

850 Gartshore Street • Fergus, Ontario N1M 2W8

1-800-741-7957 • FAX 519-843-5980

