

WIREMOLD

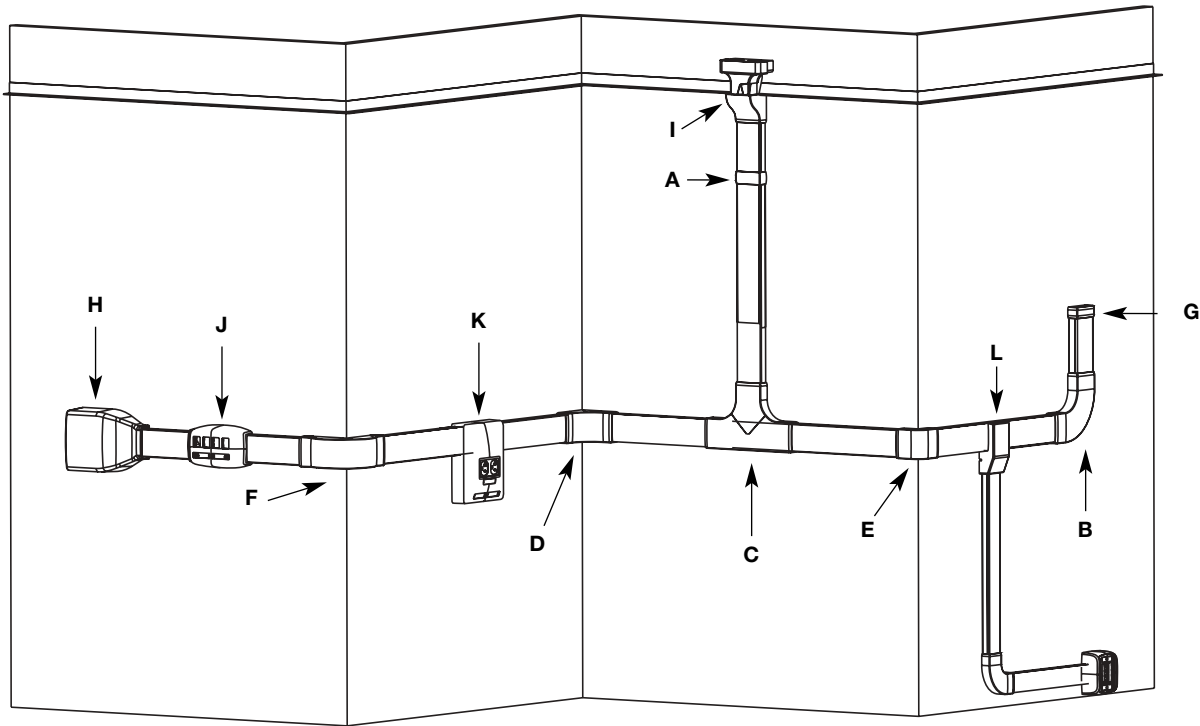


PN20A08 Nonmetallic Raceway INSTALLATION INSTRUCTIONS

Installation Instruction No.: 42024R1 – Updated July 2005

Wiremold Electrical Systems conform to and should be installed and properly grounded in compliance with requirements of the current National Electrical Code, Canadian Electrical Code or codes administered by local authorities.

All electrical products may represent possible shock or fire hazard if improperly installed or used. Wiremold electrical products are UL listed. Made for interior use only and should be installed in conformance with current local and/or the National Electrical Code.

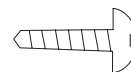
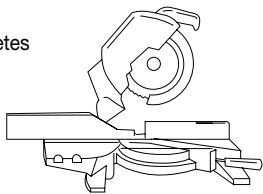


- A PN20F06 – Wire Clip
- B PN20F11 – Flat Elbow
- C PN20F15 – Tee Fitting
- D PN20F17 – 90° Internal Elbow
- E PN20F18 – 90° External Elbow
- F PN20F19 – 90° External Data Elbow
- G PN20F20 – Blank End
- H PN20F21 – Entrance End Fitting
- I PN20F86 – Ceiling Connector

- J PIB20CM – Communication Box
- PIB20TJ – Communication Box
- PIB20S20 – Communication Box
- K PMBD20CM – Power & Communication Box
- PMBD20S2 – Power & Communication Box
- PMBD20TJ – Power & Communication Box
- PMBR20CM – Power & Communication Box
- PMBR20S2 – Power & Communication Box
- PMBR20TJ – Power & Communication Box
- L PN20F74 – Transition Fitting

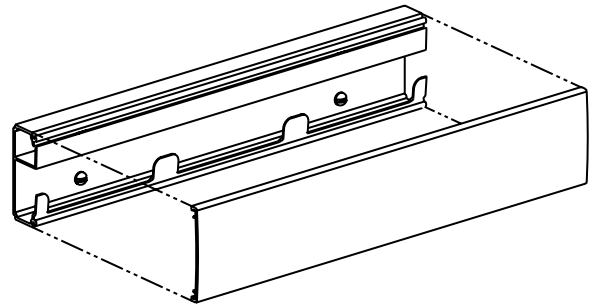
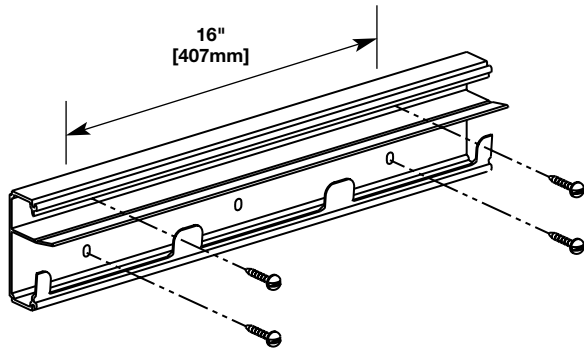
Recommended Cutting Tools & Fasteners* Herramientas de corte y sujetadores recomendados* Outil de coupe et attaches recommandés*

Miter Saw
Use una sierra de ingletes
Scie à onglet



* Not supplied.
No se incluye(n).
Non fournis.

Use a #8 [5/16", 7.9mm Head Size] Pan Head Screw or equivalent.
Use un tornillo de cabeza redonda N° 8 (con cabeza de 7.9mm [5/16"] o equivalente).
Utilisez une vis BER n°8 (tête de 7,9mm [5/16 po]) ou équivalent.



PN20 RACEWAY WIRE FILL CAPACITIES FOR POWER

WIRE SIZE THHN/THWN	O.D.		NUMBER OF CONDUCTORS	
	Inches	[mm]	1/3 COMPARTMENT	2/3 COMPARTMENT
14 AWG	0.111	[2.8]	14	20
12 AWG	0.130	[3.3]	12	16
10 AWG	0.164	[4.2]	8	15

PN20 RACEWAY WIRE FILL CAPACITIES FOR DATA/COMMUNICATIONS

	CABLE/WIRE SIZE	O.D.		SMALL CHANNEL		LARGE CHANNEL	
		Inches	[mm]	20% Fill*	40% Fill**	20% Fill*	40% Fill**
UNSHIELDED TWISTED PAIR	4-pair, 24AWG Cat 3 UTP	0.190	[4.8]	3	7	7	15
	4-pair, 24AWG Cat 5e UTP	0.210	[5.3]	3	6	6	12
	4-pair, 24AWG Cat 6 UTP	0.250	[6.3]	2	4	4	9
TELEPHONE	2-pair, 24AWG	0.140	[3.6]	7	14	14	28
	3-pair, 24AWG	0.150	[3.8]	6	12	12	25
	4-pair, 24AWG	0.190	[4.8]	3	7	7	15
	25-pair, 24AWG	0.410	[10.4]	0	1	1	3
COAXIAL	RG58/U	0.195	[5.0]	3	7	7	14
	RG59/U	0.242	[6.1]	2	4	4	9
	RG62/U	0.242	[6.1]	2	4	4	9
	RG6/U	0.270	[6.9]	1	3	3	7
THINAXIAL	100 Ohm	0.330	[8.4]	1	2	2	5
SHIELDED TWISTED PAIR	TYPE 1	0.390	[9.9]	0	1	1	3
	TYPE 2	0.465	[11.8]	0	1	1	2
	TYPE 3	0.245	[6.2]	2	4	4	9
FIBER OPTIC	2 Strand	0.180	[4.6]	9	18	17	35
	4 Strand	0.190	[4.8]	4	8	7	15
	6 Strand	0.210	[5.3]	4	8	8	16
	Fiber Zip Cord	0.110	[2.8]	2	4	4	8

* 20% cable fill is calculated to approximate reduction in cable capacity due to connectors mounted within raceway and fittings that may restrict cross sectional area.

** 40% cable fill is the maximum designated cable fill based on TIA/EIA 569-A.

WIREMOLD



Wiremold / Legrand

U.S. and International:

60 Woodlawn Street • West Hartford, CT 06110

1-800-621-0049 • FAX 860-232-2062 • Outside U.S. 860-233-6251

Canada:

570 Applewood Crescent • Vaughan, Ontario L4K 4B4

1-800-723-5175 • FAX 905-738-9721

